



1. GENERAL RECOMMENDATIONS

External venetian blind installation can only be performed by a trained installation team. It is necessary to comply with occupational health and safety regulations, in particular concerning the safety of electrical equipment and work at heights.

Do not attempt to alter or modify the product without authorization; otherwise your product warranty will be void and the product may become a hazard of injury or death. Have all repairs done by a qualified technical service provider of the vendor or its authorized reseller.

For installation, use:

- If the installation is performed to the reinforced concrete lintel or on a solid brick - use rawplugs $\varnothing 6 \div 8$ mm.
- If the installation is performed to a wall made of porous materials - use suitable installation systems for this type of walls.
- If the installation is performed to the walls made of cavity brick or aerated concrete, etc. - use plugs for cavity brick.

Installation conditions:

- For walls - perform an installation to even surfaces of a proper durability, made in accordance with effective regulations of Building Law
- For metal constructions - perform an installation to materials with a proper thickness of walls joined with one another in accordance with effective rules of metalworking.

Preparation works:

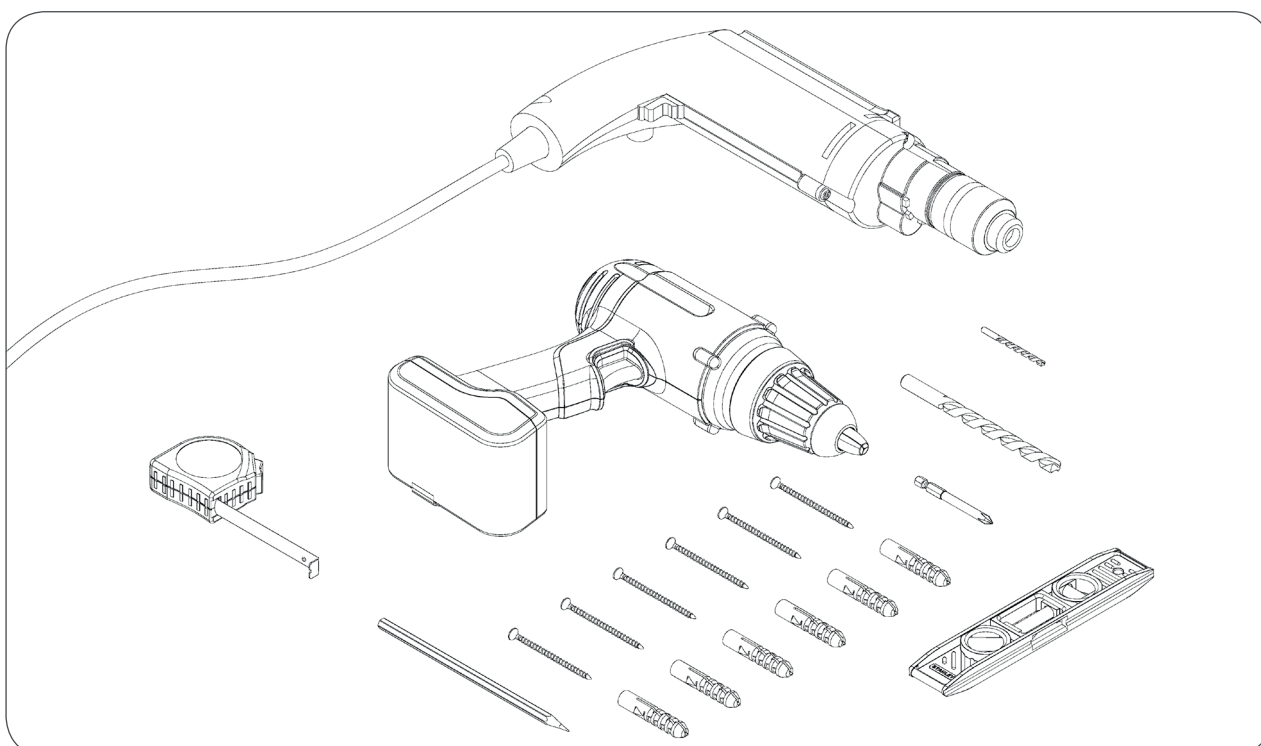
Unloading, stacking and storage of venetian blinds elements should be carried out with the necessary precautions. The venetian blind on site must be delivered complete, in accordance with the order.

Before starting installation works it is necessary to check:

- quantity and quality of delivered components in accordance with the enclosed specification,
- external dimensions of the blinds,
- width of the jamb opening
- height of the jamb opening
- diagonals of the jamb opening

 *The installation methods of the venetian blinds presented in the manual are only examples.*

2. INSTALLATION TOOLS

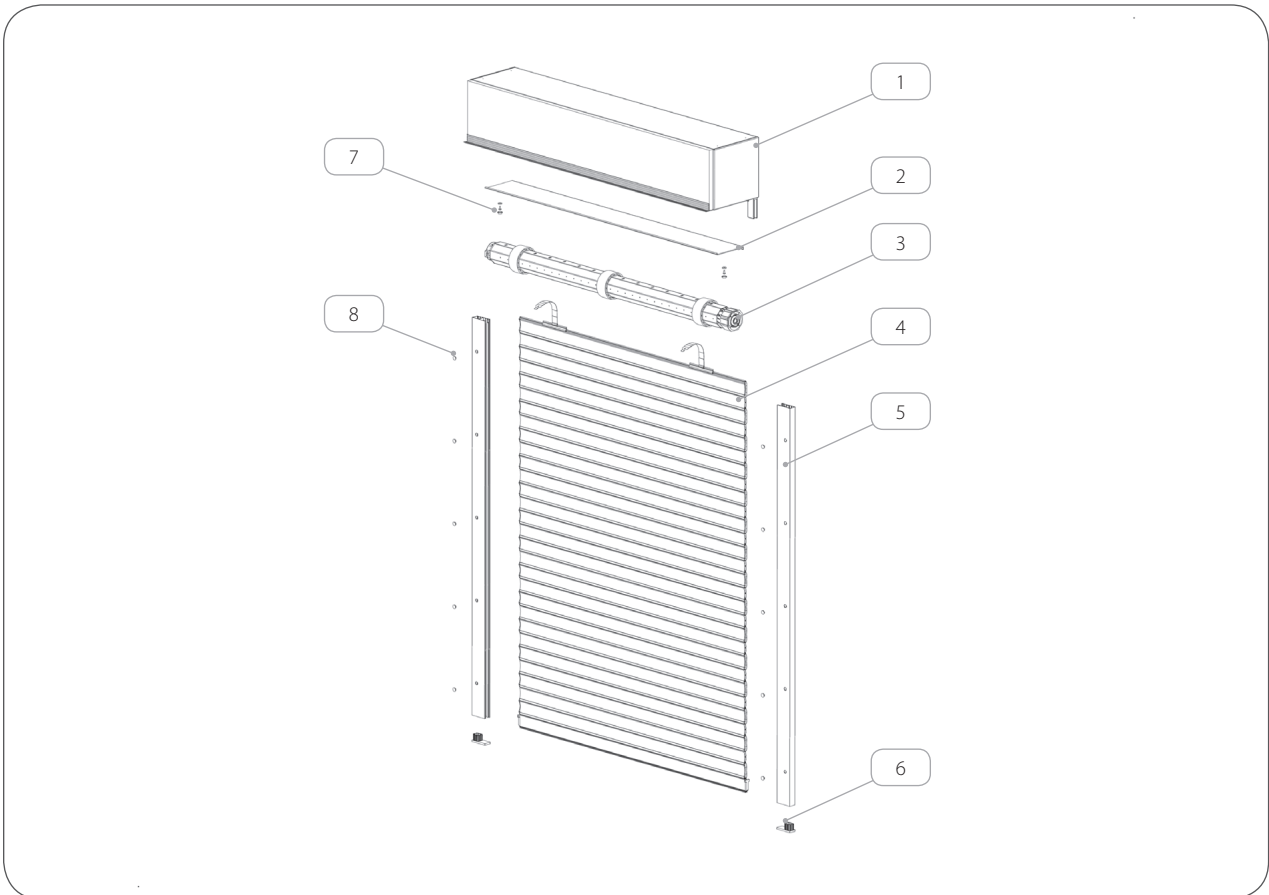


3. PRE-ASSEMBLY WORK

3.1. List of components

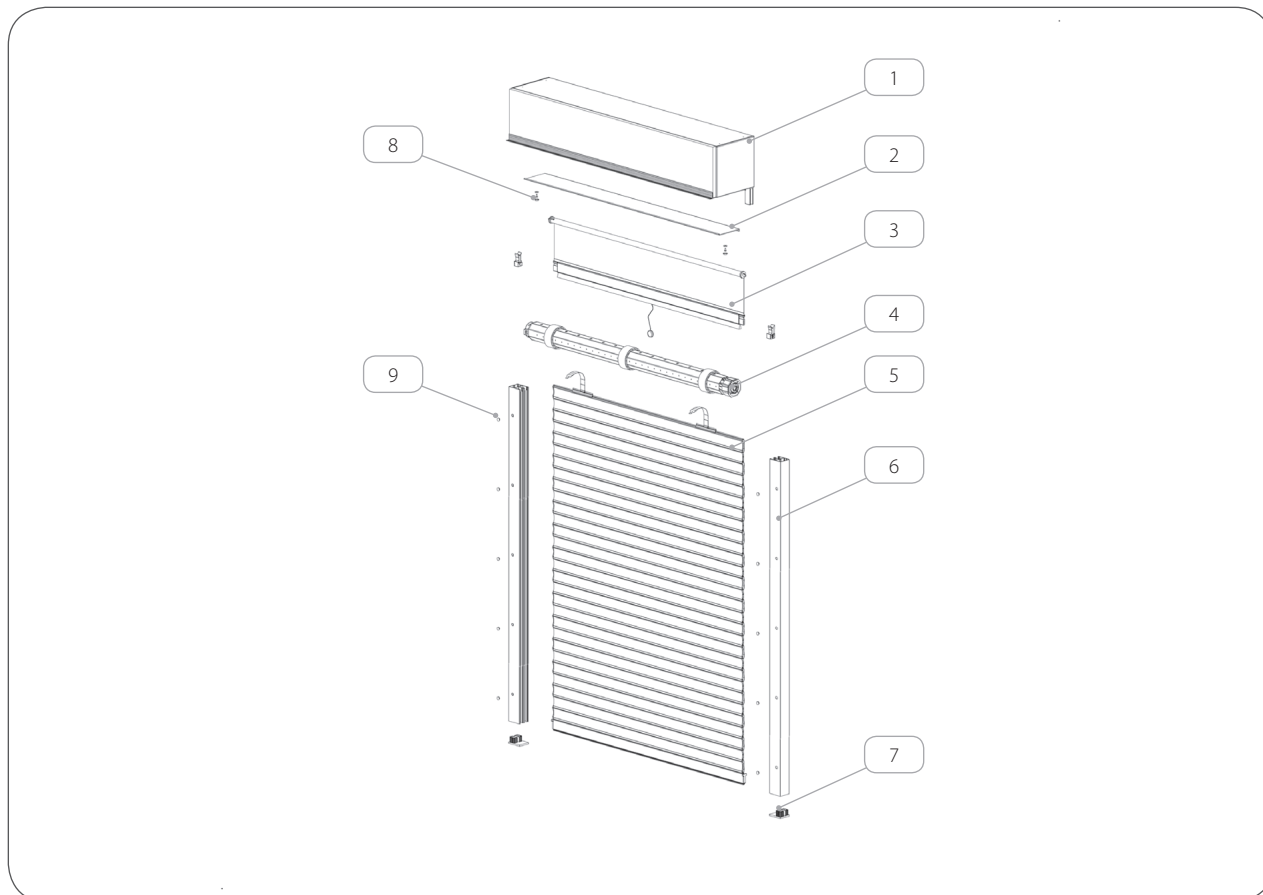
3.1.1. SP system

 Before the installation it is necessary to unpack the item and check its quantity and quality.



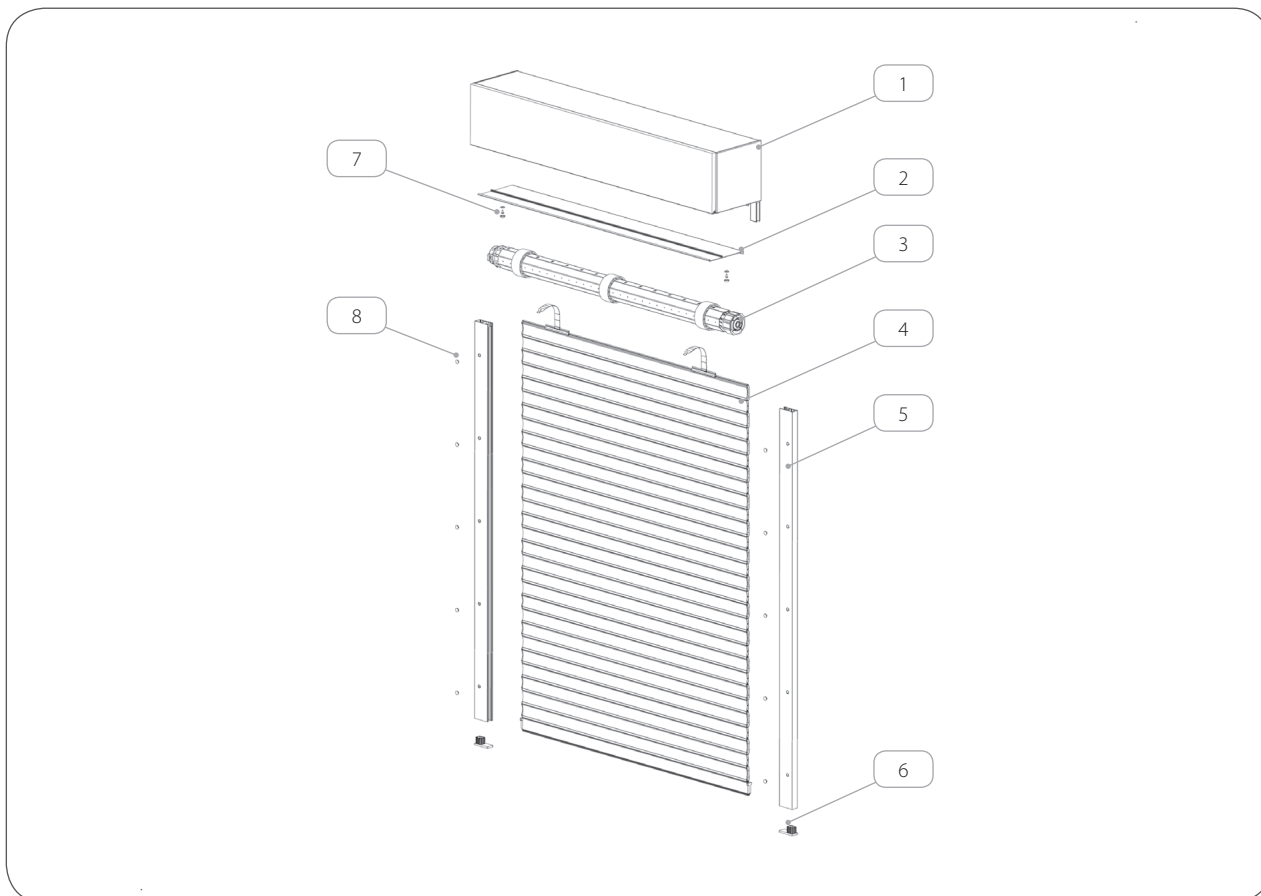
	Name of the component	Catalogue code
1.	Assembled box SP	
2.	Revision flap	SP90PR
3.	Equipped reel	
4.	Assembled curtain	
5.	Guide channel	
6.	Guide channel side lock	
7.	PVC cap with cover + Galvanized screw 3,9 x 9,5 mm	ZPK 10 + WKR/Zn/W/3,9x9,5
8.	PVC cap	

3.1.2. SP with MOSKITO system



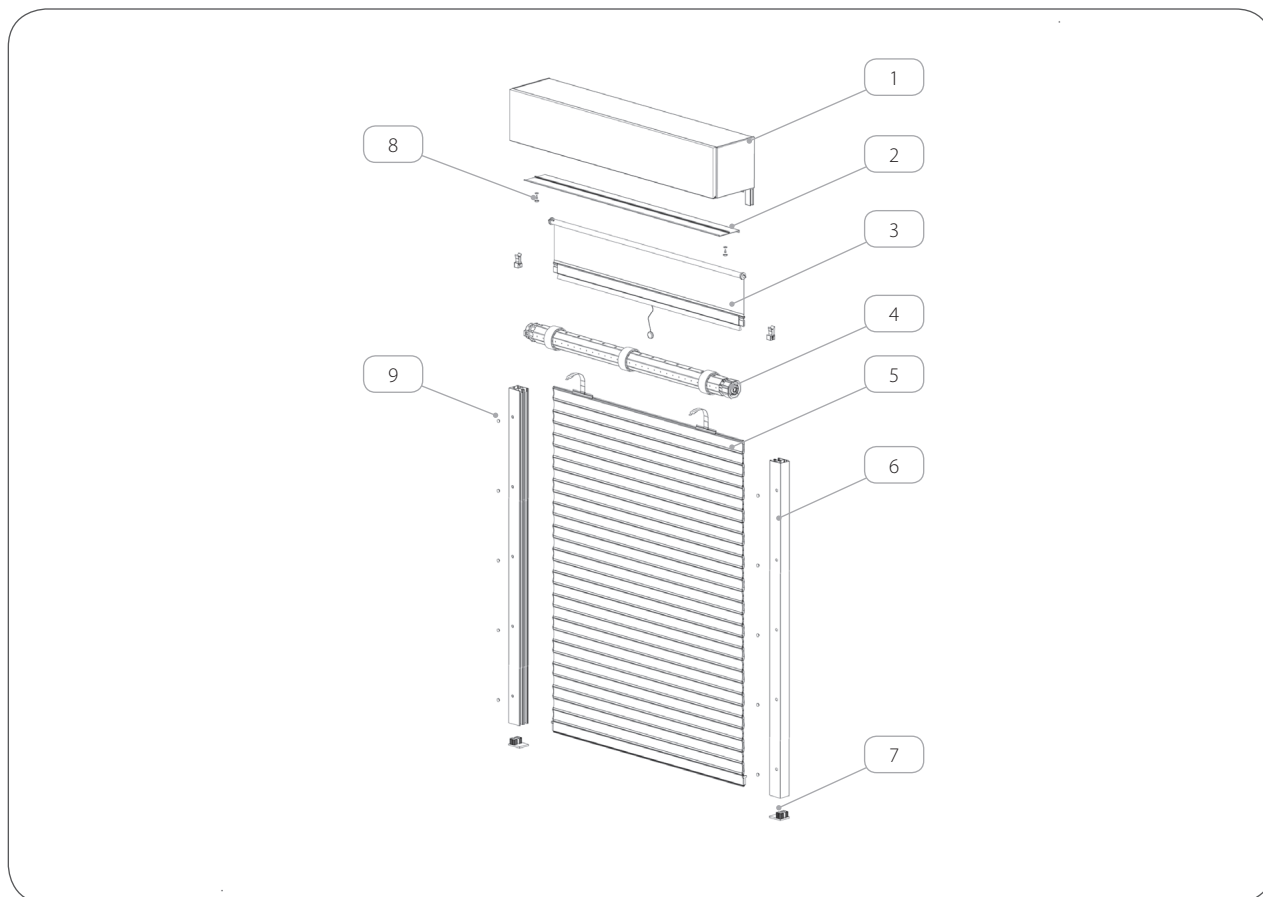
	Name of the component	Catalogue code
1.	Assembled box SP	
2.	Revision flap	SP90PR
3.	Moskito set	ZMKT
4.	Equipped reel	
5.	Assembled curtain	
6.	Guide channel	
7.	Guide channel side lock	
8.	PVC cap with cover + Galvanized screw 3,9 x 9,5 mm	ZPK 10 + WKR/Zn/W/3,9x9,5
9.	PVC cap	

3.1.3. SP-E system



	Name of the component	Catalogue code
1.	Assembled box SP-E	
2.	Revision flap	SP90PR-E
3.	Equipped reel	
4.	Assembled curtain	
5.	Guide channel	
6.	Guide channel side lock	
7.	PVC cap with cover + Galvanized screw 3,9 x 9,5 mm	ZPK 10 + WKR/Zn/W/3,9x9,5
8.	PVC cap	

3.1.4. SP-E with MOSKITO system



	Name of the component	Catalogue code
1.	Assembled box SP-E	
2.	Revision flap	SP90PR-E
3.	Moskito set	ZMKT
4.	Equipped reel	
5.	Assembled curtain	
6.	Guide channel	
7.	Guide channel side lock	
8.	PVC cap with cover + Galvanized screw 3,9 x 9,5 mm	ZPK 10 + WKR/Zn/W/3,9x9,5
9.	PVC cap	

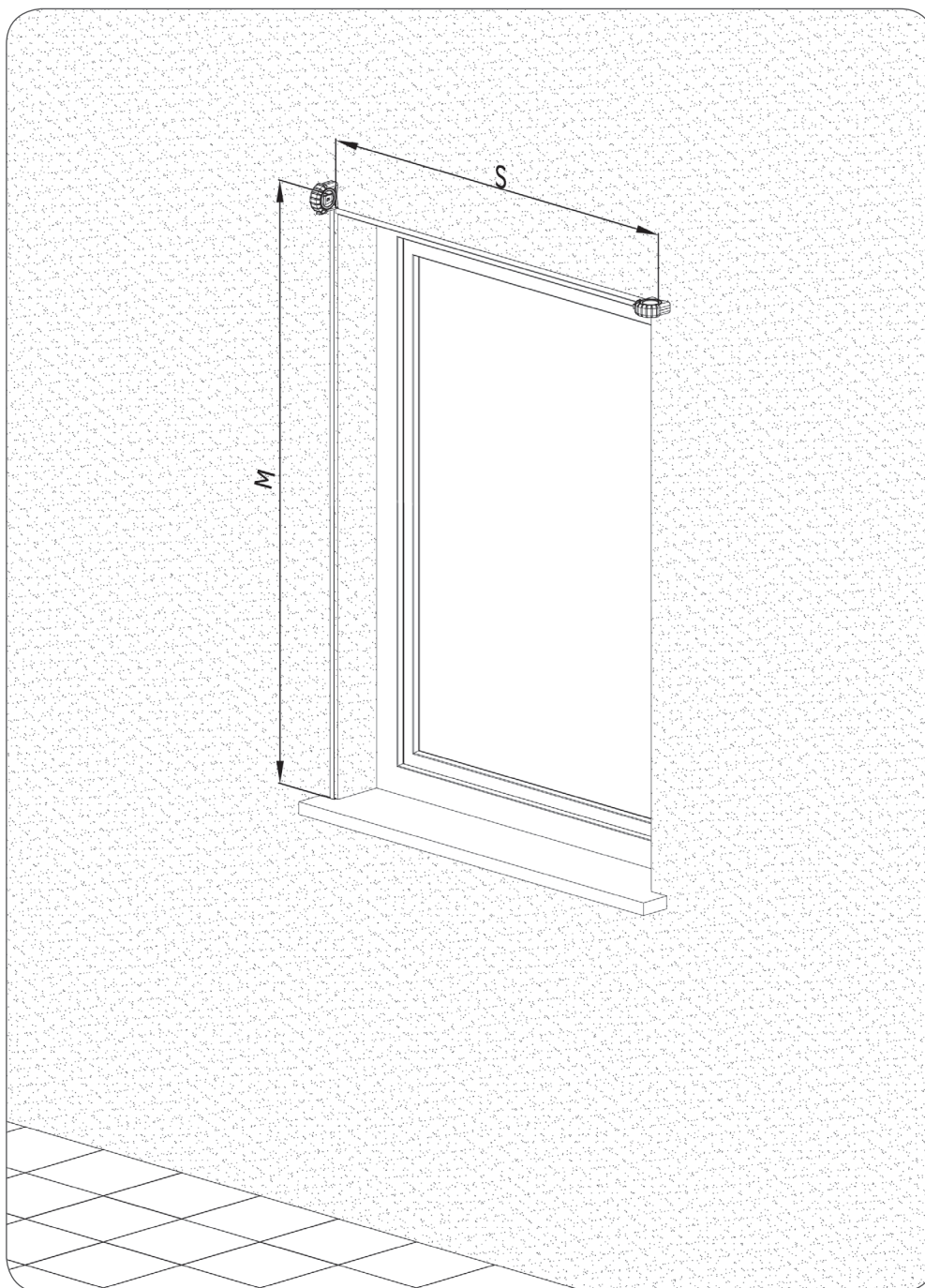
3.2. Dimensioning

Where:

S - RECESS WIDTH

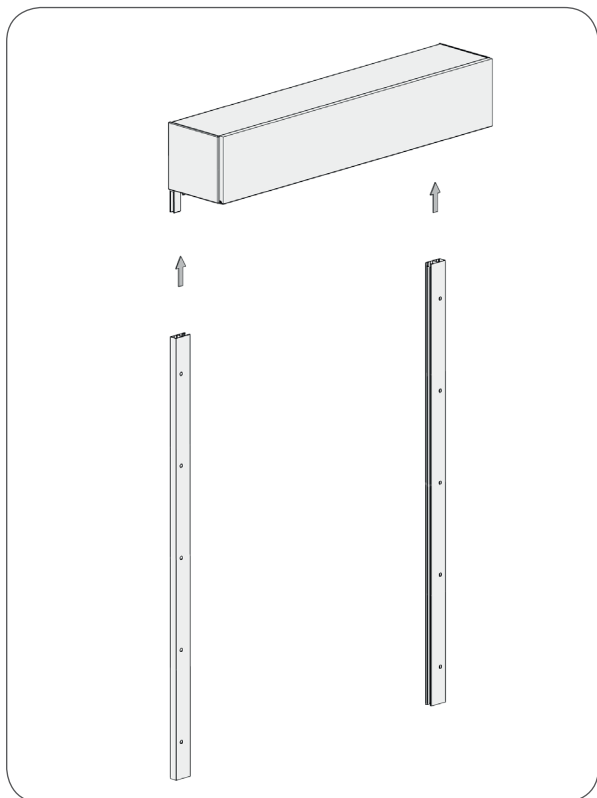
M - RECESS HEIGHT

⚠ Check the dimensions compliance of the roller shutter installation place.

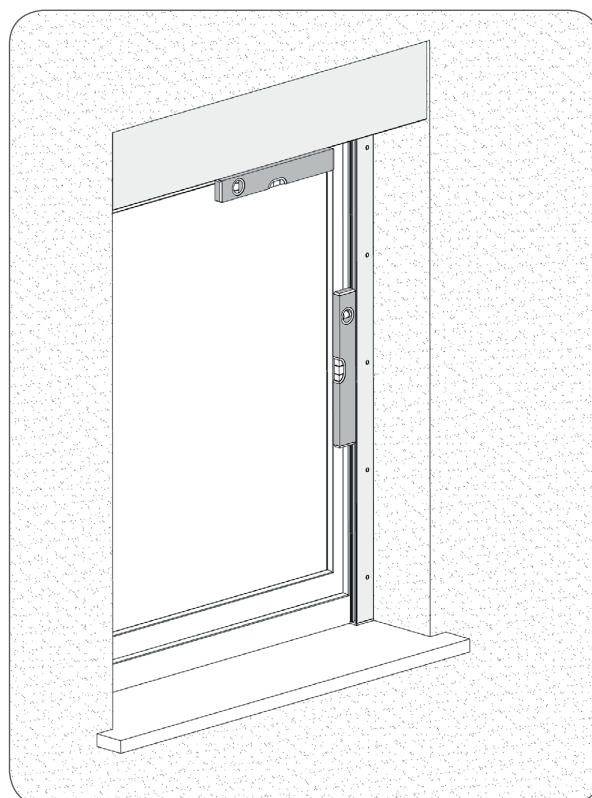
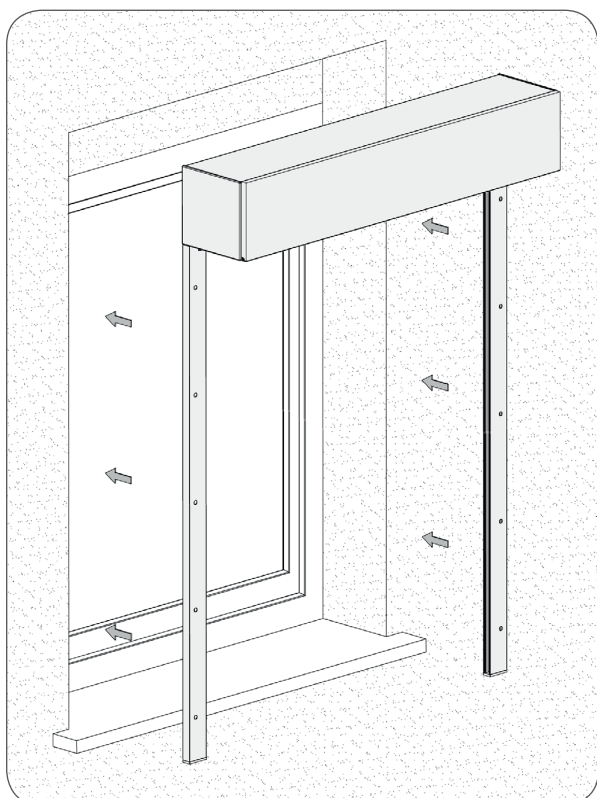


4. INSTALLATION SCHEME

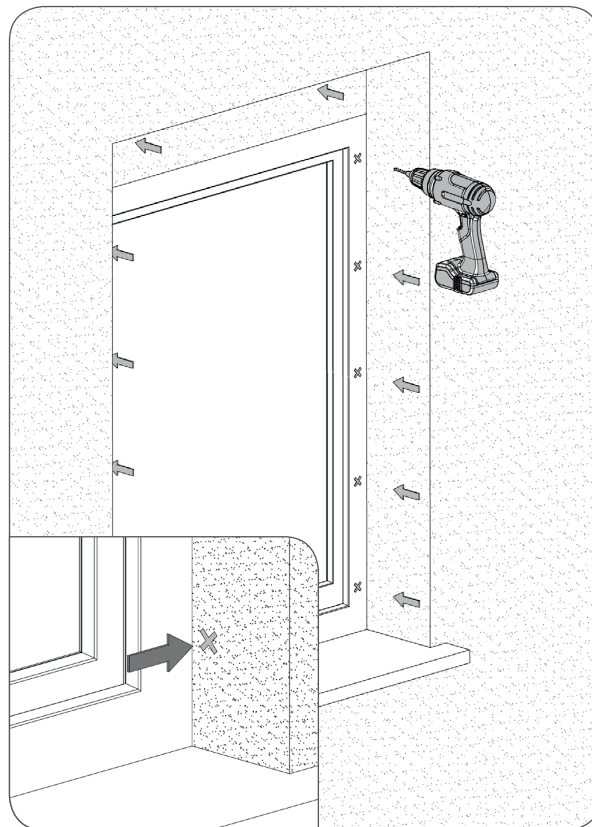
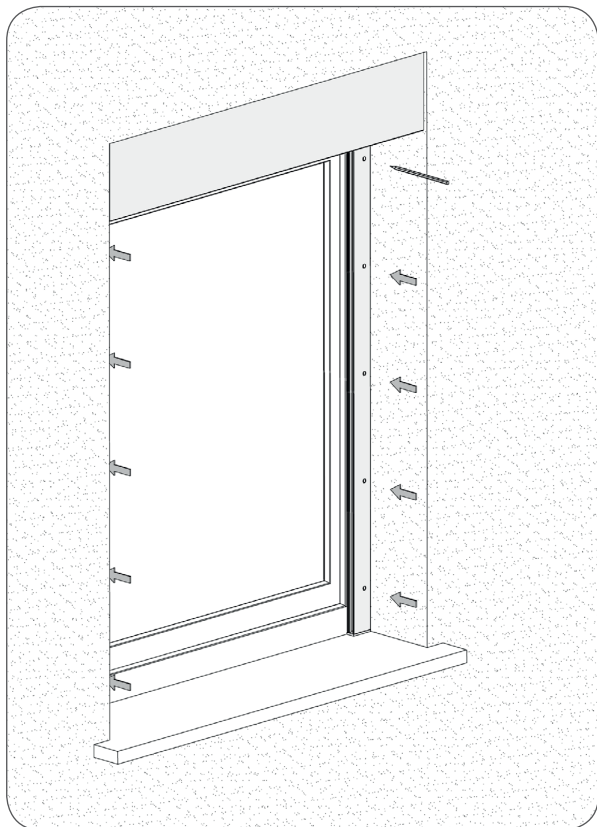
a) Mount the box in guide channels and insert side locks



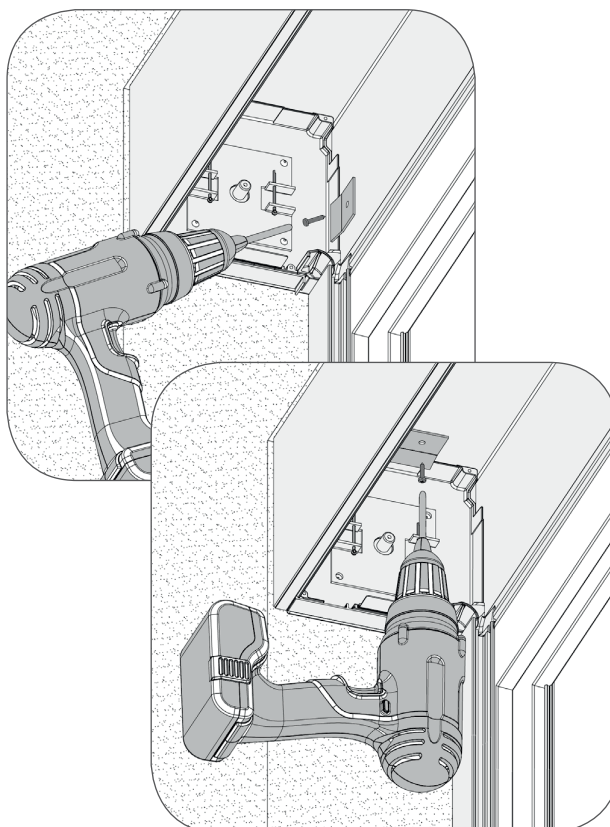
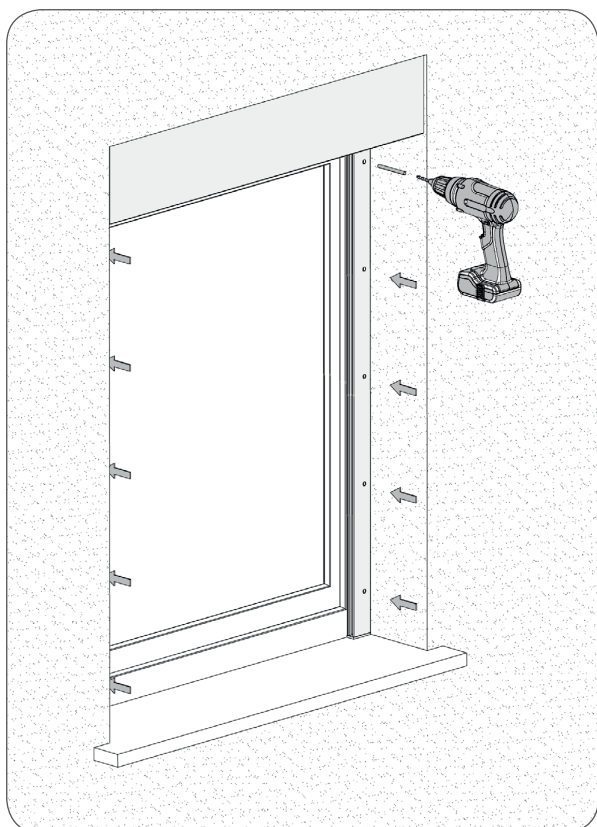
b) Position the guide channels and check the perpendicularity.



c) Mark and drill the holes.

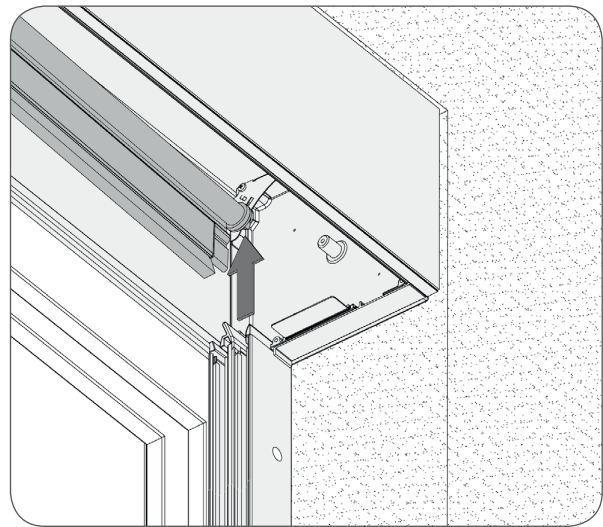
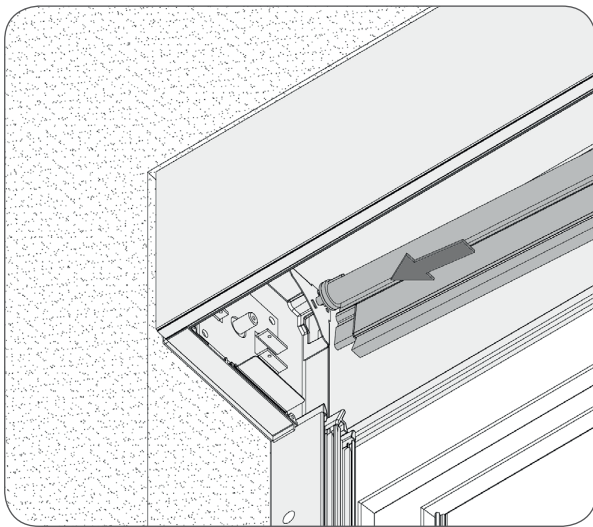
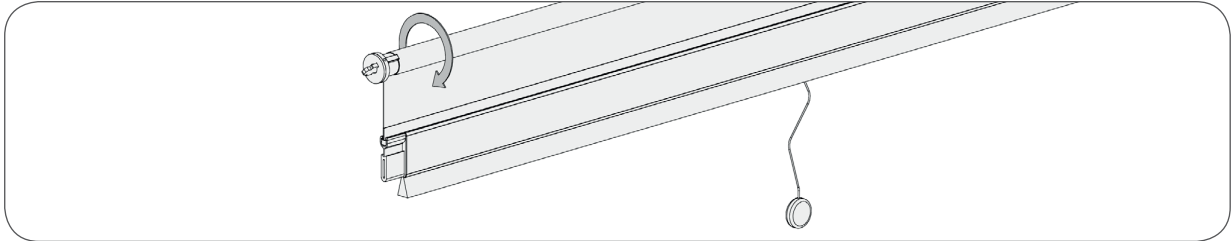


d) Screw on the guide channels and the box.

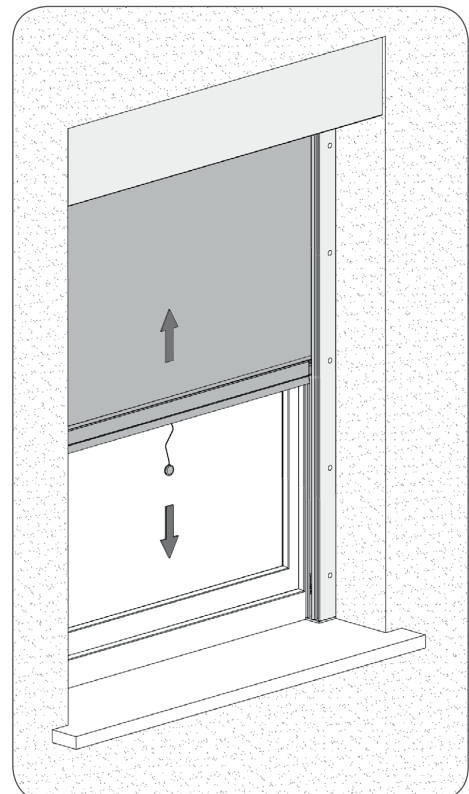
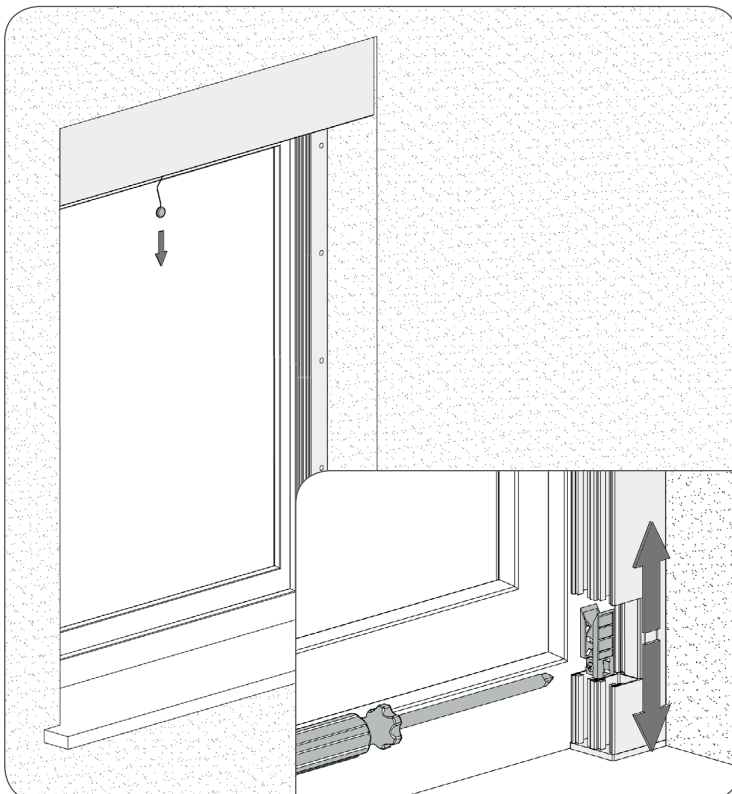


Moskito installation (e steps, f optional)

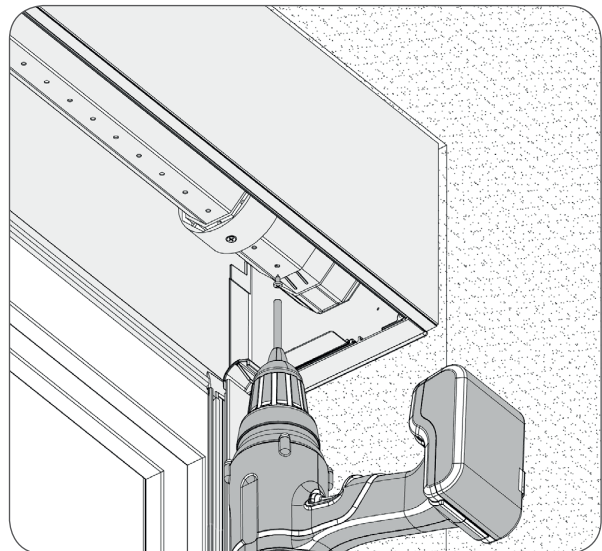
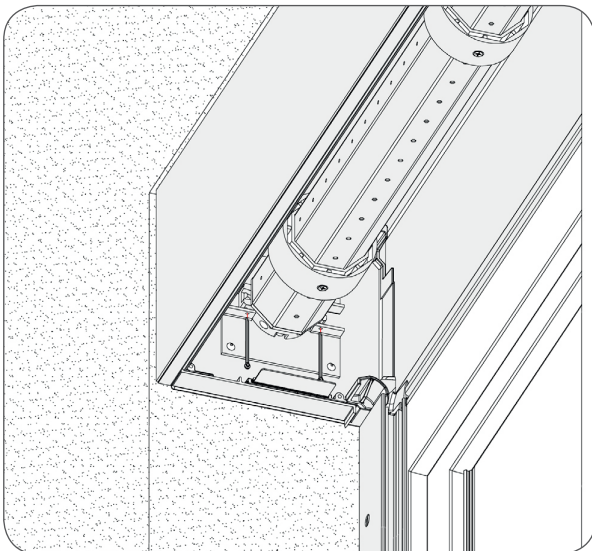
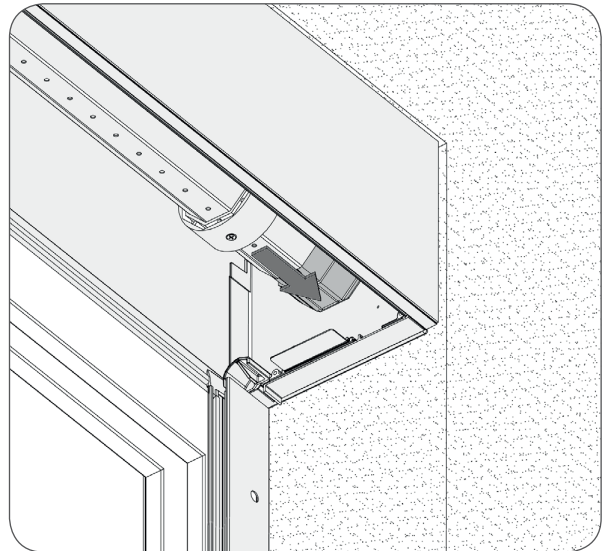
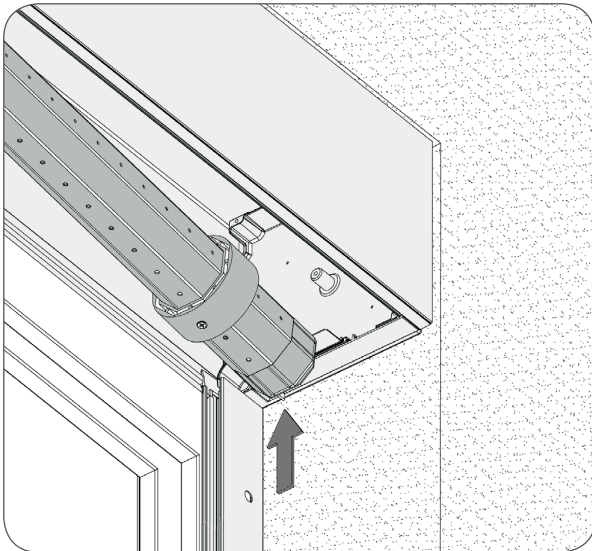
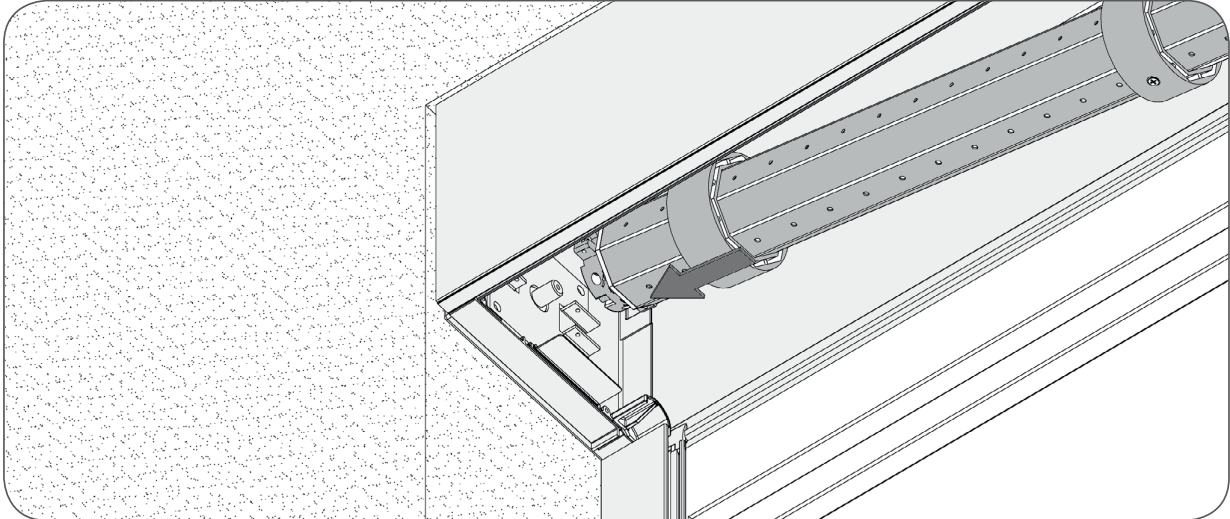
e) Wind the spring and insert insect screen set in brackets.



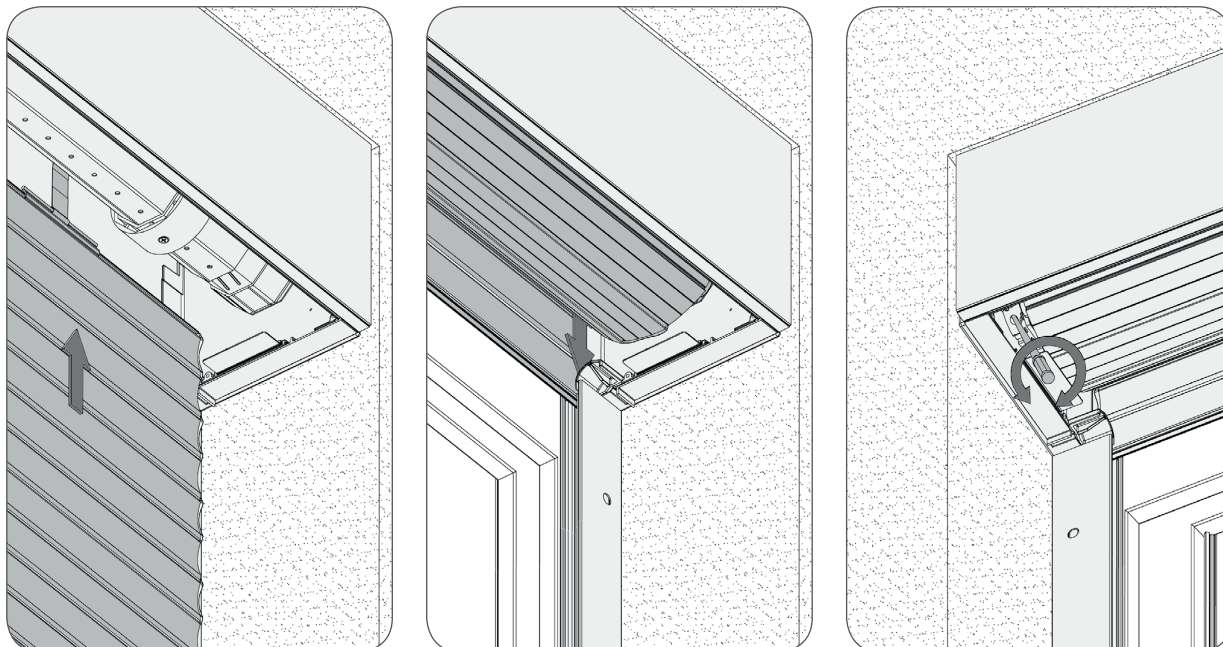
f) Lower the insect screen net and adjust the socket. Check operation.



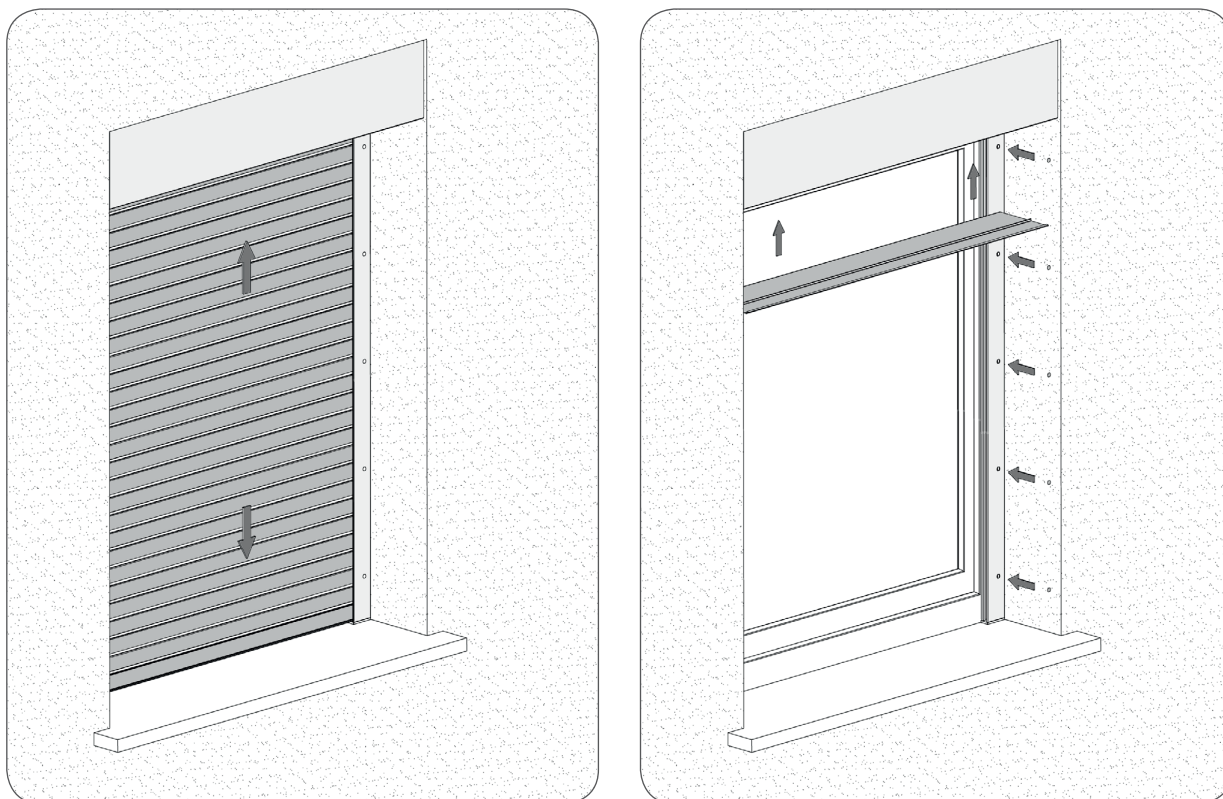
g) Insert assembled reel.



h) Wind the curtain, in the guide channels insert end slat and set limit positions.



i) Check operation. Close the box and insert the plugs.



5. AFTER THE INSTALLATION, REMOVE THE THREADS SECURING THE BRUSH SEAL.