



1. GENERAL RECOMMENDATIONS

Roller shutter installation can only be performed by a trained installation team. It is necessary to comply with occupational health and safety regulations, in particular concerning the safety of electrical equipment and work at heights.

For installation, use:

- If the installation is performed to the reinforced concrete lintel or on a solid brick - use rawplugs \varnothing 6+8 mm.
- If the installation is performed to a wall made of porous materials - use suitable installation systems for this type of walls.
- If the installation is performed to the walls made of cavity brick or aerated concrete, etc. - use plugs for cavity brick.

Installation conditions:

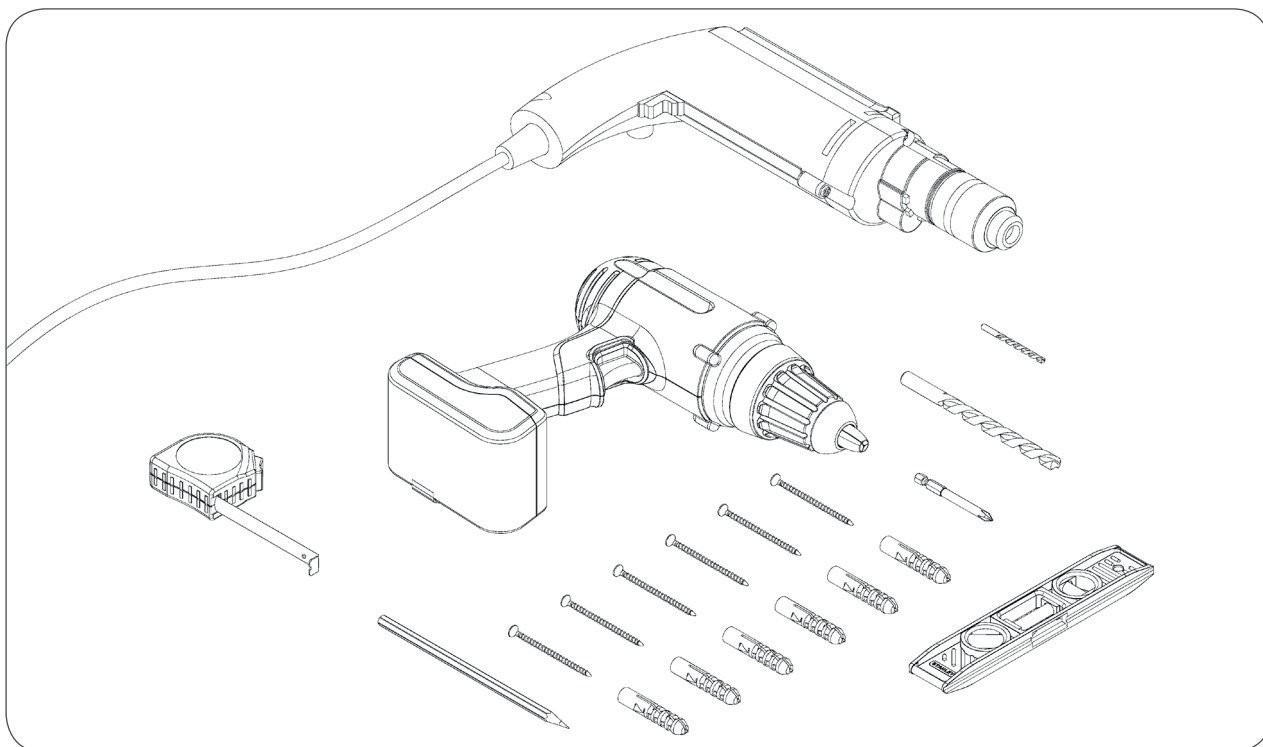
- For walls - perform an installation to even surfaces of a proper durability, made in accordance with effective regulations of Building Law
- For metal constructions - perform an installation to materials with a proper thickness of walls joined with one another in accordance with effective rules of metalworking.

The finishing:

In the case of installation on a facade with porous or rough surface it is recommended to protect the contact area of the box and / or guide channels with sealing materials suitable for external use, e.g. silicone or acrylic.

 *The ways of roller shutters installation shown in the manual are exemplary.*

2. INSTALLATION TOOLS

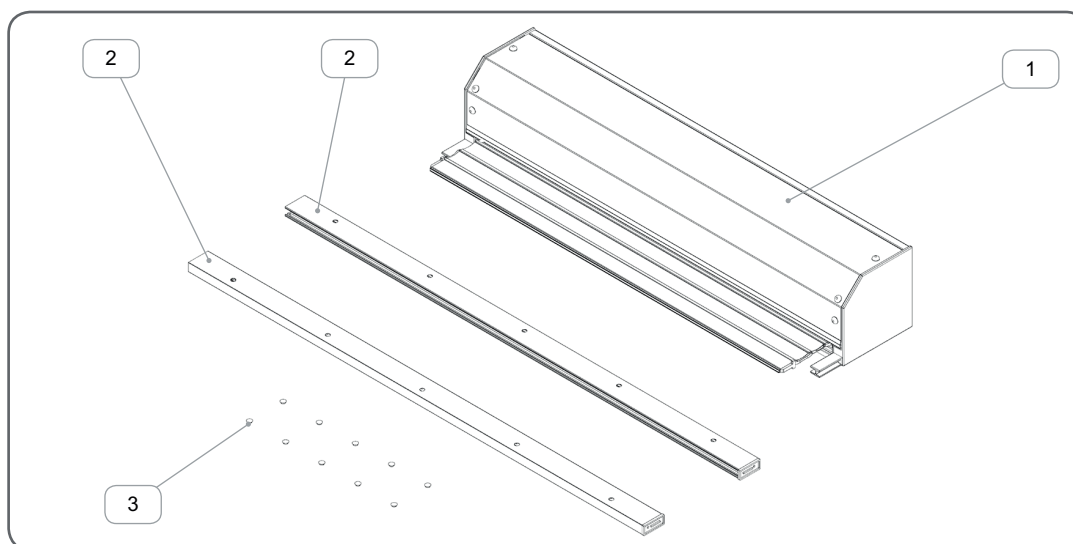


3. PRE-ASSEMBLY WORK

3.1. Roller shutter components

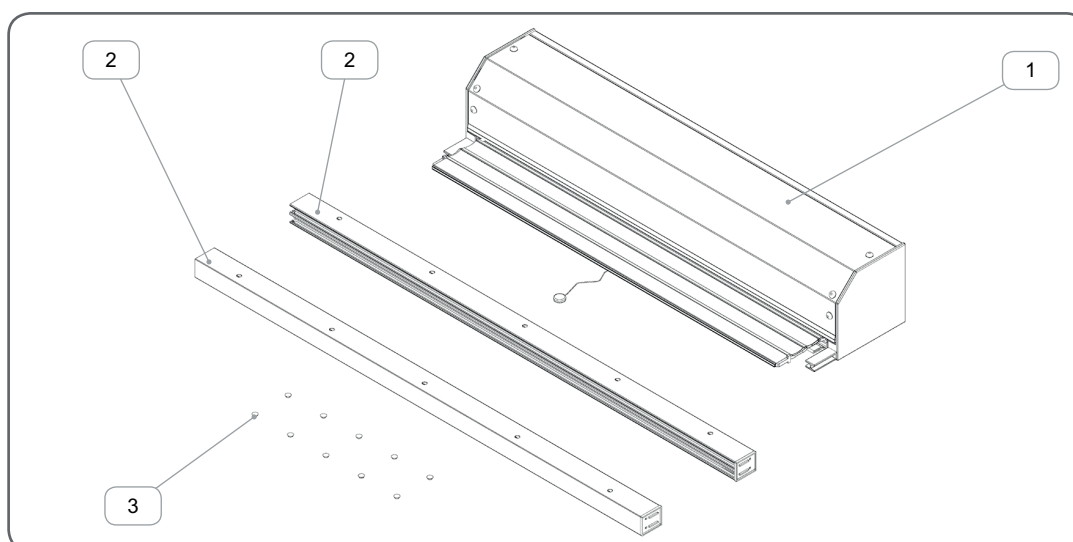
 Before the installation it is necessary to unpack the item and check its quantity and quality.

3.1.1. Roller shutter without insect screen



	Name of the component	Catalogue code
1.	Set I	
2.	Set II	
3.	Cups (may occur depending on the method of installation)	ZP 10/3,5

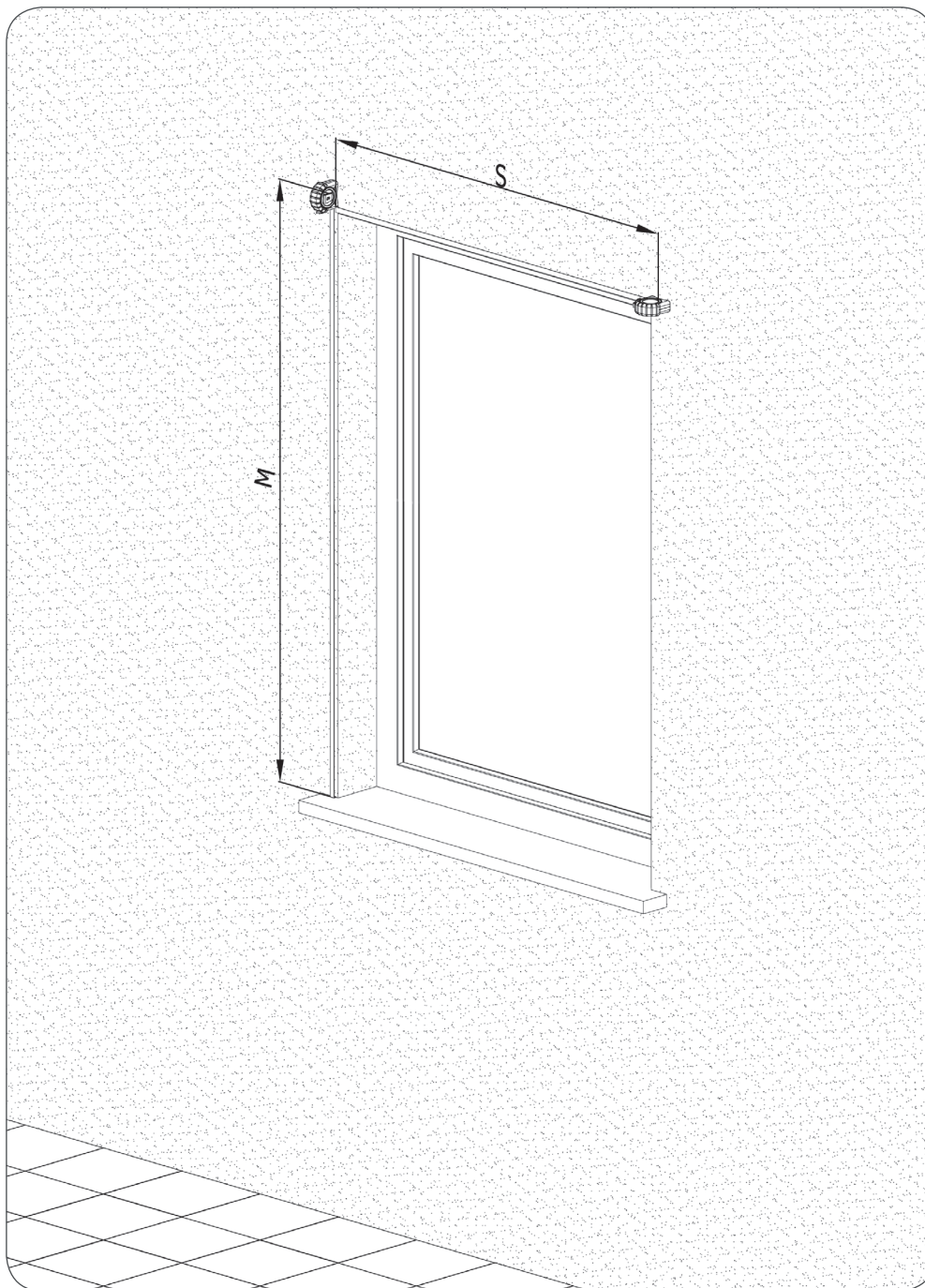
3.1.2. Roller shutter with insect screen



	Name of the component	Catalogue code
1.	Set I	
2.	Set II	
3.	Cups (may occur depending on the method of installation)	ZP 10/3,5

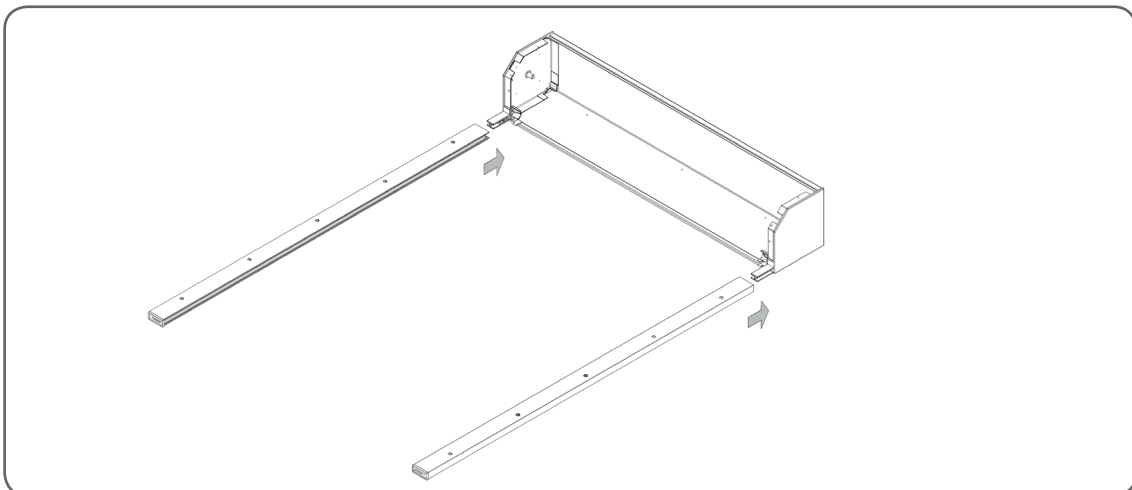
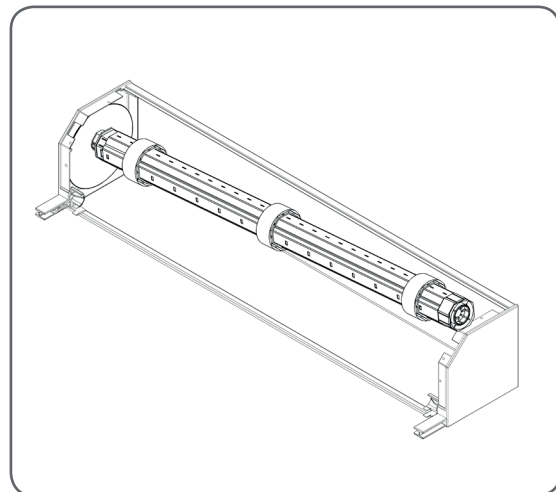
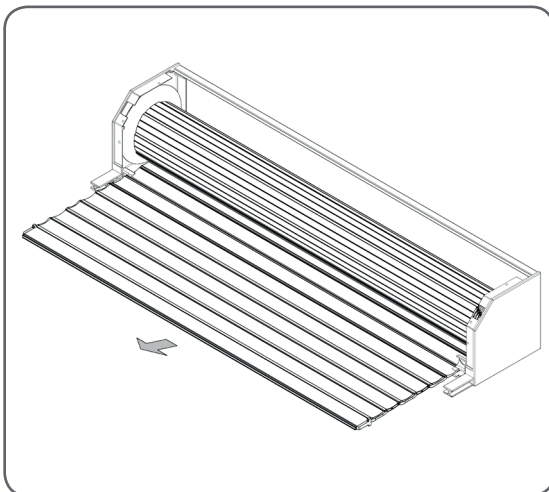
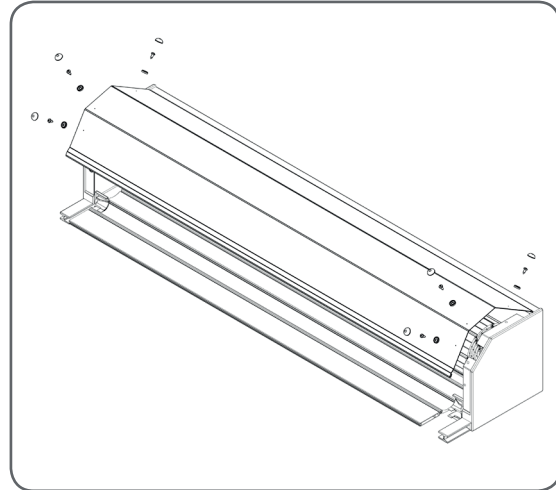
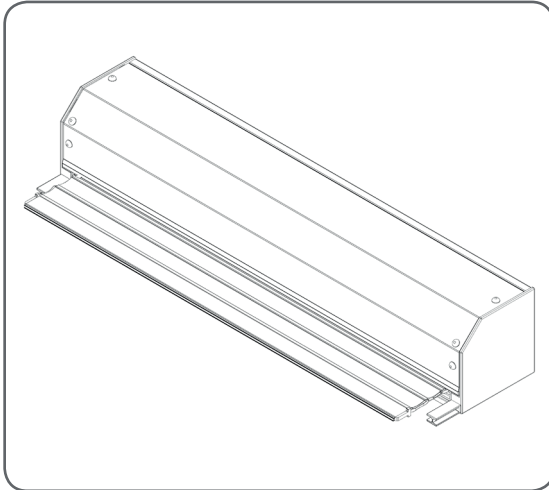
3.2. Dimensioning

Check the measurements of the mounting place.

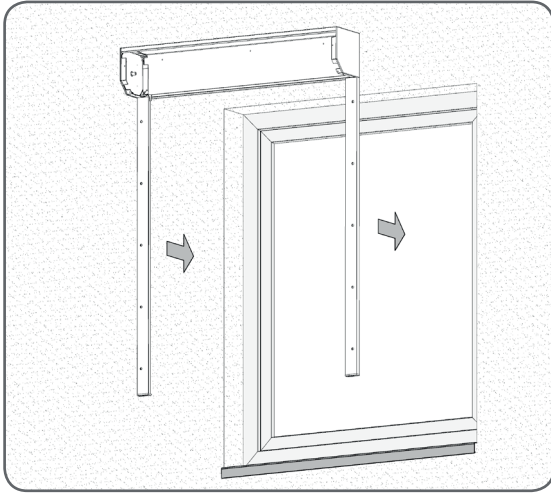


4. INSTALLATION SCHEME

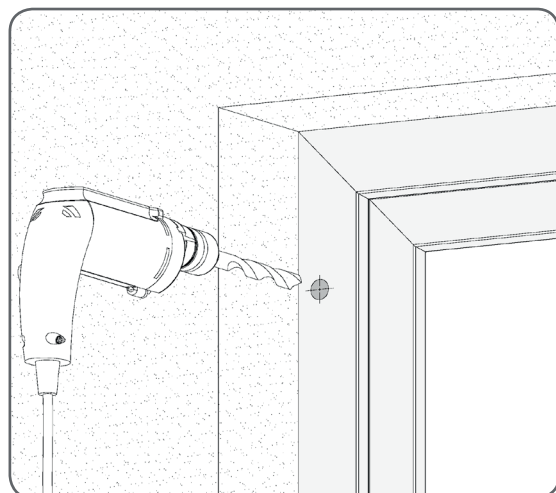
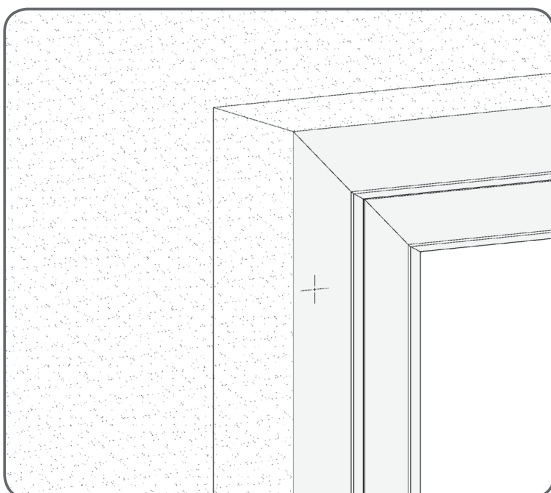
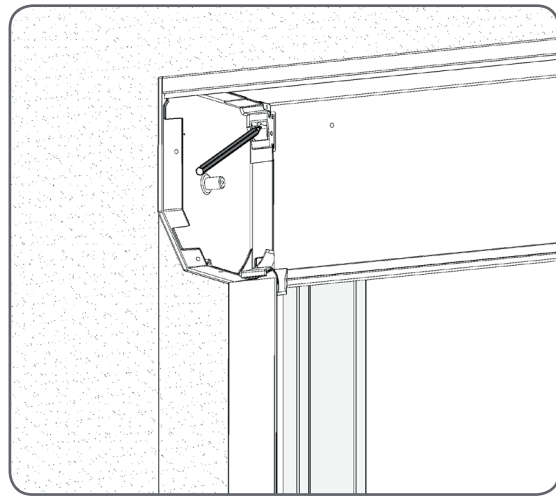
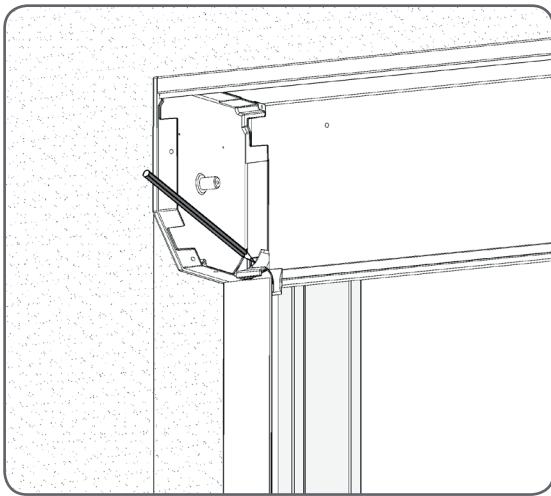
4.1. Roller shutter installation without insect screen

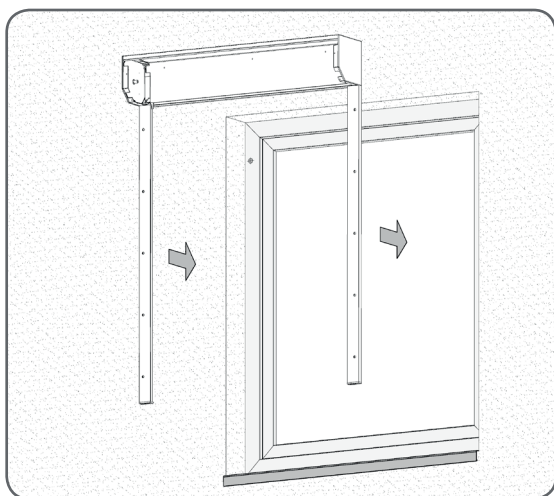


4.1.1. Mounting in the recess

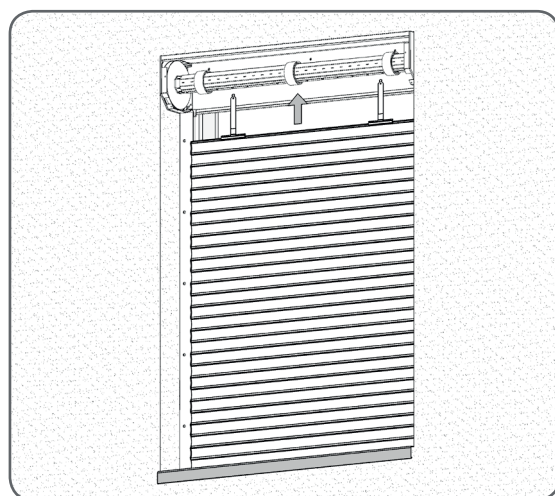
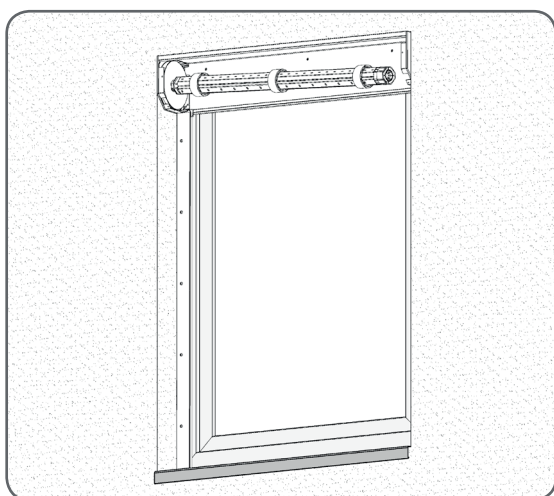
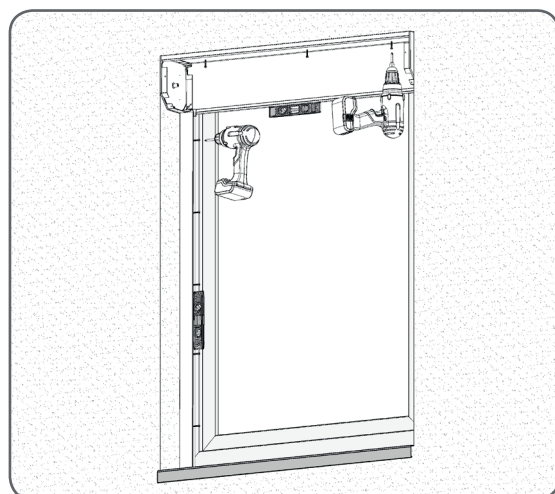
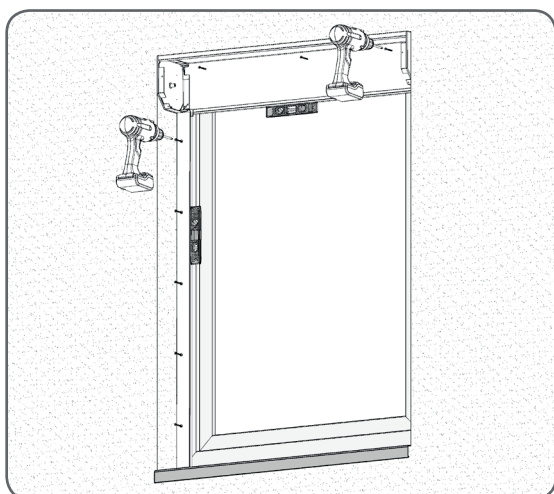


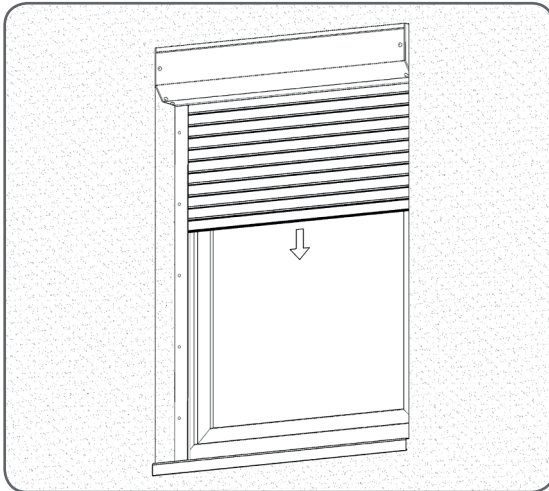
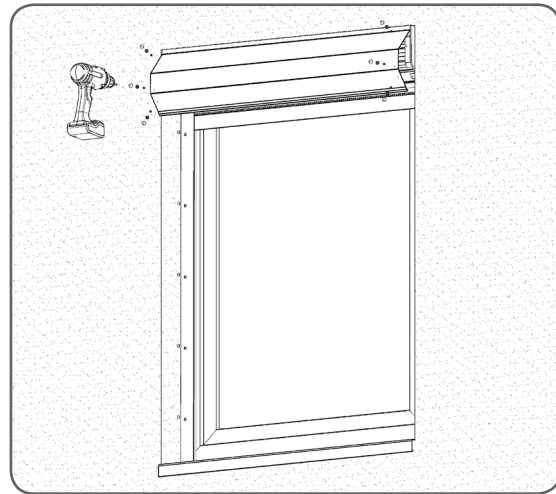
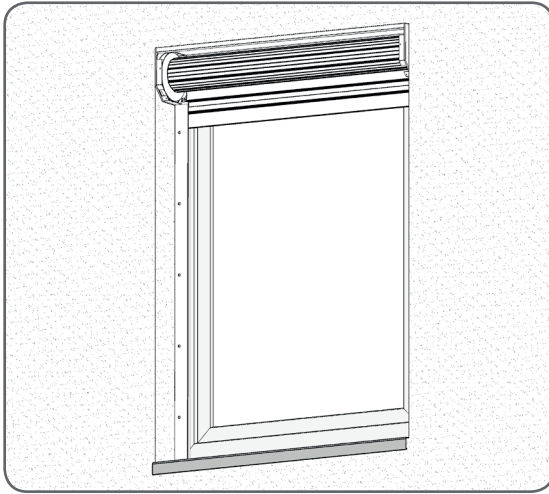
⚠ Depending on the drive type used, before installing the roller shutter, determine the place where the tape, rope, crank or cable of the electric motor will exit.



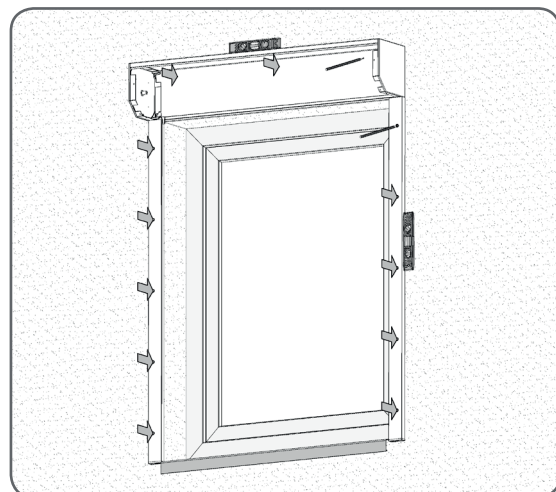
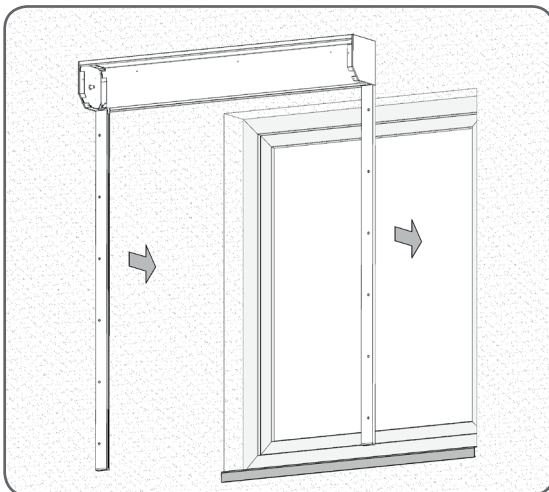


⚠ The roller shutter can be screwed directly to the window or to the wall.

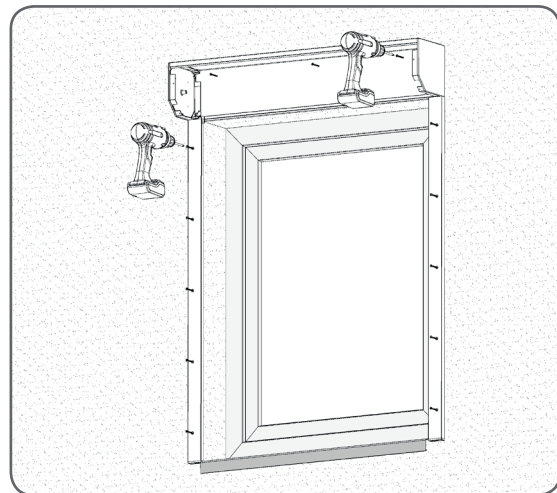
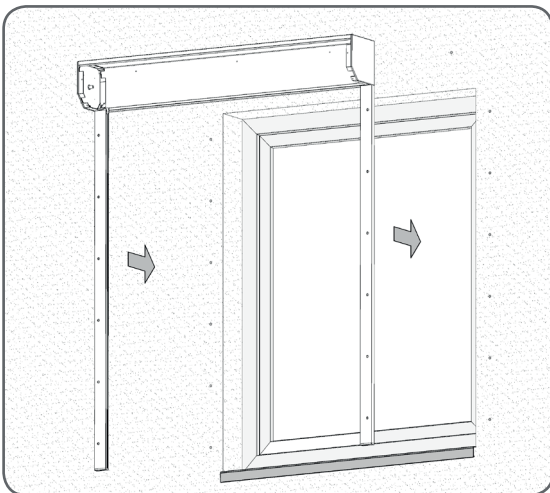
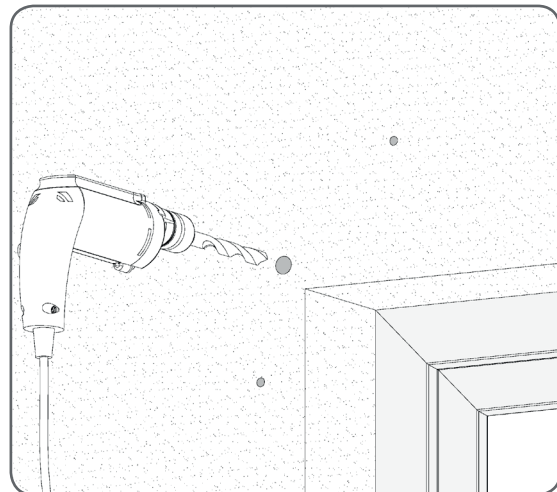
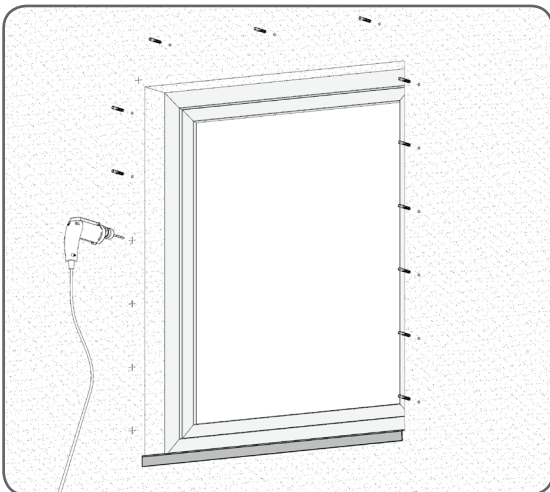
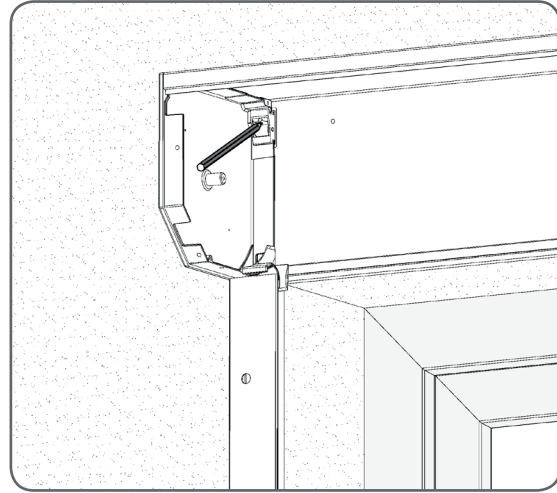
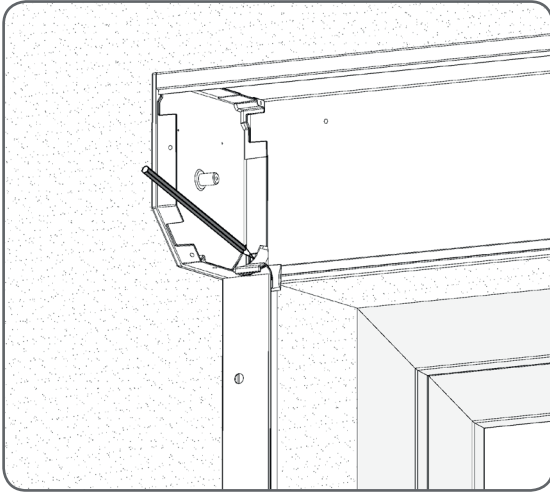


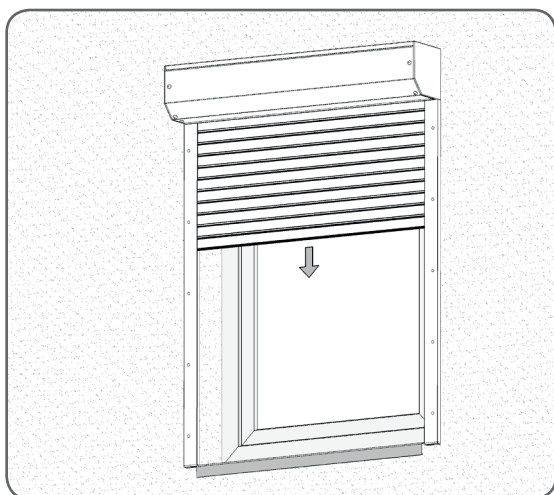
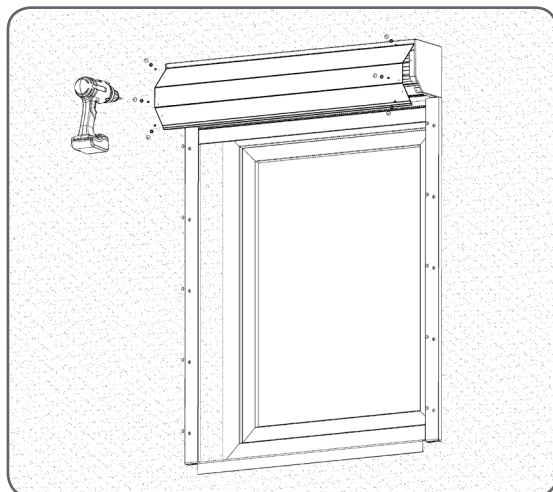
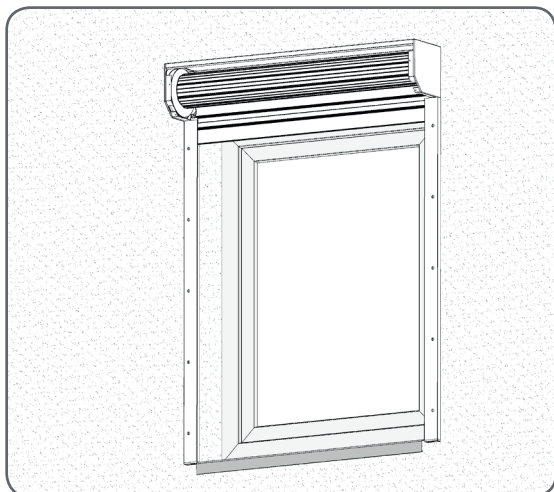
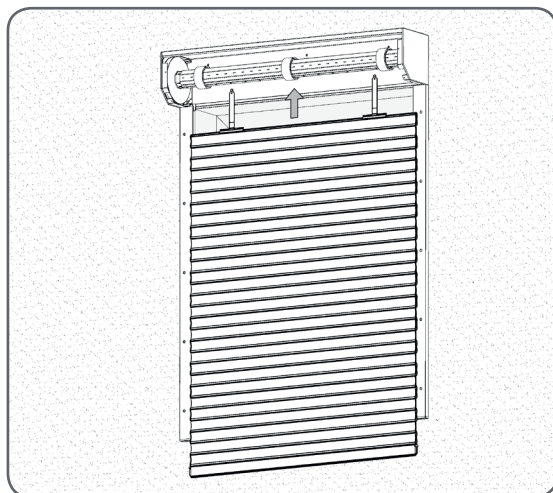
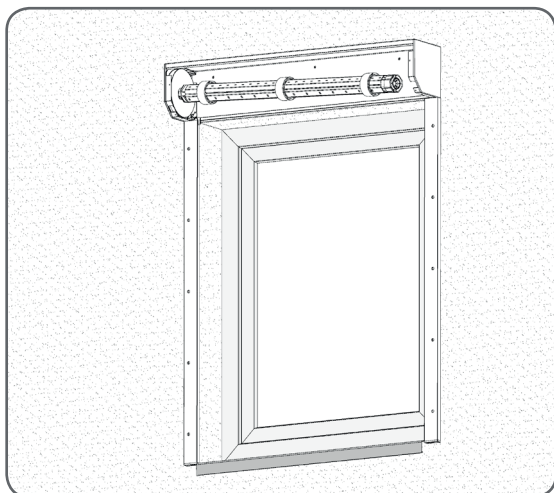


4.1.2. Wall mounting

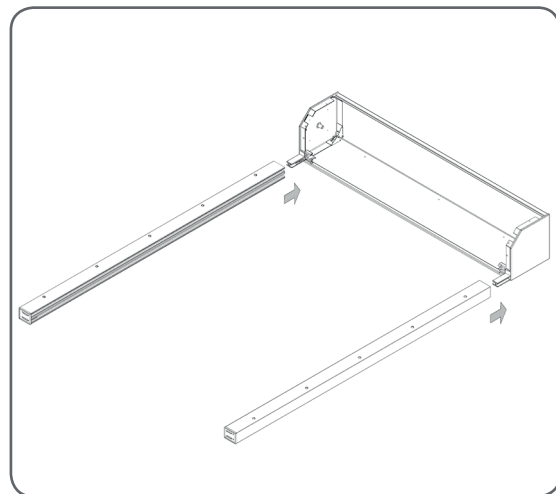
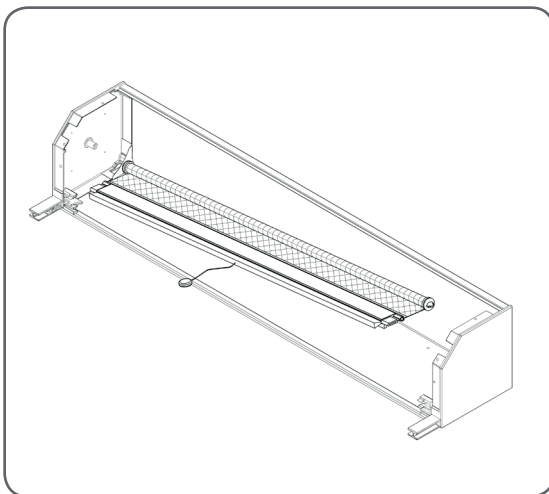
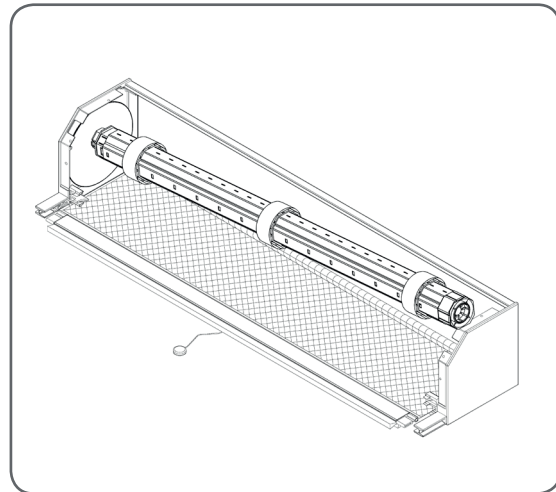
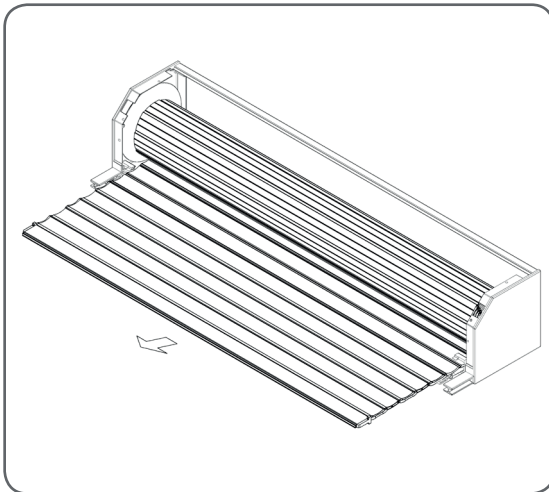
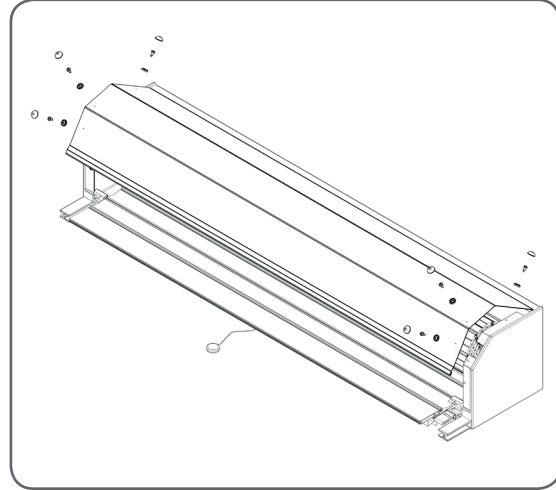
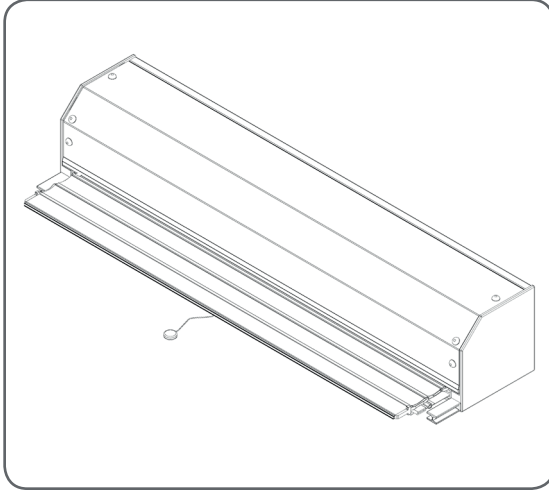


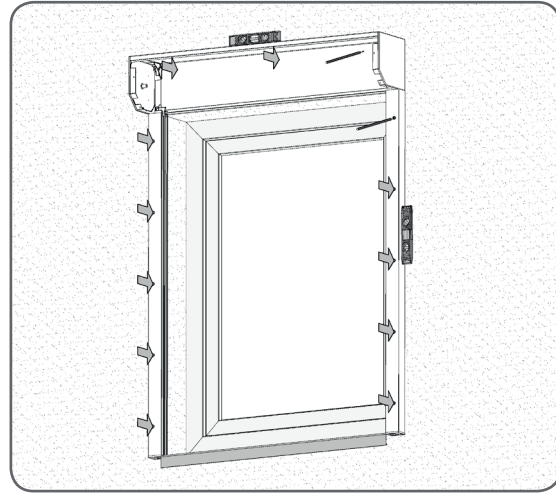
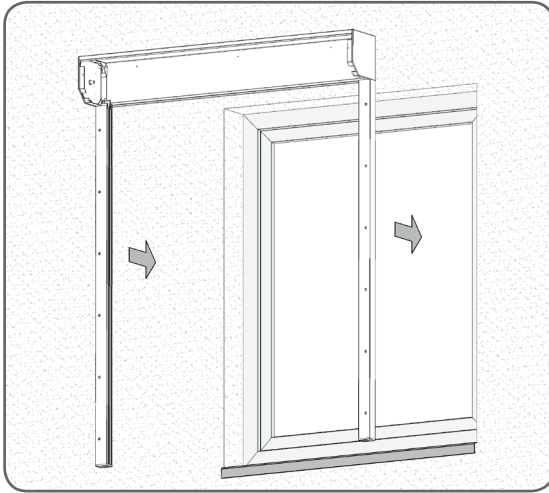
Depending on the drive type used, before installing the roller shutter, determine the place where the tape, rope, crank or cable of the electric motor will exit.




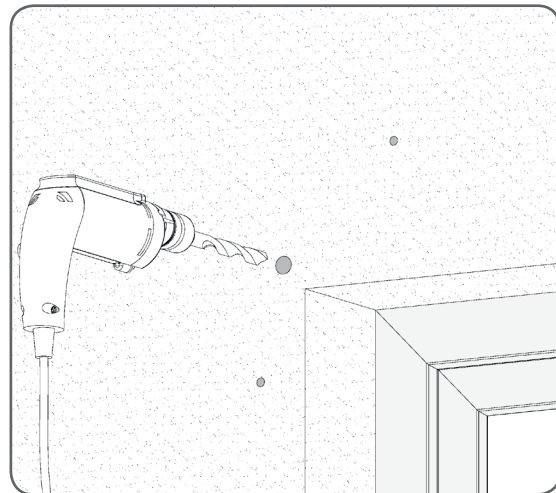
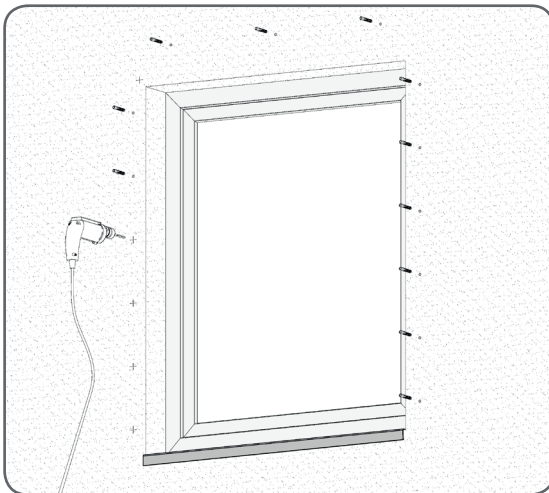
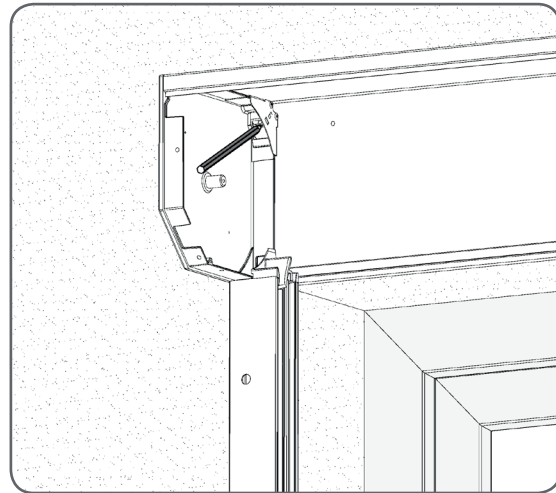
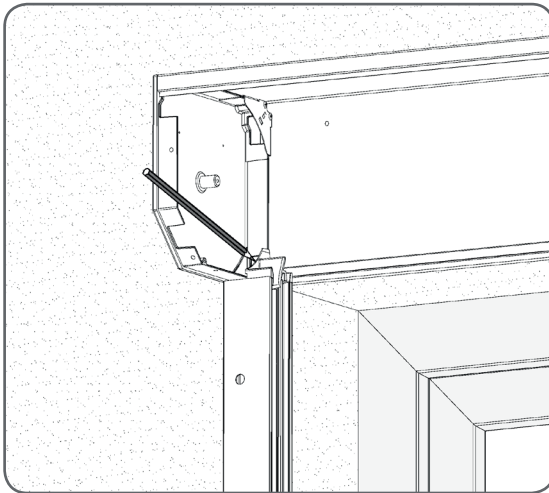


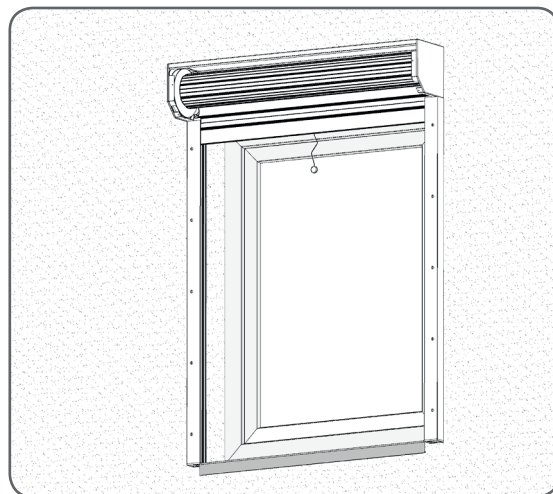
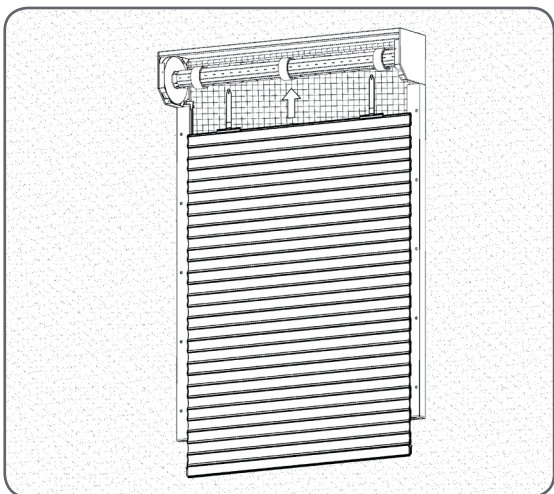
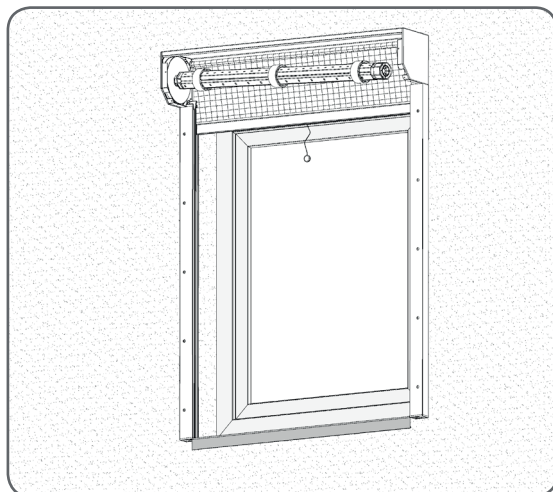
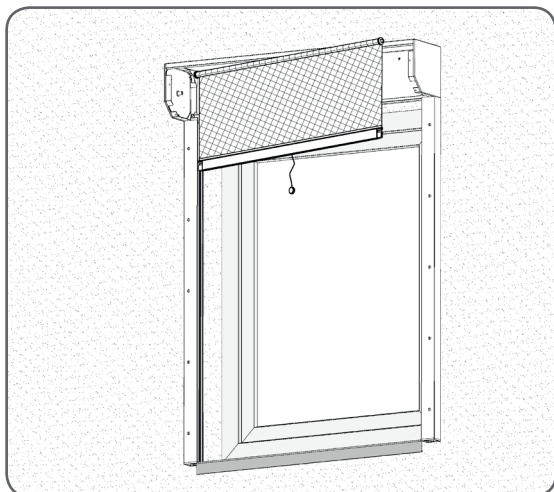
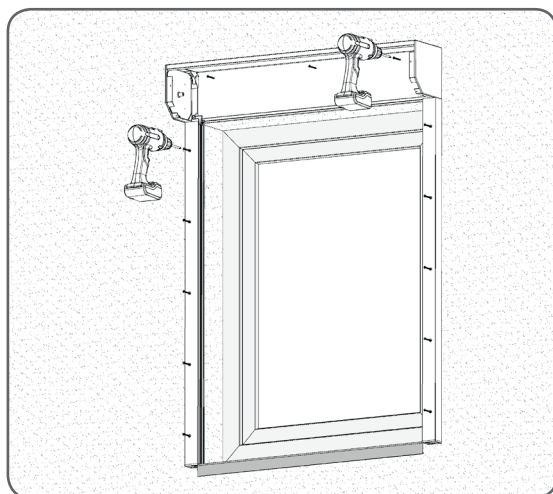
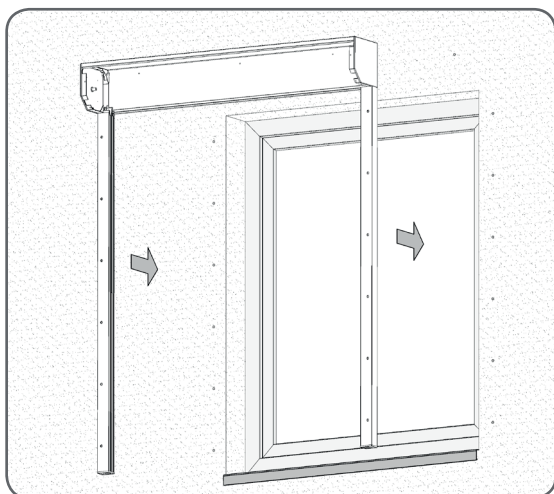
4.2. Roller shutter installation with insect screen

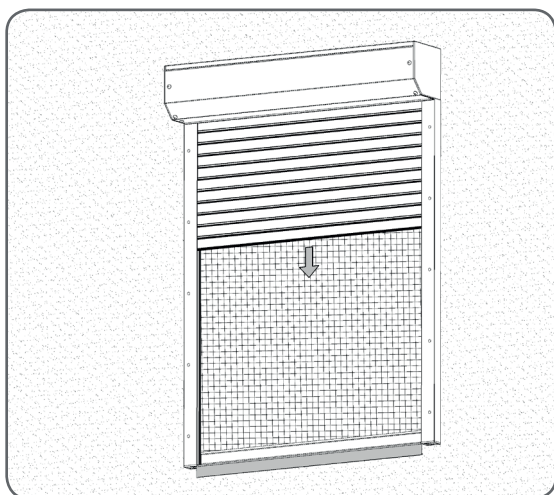
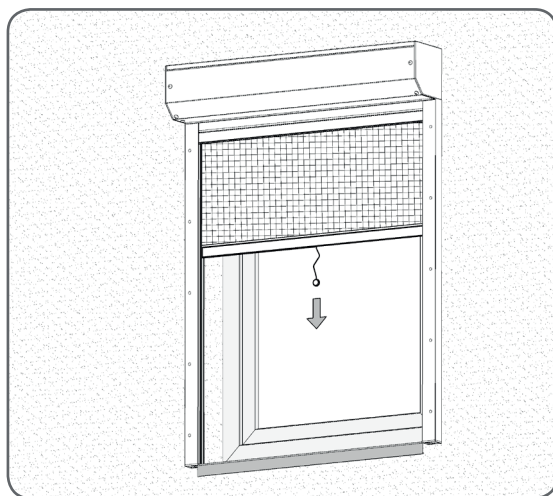
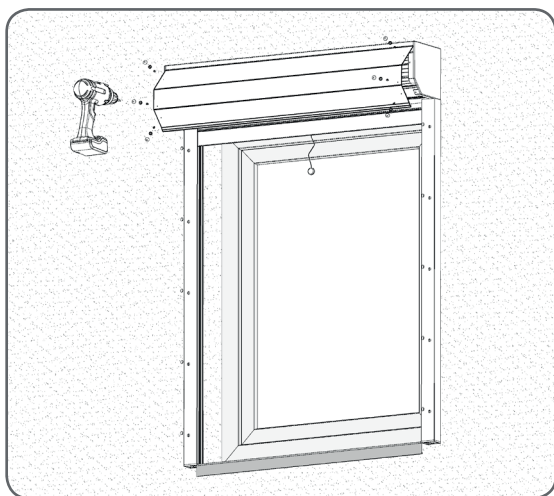




 Depending on the drive type used, before installing the roller shutter, determine the place where the tape, rope, crank or cable of the electric motor will exit







5. AFTER THE INSTALLATION, REMOVE THE THREADS SECURING THE BRUSH SEAL.

