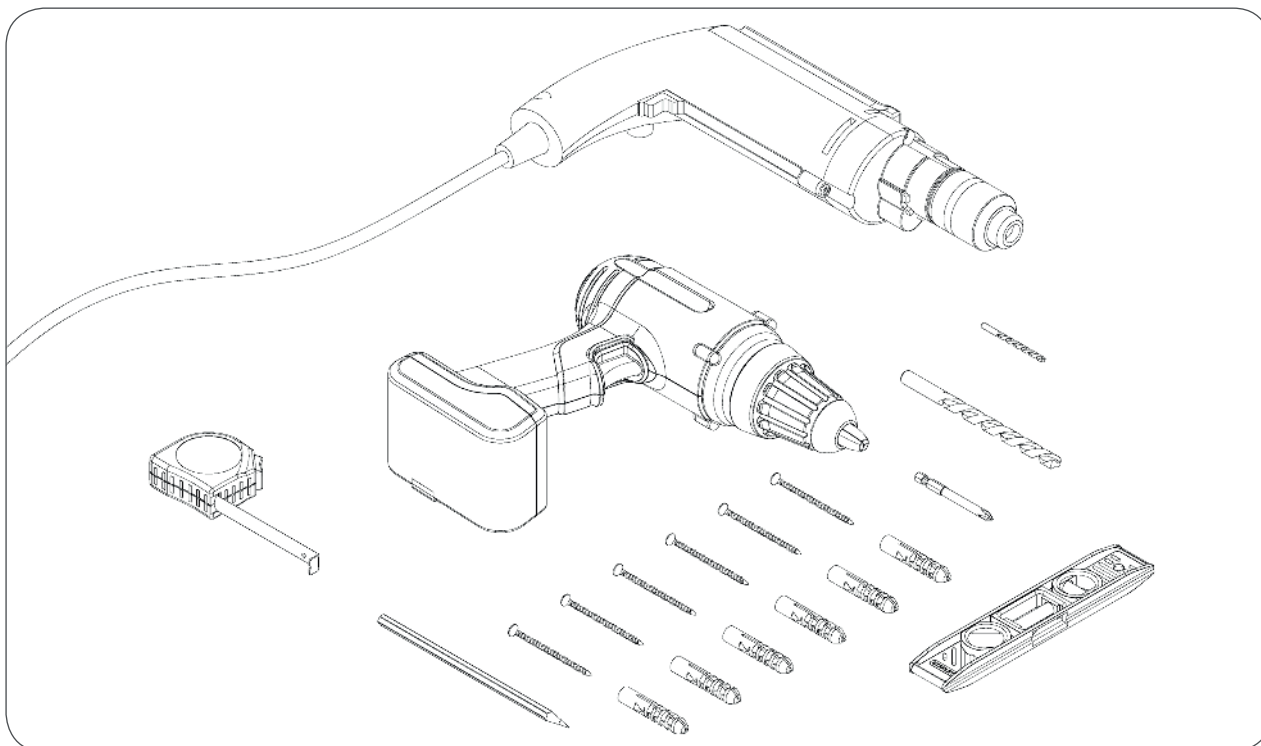
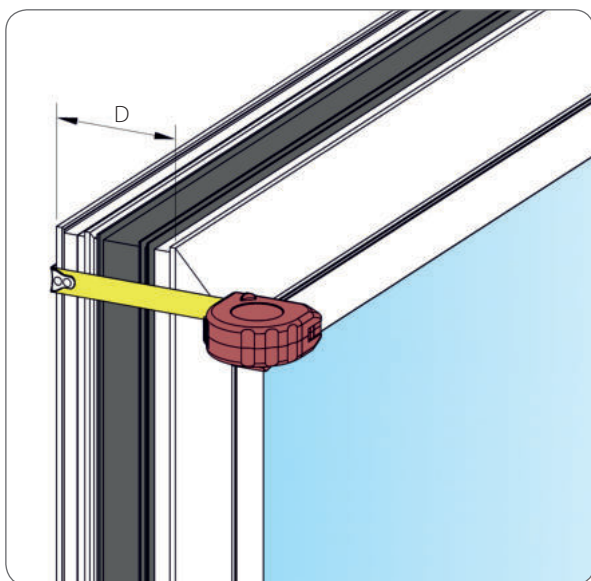
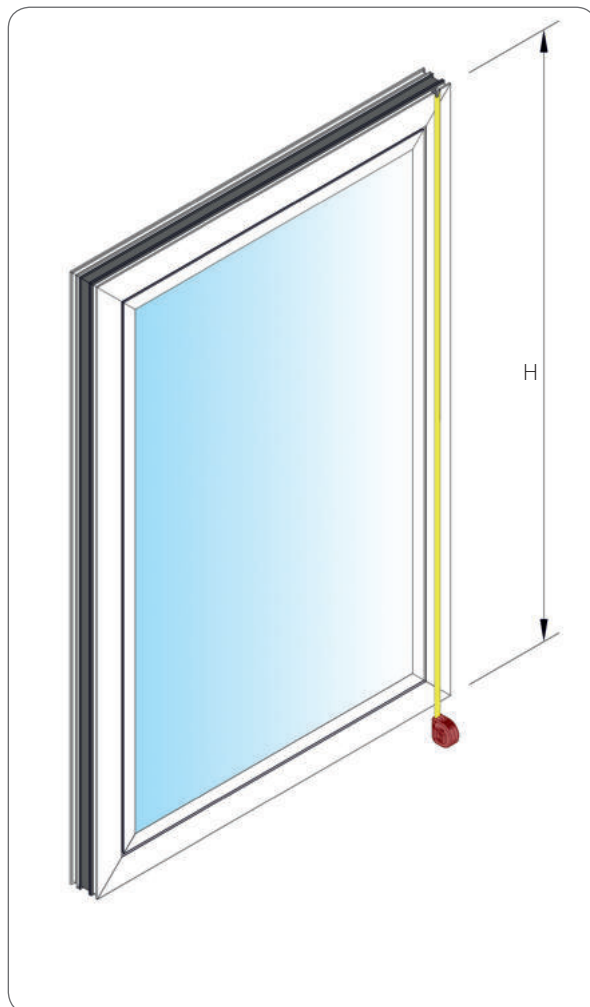
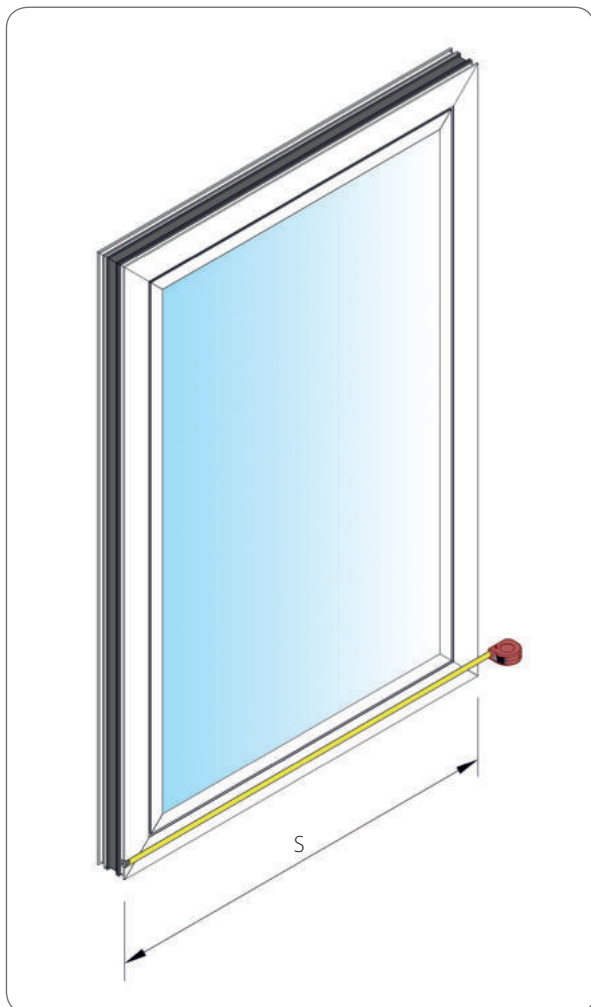




1. NECESSARY TOOLS TO CARRY OUT THE ASSEMBLY

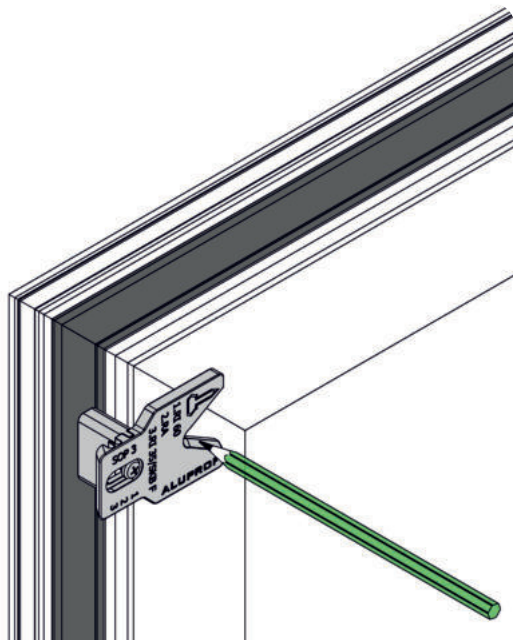


2. MEASUREMENT OF THE WINDOW

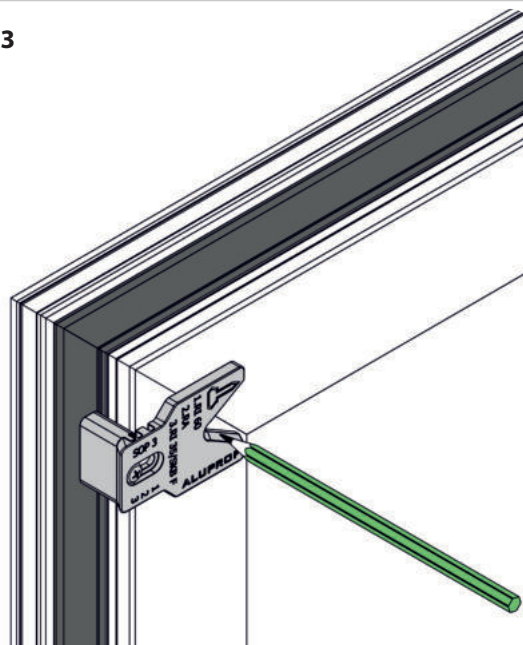


⚠ SOP3 template can be used for the guide channels holes marking.

Position 1

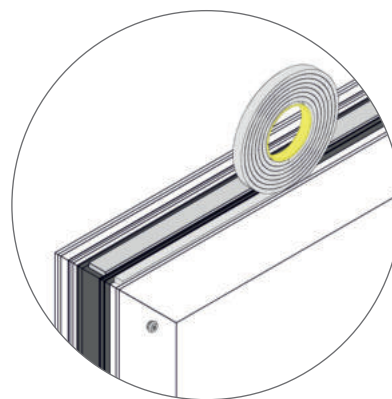


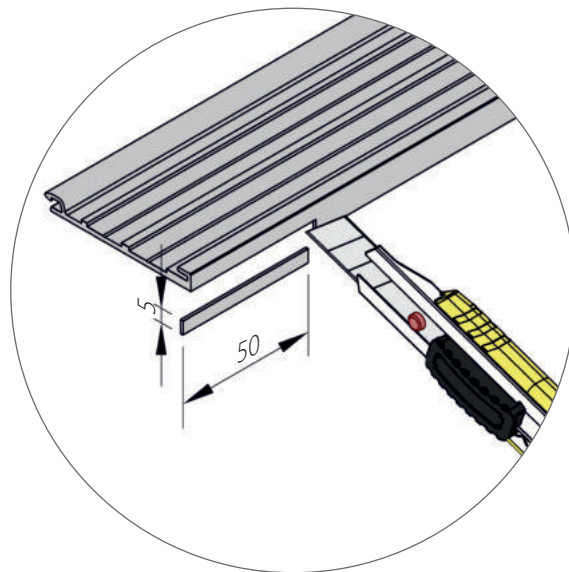
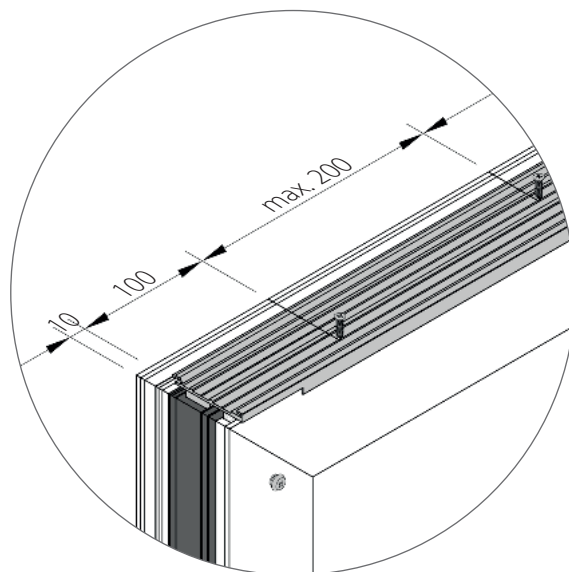
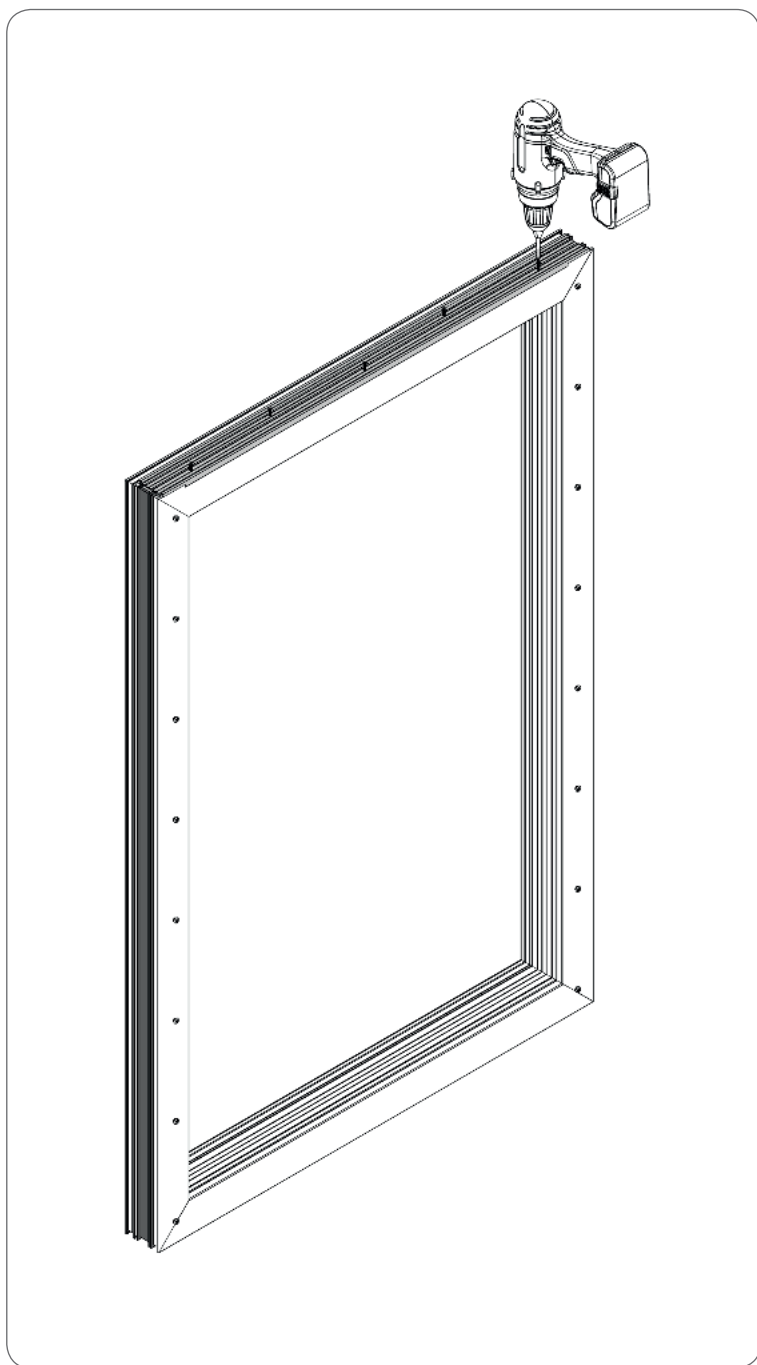
Position 3

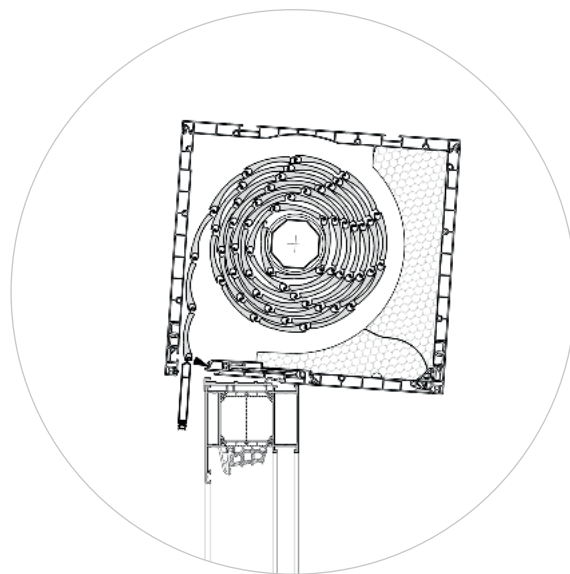
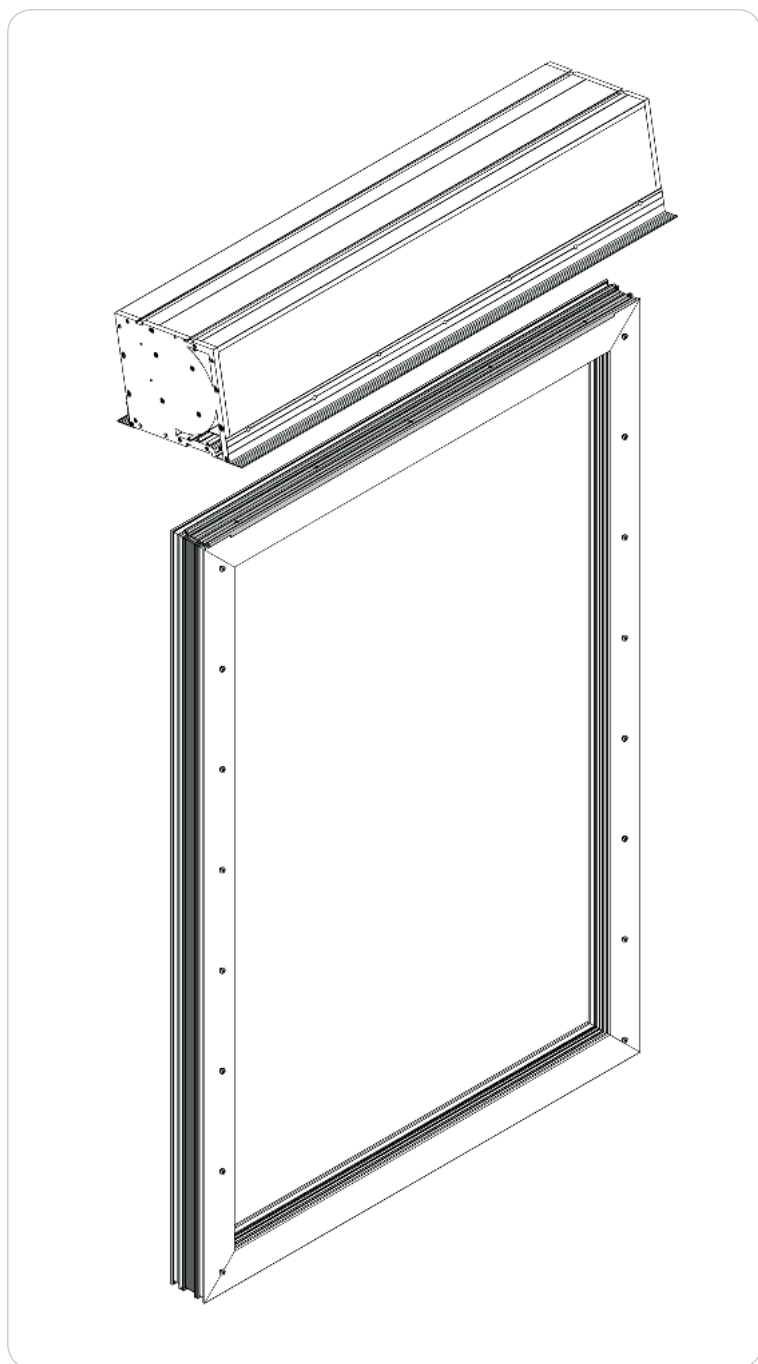


Guide channel: **PPDA60/12, PPDA60/17,**
PP60/12, PP60/17,
PPD60/12, PPD60/17,
PPDMW60/12, PPDMW60/17,
PPDAMW60/12,
PPM60/12, PPM60/17,
PPDM60/12, PPDM60/17,
PPMO60/12, PPMO60/17

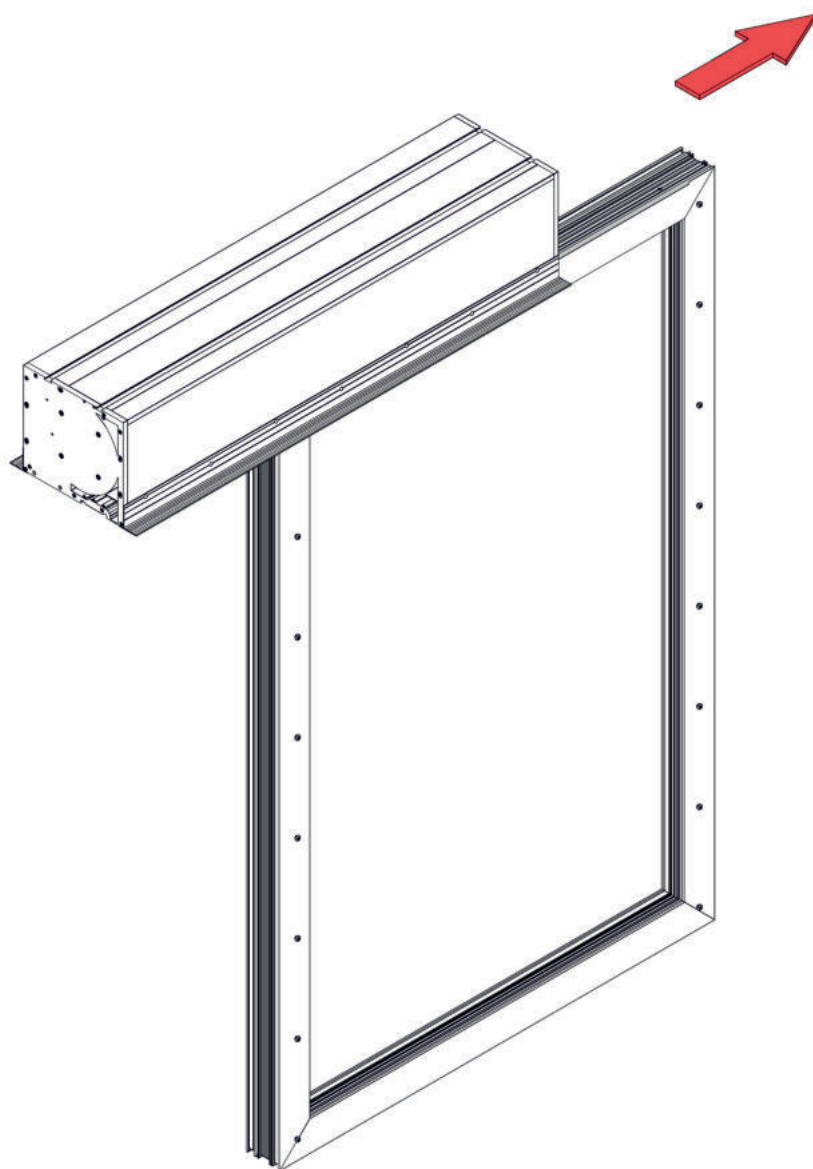
Guide channel: **PPA35/12, PPA35/17,**
PPAM35/12, PPAM35/17

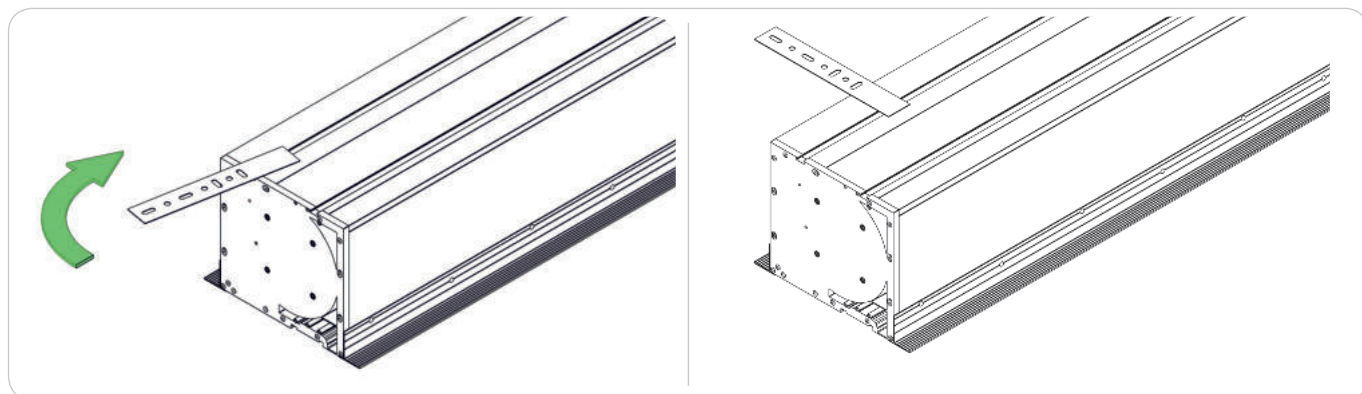
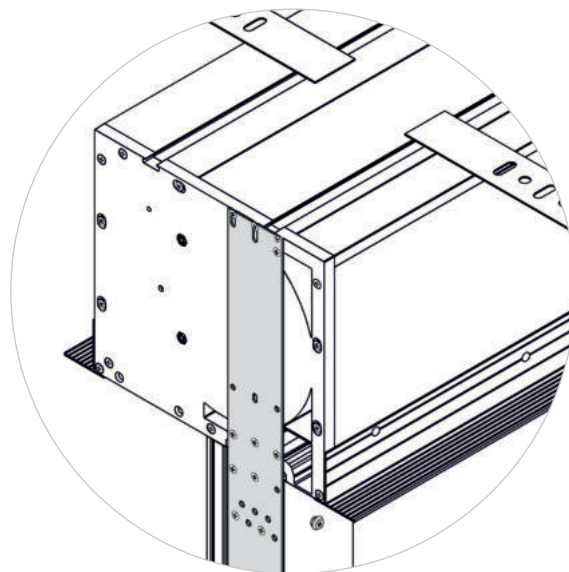
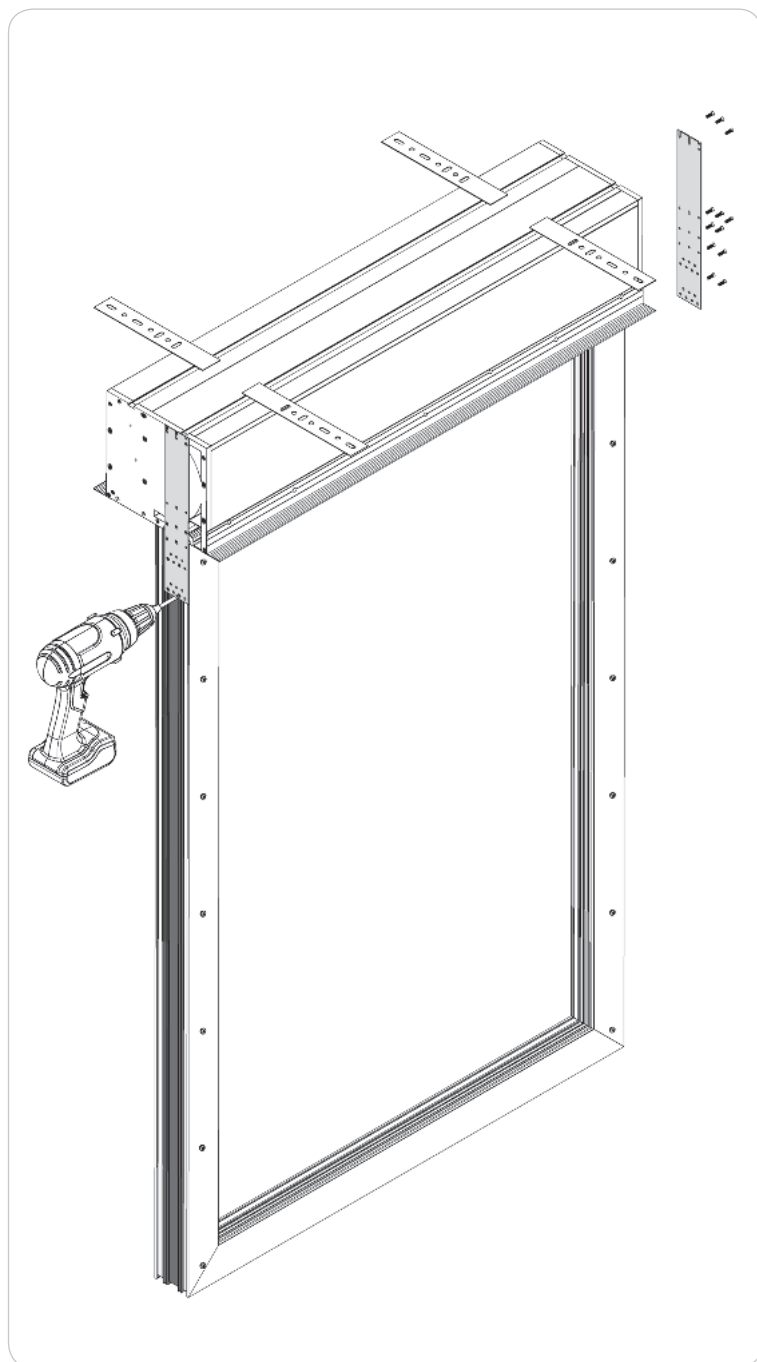


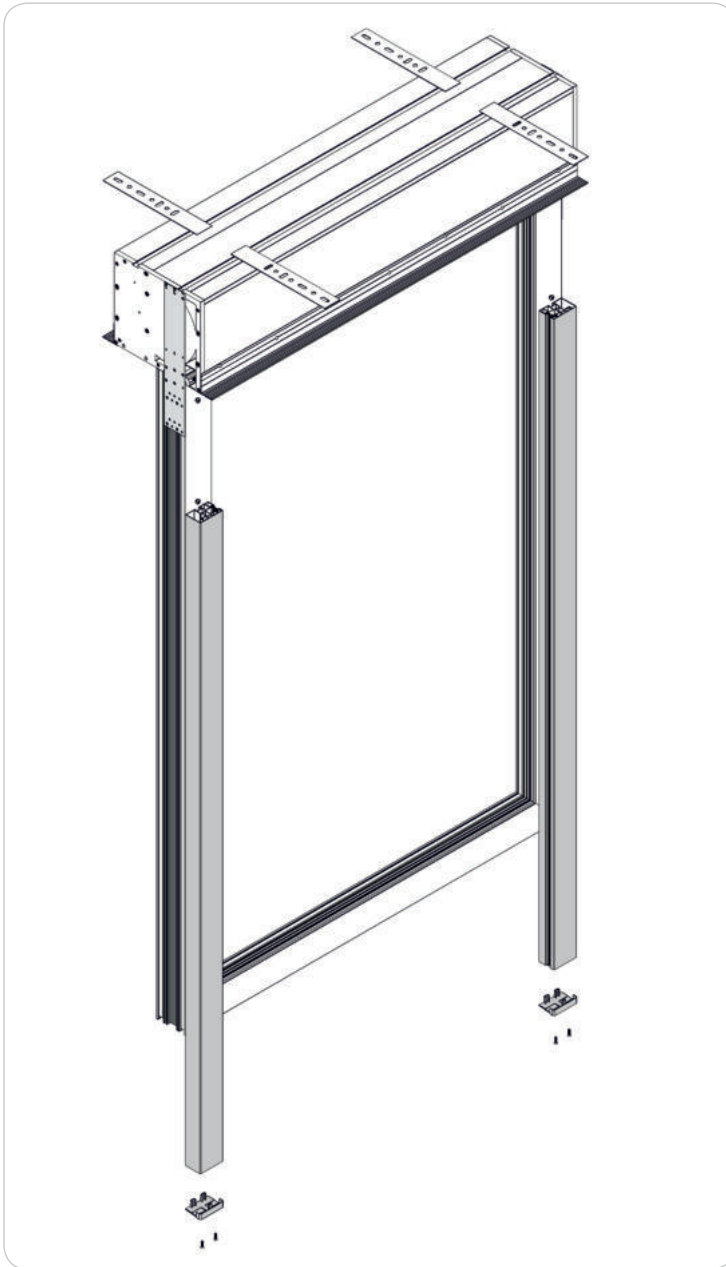




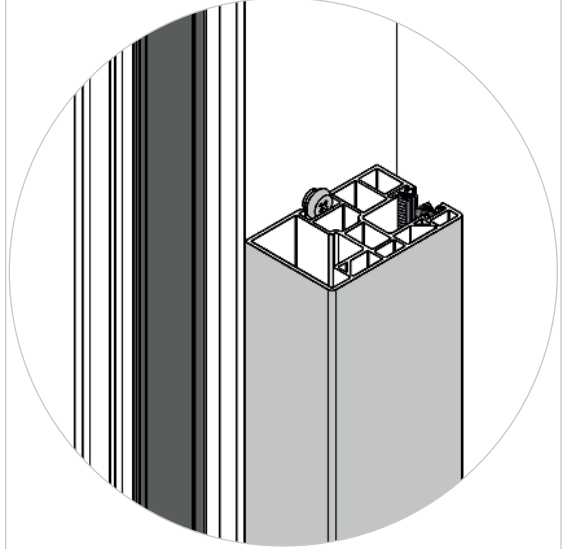
⚠ Alternatively, slide the roller shutter box onto the adapter profile from the side.



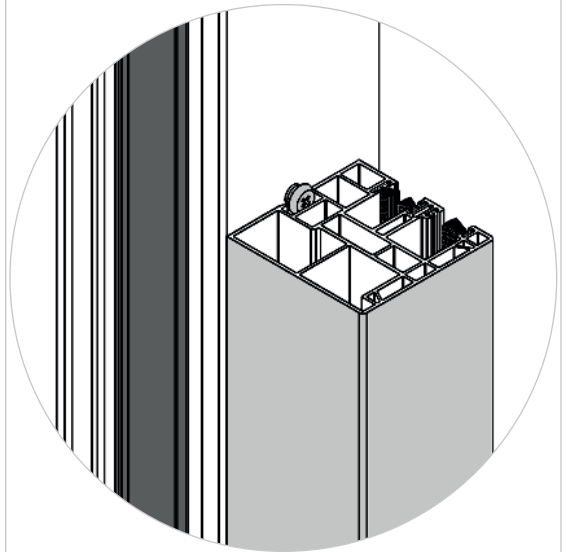




SKT



SKT + MKT



SKT Nova

