

1. GENERAL RECOMMENDATIONS

External venetian blind installation can only be performed by a trained installation team. It is necessary to comply with occupational health and safety regulations, in particular concerning the safety of electrical equipment and work at heights.

For installation, use:

- If the installation is performed to the reinforced concrete lintel or on a solid brick - use rawplugs \varnothing 6÷8 mm.
- If the installation is performed to a wall made of porous materials - use suitable installation systems for this type of walls.
- If the installation is performed to the walls made of cavity brick or aerated concrete, etc. - use plugs for cavity brick.

Installation conditions:

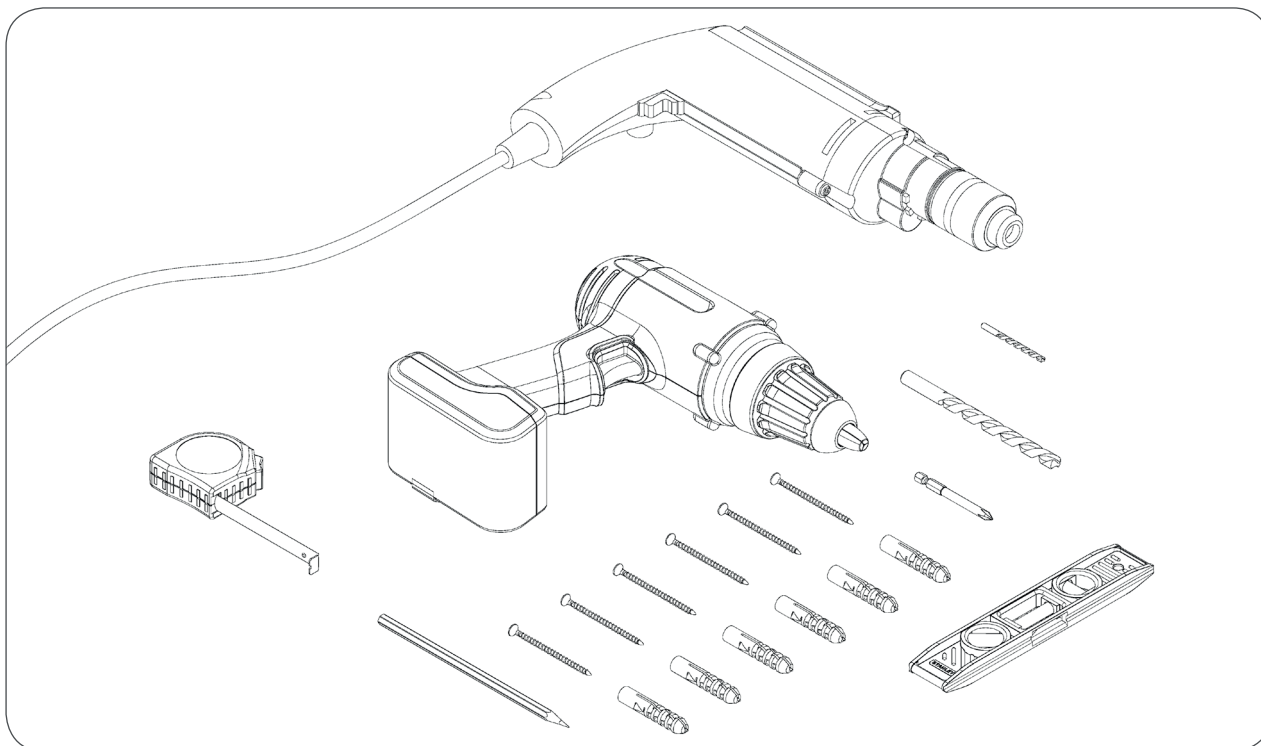
- For walls - perform an installation to even surfaces of a proper durability, made in accordance with effective regulations of Building Law
- For metal constructions - perform an installation to materials with a proper thickness of walls joined with one another in accordance with effective rules of metalworking.

The finishing:

In the case of installation on a facade with porous or rough surface it is recommended to protect the contact area of the box and / or guide channels with sealing materials suitable for external use, e.g. silicone or acrylic.

 *The installation methods of the venetian blinds presented in the manual are only examples.*

2. INSTALLATION TOOLS

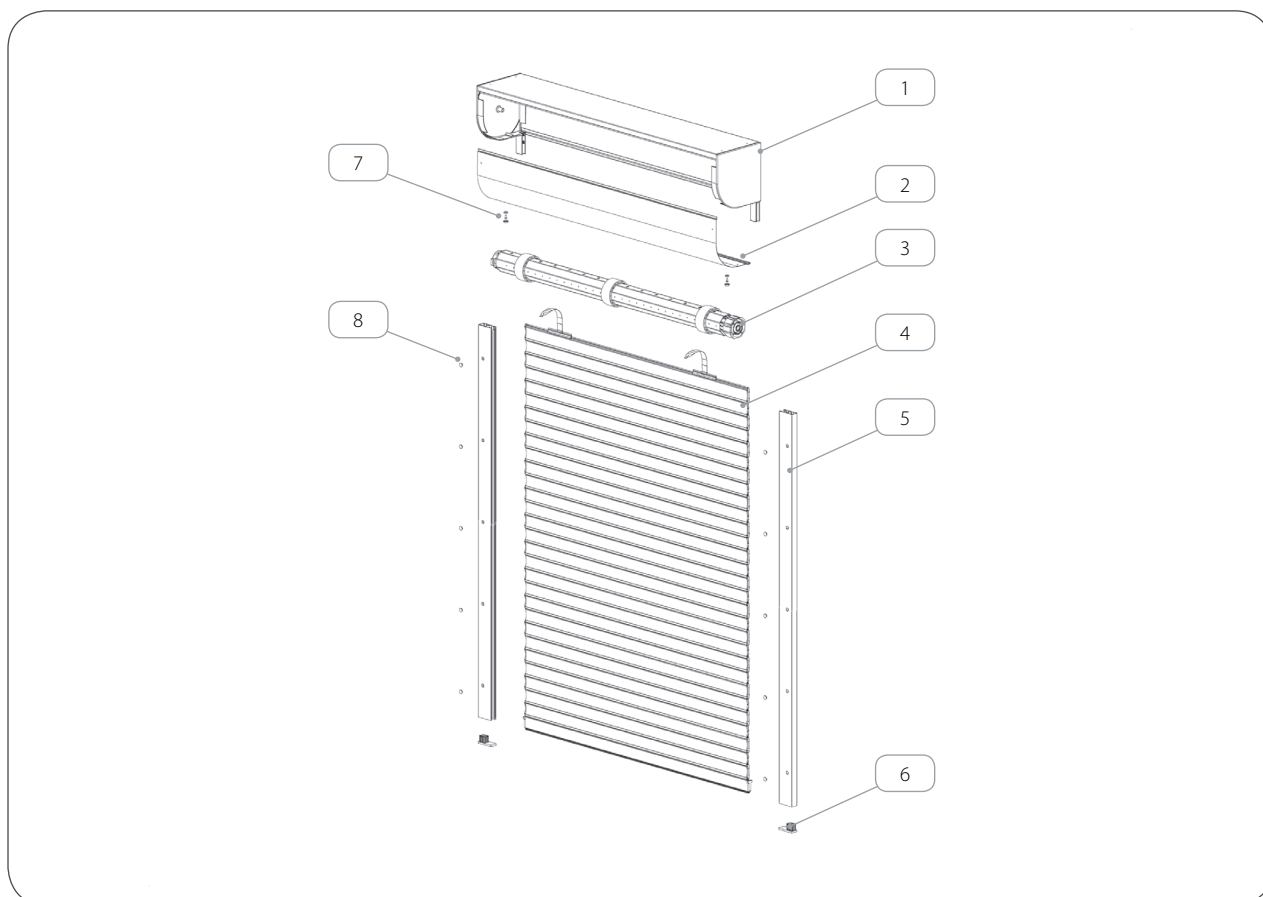


3. PRE-ASSEMBLY WORK

3.1. List of components

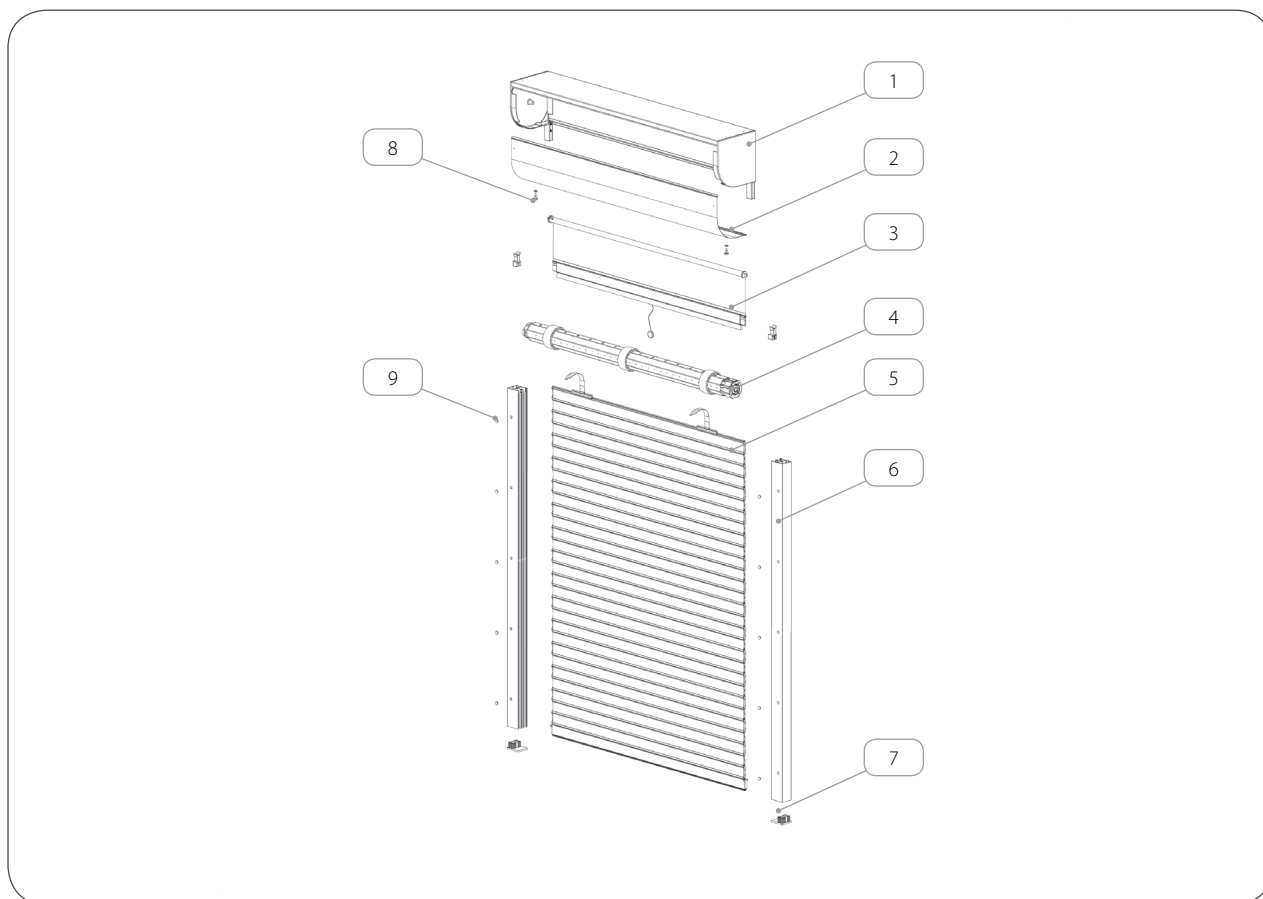
3.1.1. System SKP

 Before the installation it is necessary to unpack the item and check its quantity and quality.



	Name of the component	Catalogue code
1.	Assembled SKP box	
2.	Revision flap	SKP/D
3.	equipped reel	
4.	assembled curtain	
5.	Guide channel	
6.	Guide channel side lock	
7.	PVC cap with cover + Galvanized screw 3,9 x 9,5 mm	ZPK 10 + WKR/Zn/W/3,9x9,5
8.	PVC cap	

3.1.2. SKP with Moskito system




	Name of the component	Catalogue code
1.	Assembled SKP box	
2.	Revision flap	SKP/D
3.	Moskito set	ZMKT
4.	equipped reel	
5.	assembled curtain	
6.	Guide channel	
7.	Guide channel side lock	
8.	PVC cap with cover + Galvanized screw 3,9 x 9,5 mm	ZPK 10 + WKR/Zn/W/3,9x9,5
9.	PVC cap	

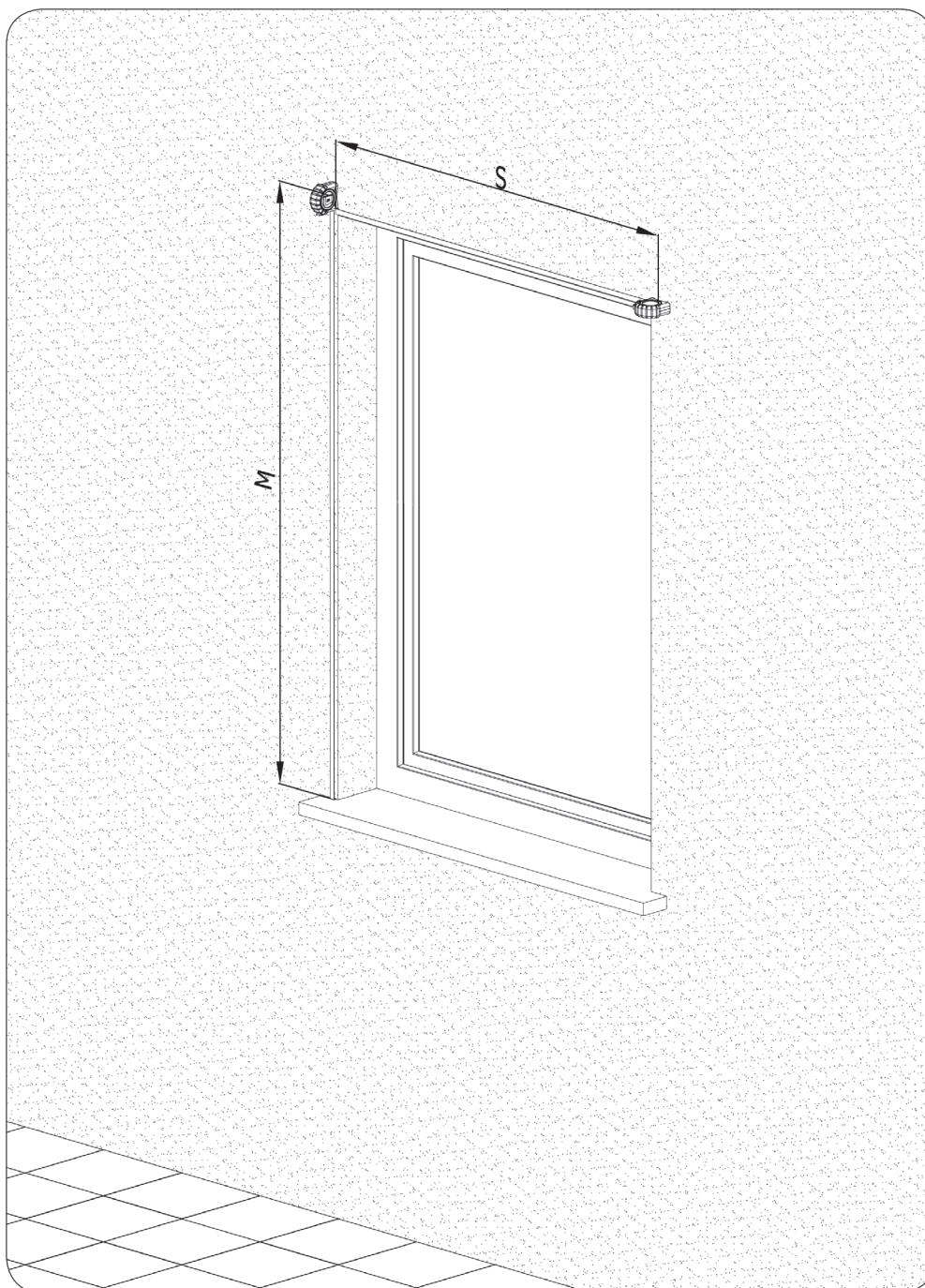
3.2. Dimensioning

Where:

S - RECESS WIDTH

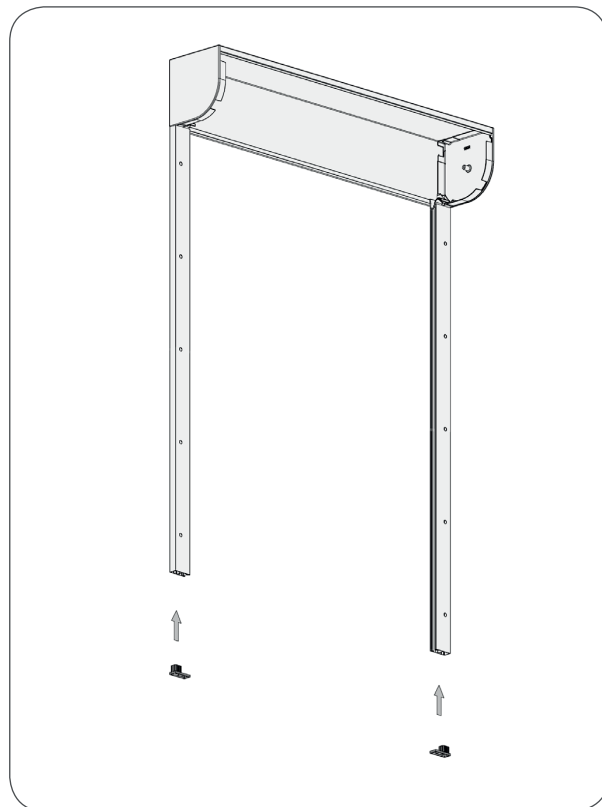
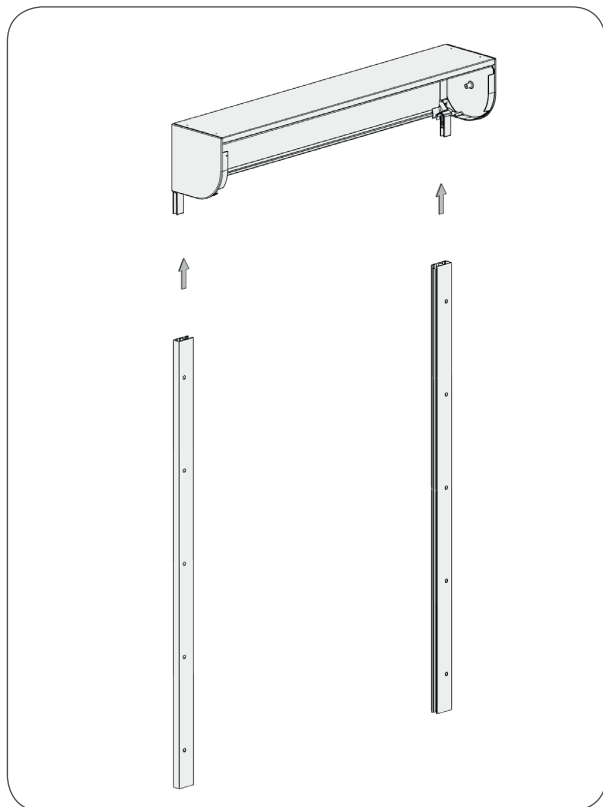
M - RECESS HEIGHT

 Check the dimensions compliance of the roller shutter installation place.

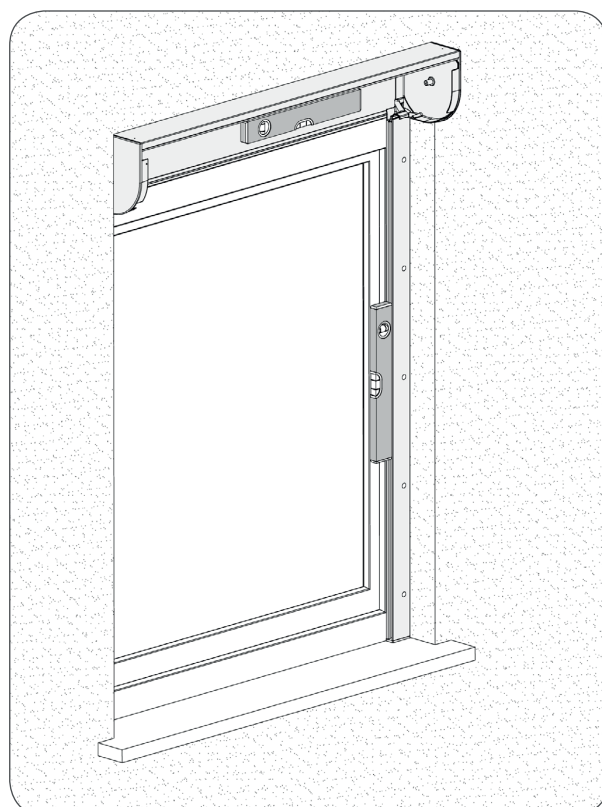
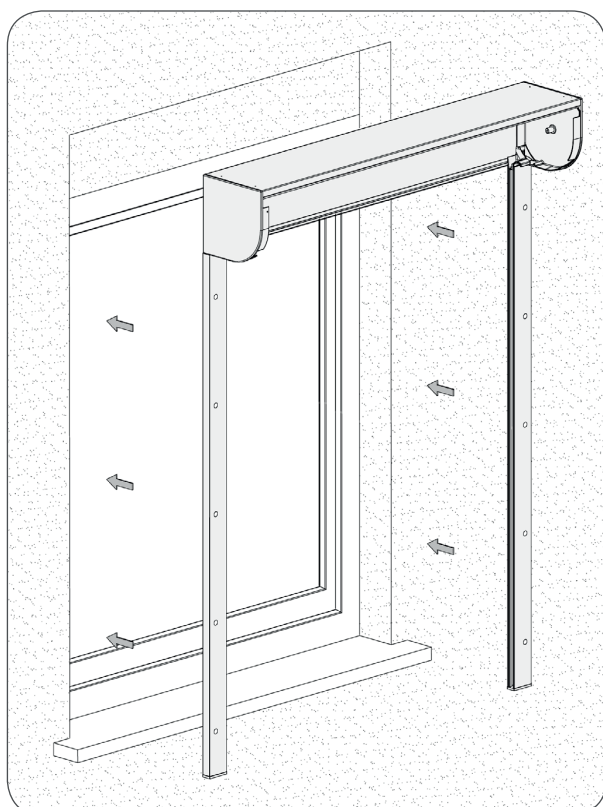


4. INSTALLATION SCHEME

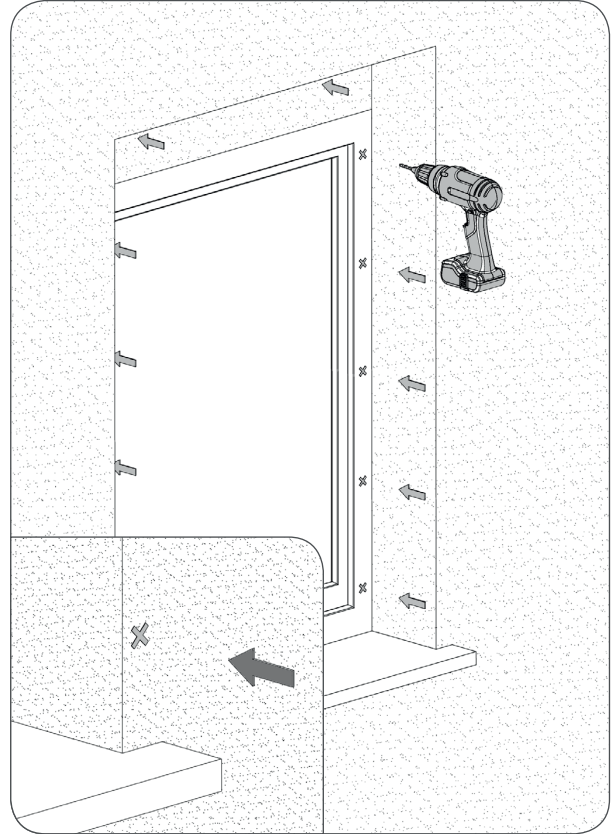
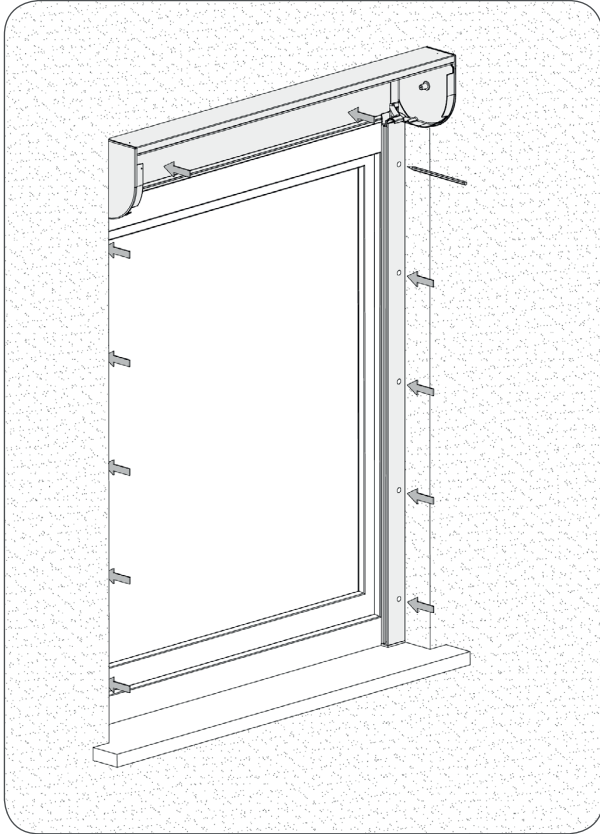
a) Mount the box in guide channels and insert side locks.



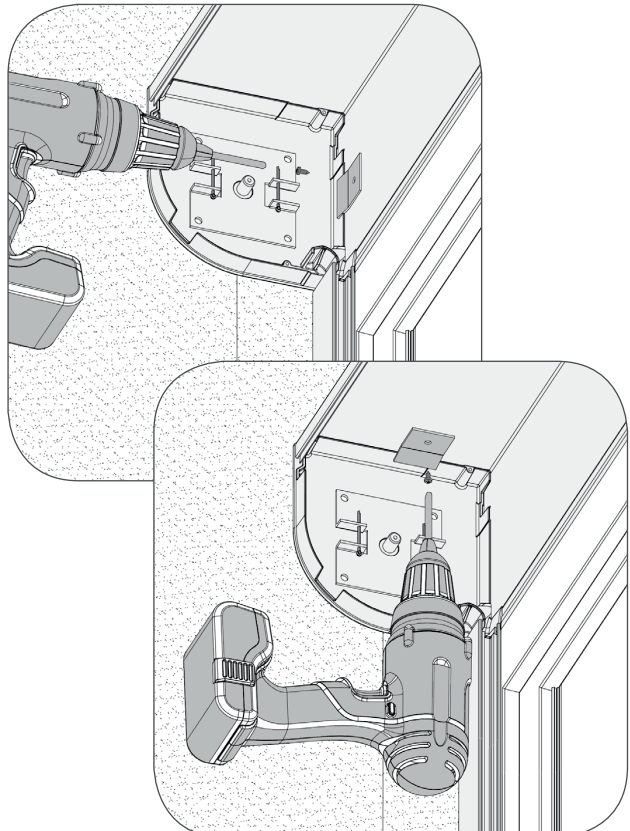
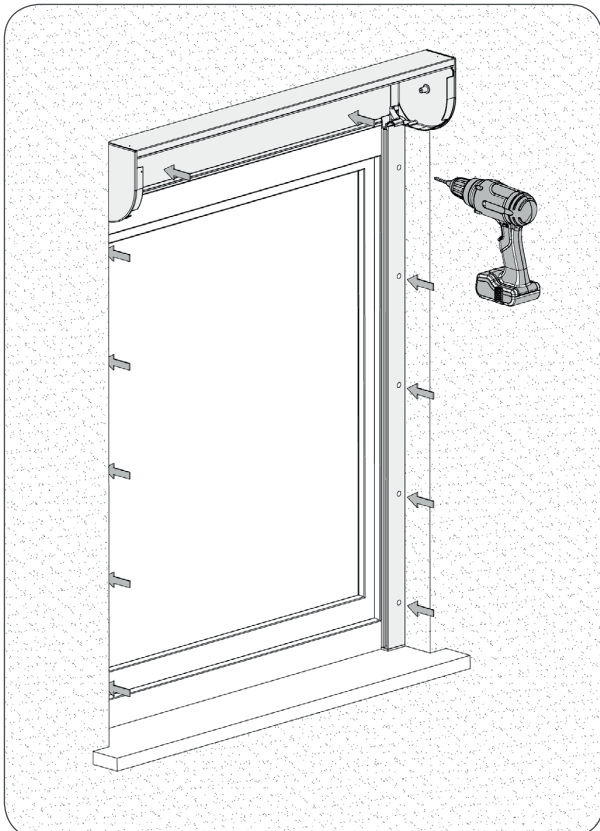
b) Position the guide channels and check the perpendicularity.



c) Mark and drill the holes.

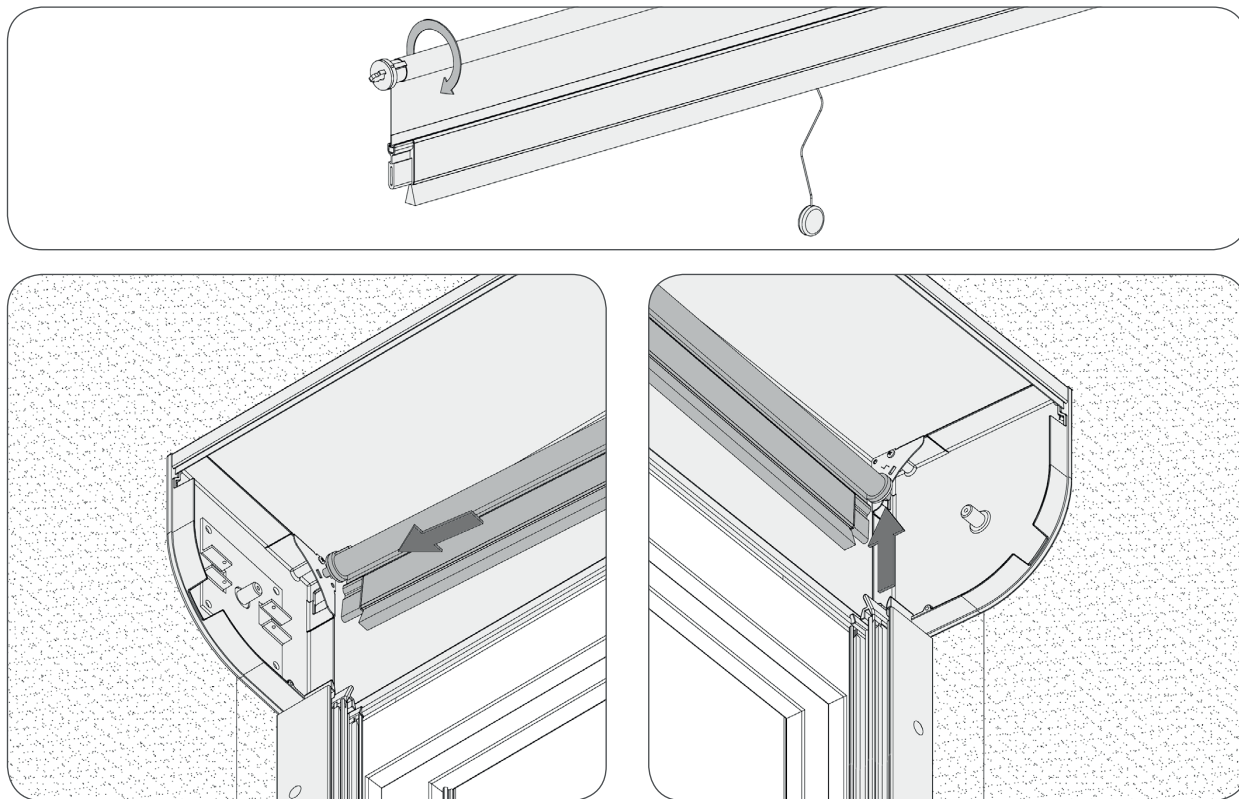


d) Screw on the guide channels and the box.

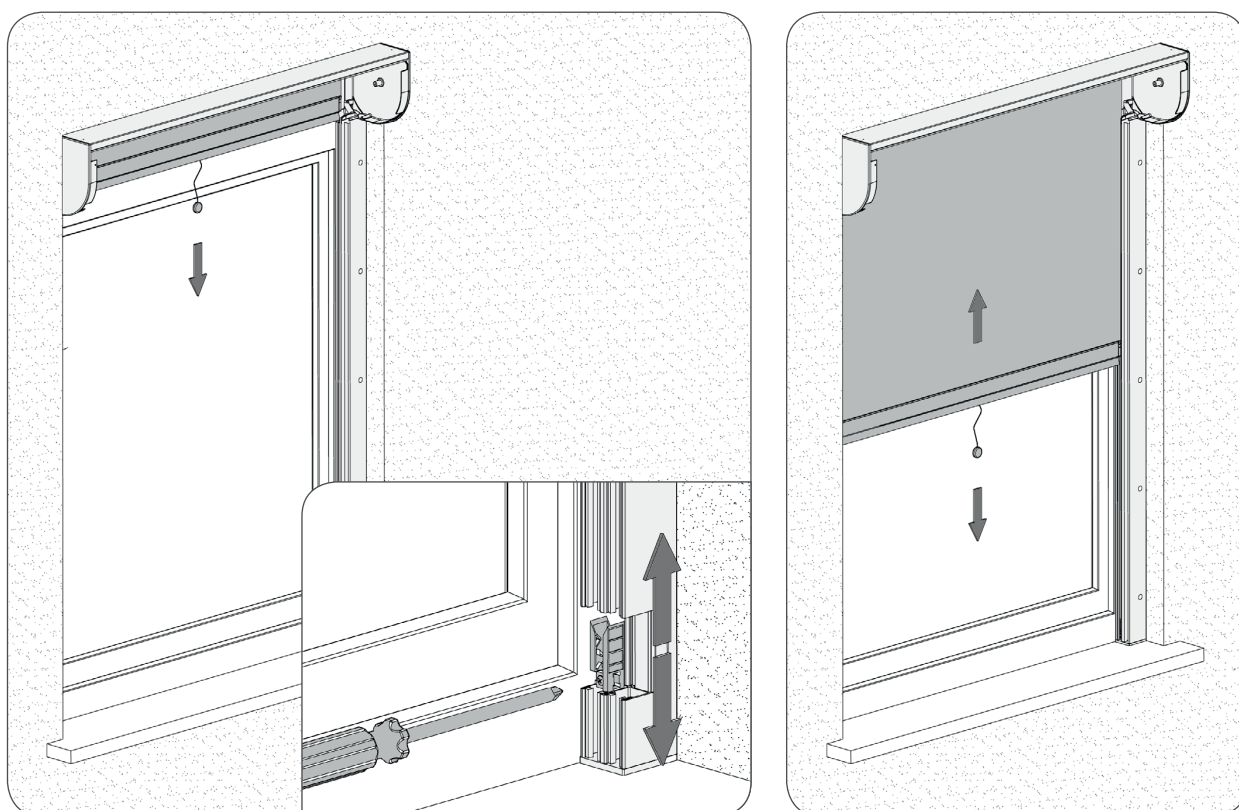


Moskito Installation (e steps, f optional)

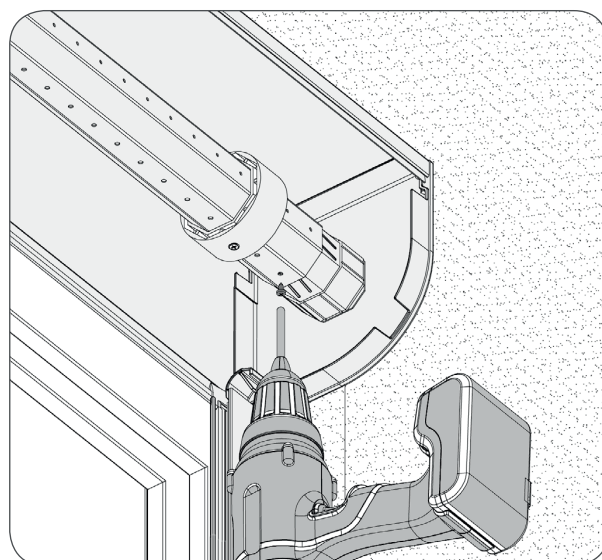
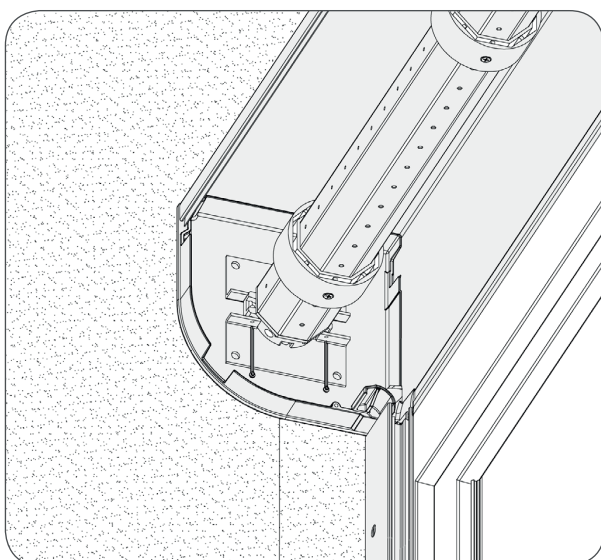
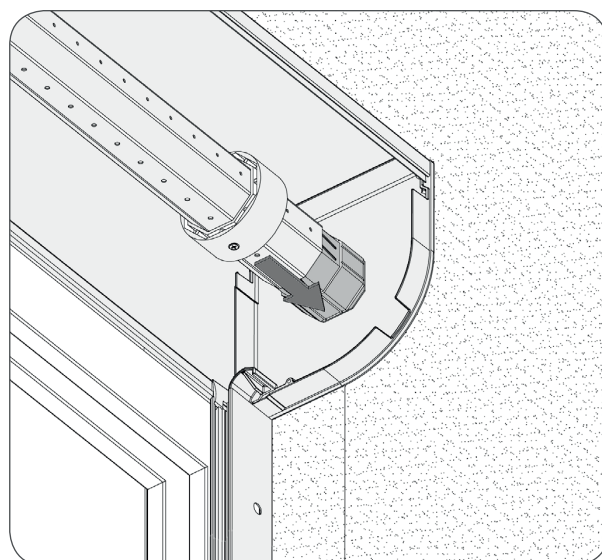
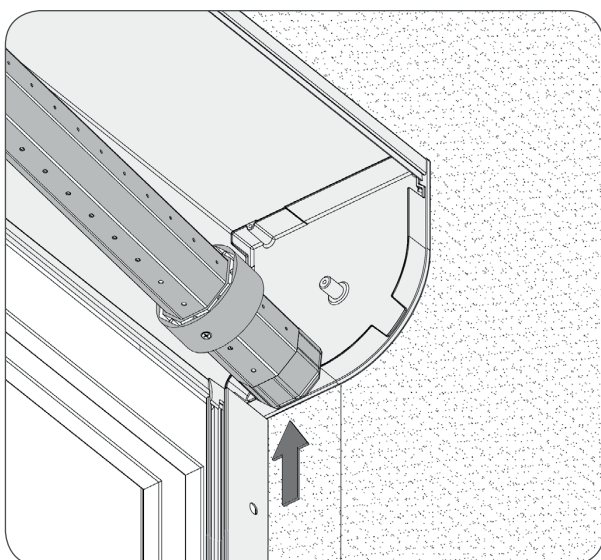
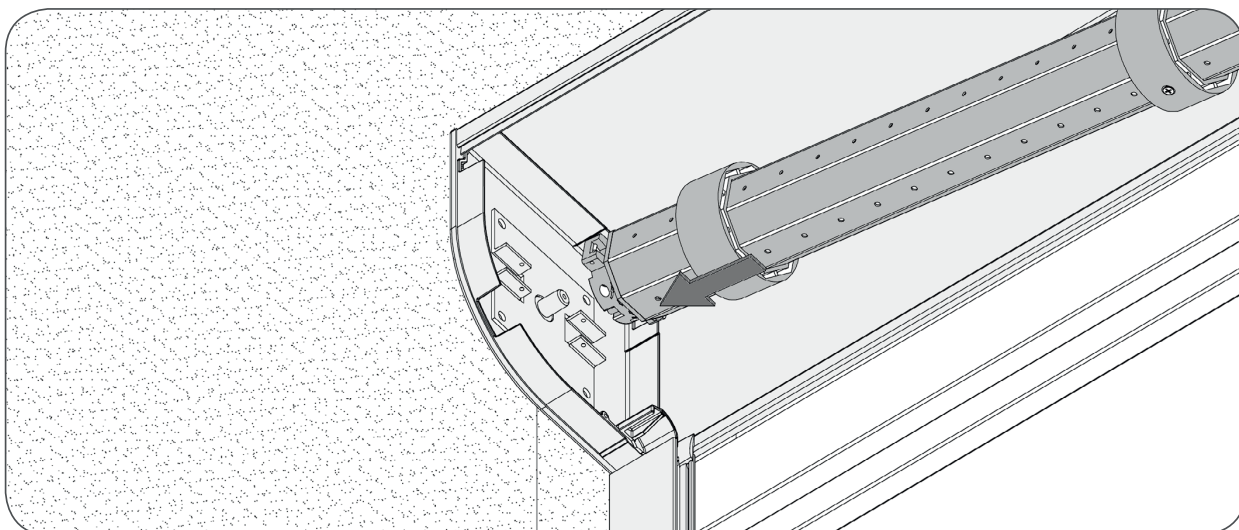
a) Wind the spring and insert insect screen set in brackets.



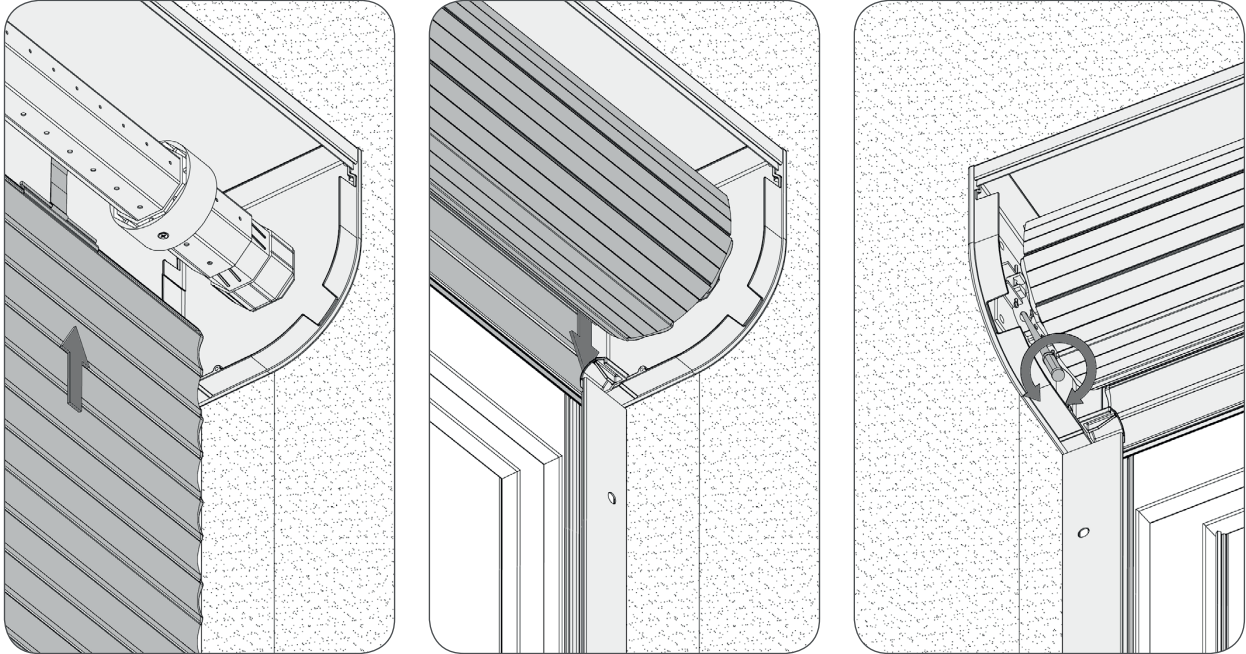
b) Lower the insect screen net and adjust the socket. Check operation.



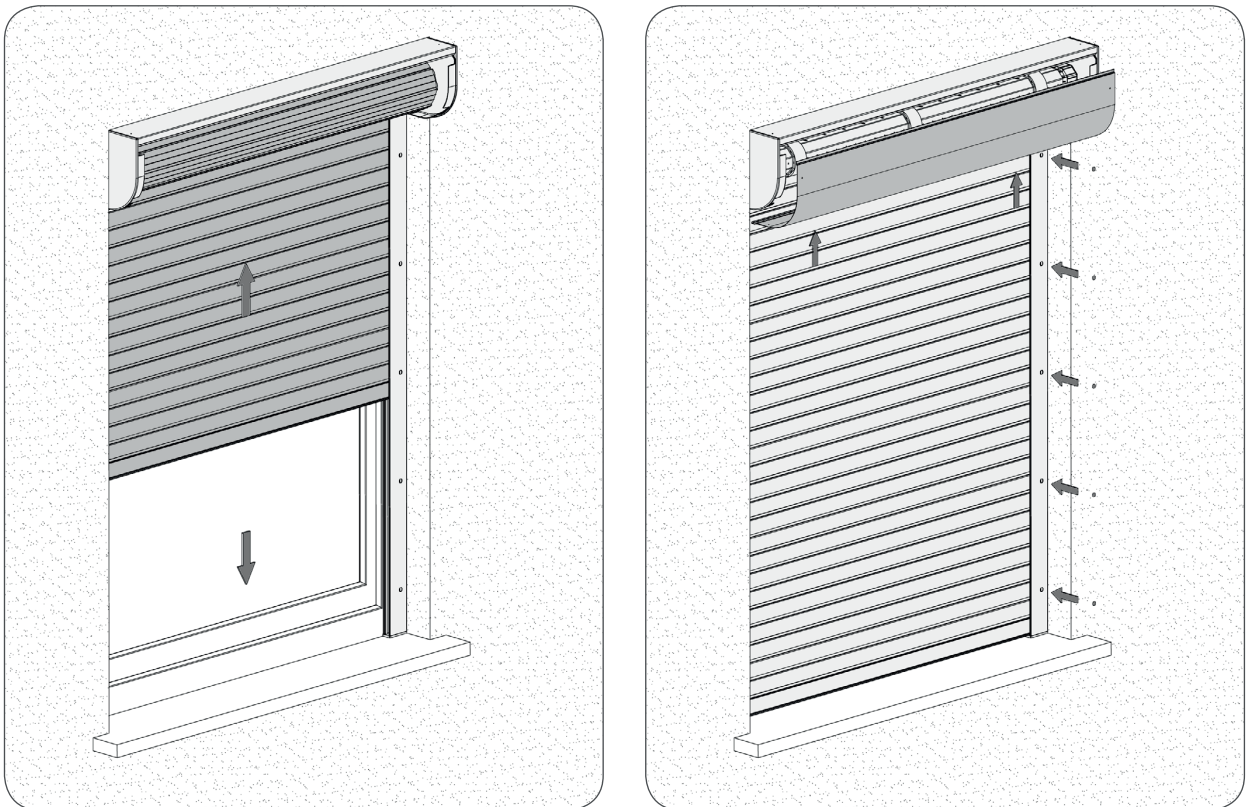
g) Insert assembled reel.



h) Wind the curtain, in the guide channels insert end slat and set limit positions.



i) Check operation. Close the box and insert the plugs.



5. AFTER THE INSTALLATION, REMOVE THE THREADS SECURING THE BRUSH SEAL.