



ASSEMBLY INSTRUCTIONS FOR THE **VERTI MPH INSECT SCREEN**

CONTENTS

1. GENERAL RECOMMENDATIONS	3
2. INSTALLATION TOOLS	3
3. DIMENSIONING	4
4. INSECT SCREEN WITH LOWER TENSION	5
4.1. Initial guidelines	5
4.2. Insect screen components	6
4.2.1. Insect screen mounted independently	6
4.2.2. Insect screen mounted with adaptive and under plaster roller shutter systems with PPMO53 guide channels	8
4.2.3. Insect screen mounted with top-mounted roller shutter system with PPMO 60/12, PPMO 60/17 guide channels	10
4.3. Scheme for installation of the insect screen	12
4.3.1. Insect screen mounted independently	12
4.3.1.1. Mounting in the recess	12
4.3.1.2. Wall mounting	14
4.3.2. Insect screen mounted with roller shutter	17
4.3.2.1. Adaptive and under plaster roller shutter systems with PPMO53 guide channels	17
4.3.2.2. Top-mounted roller shutter system with PPMO 60/12, PPMO 60/17 guide channels	20
5. INSECT SCREEN WITH TOP TENSION	22
5.1. Insect screen components	22
5.1.1. Insect screen mounted independently	22
5.1.2. Insect screen mounted with top-mounted roller shutter system with PPMO 60/12, PPMO 60/17 guide channels	23
5.2. Scheme for installation of the insect screen	24
5.2.1. Insect screen mounted independently	24
5.2.1.1. Mounting in the recess	24
5.2.1.2. Wall mounting	27
5.2.2. Insect screen mounted with roller shutter	30
5.2.2.1. Top-mounted roller shutter system with PPMO 60/12, PPMO 60/17 guide channels	30

The content of this documentation is protected in accordance with the applicable provisions of the law of the Republic of Poland, in particular the Act of 4 February 1994 on copyrights and related rights (Journal of Laws of 2006, No. 90, item 631, as amended), and in accordance with the provisions of the European Union law, in particular with Directive 2001/29/EC of the European Parliament and of the Council of 22 May 2001 on the harmonisation of certain aspects of copyright and related rights in the information society (Official Journal of the European Union, L 2001, No. 167, page 10, as amended). Any downloading or reproduction of the entire documentation or its part for further dissemination, without the consent of Aluprof S.A., is illegal and will result in criminal and civil law liability.

1. GENERAL RECOMMENDATIONS

Current health and safety laws should be obeyed, particularly regarding safety of electrical equipment and working at heights.

It is necessary to use the following for the installation:

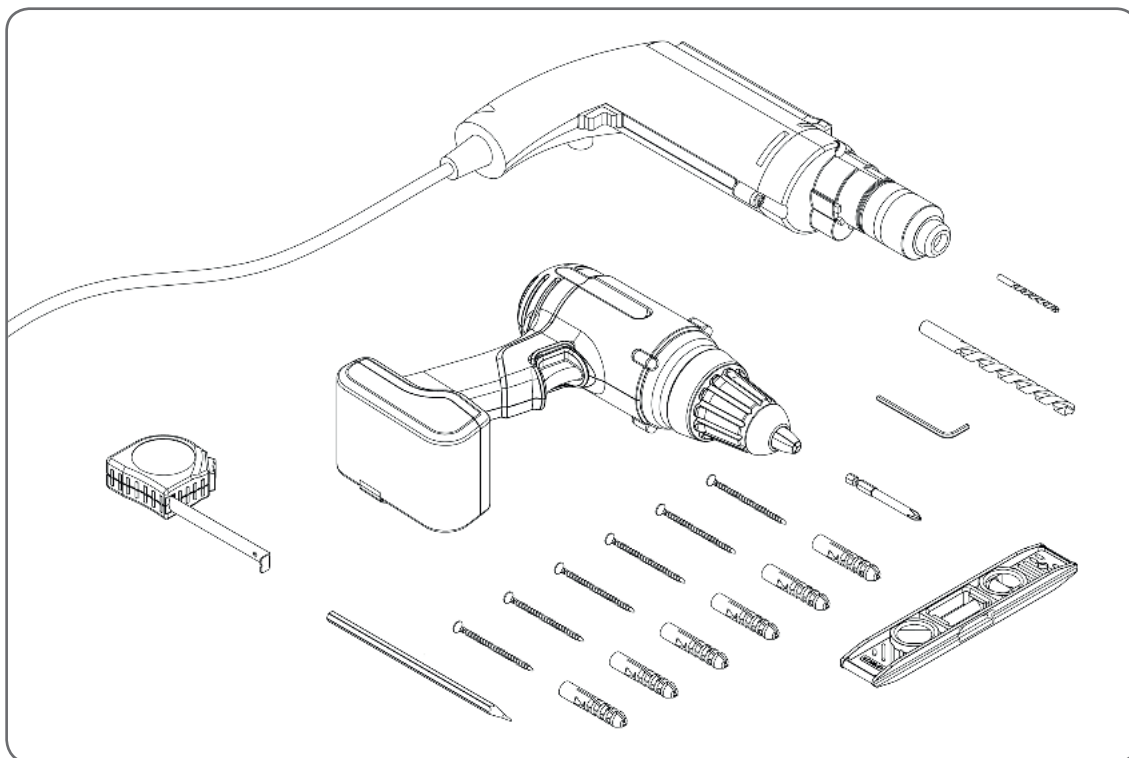
- If the installation is performed to the reinforced concrete lintel or on a solid brick - use rawlplugs $\varnothing 6-8$ mm.
- If the installation is performed to a wall made of porous materials - use suitable installation systems for this type of walls.
- If the installation is performed to the walls made of cavity brick or aerated concrete, etc. - use plugs for cavity brick.

Installation conditions:

- For walls - perform an installation to even surfaces of a proper durability, made in accordance with effective regulations of Building Law
- For metal constructions - perform an installation to materials with a proper thickness of walls joined with one another in accordance with effective rules of metalworking.

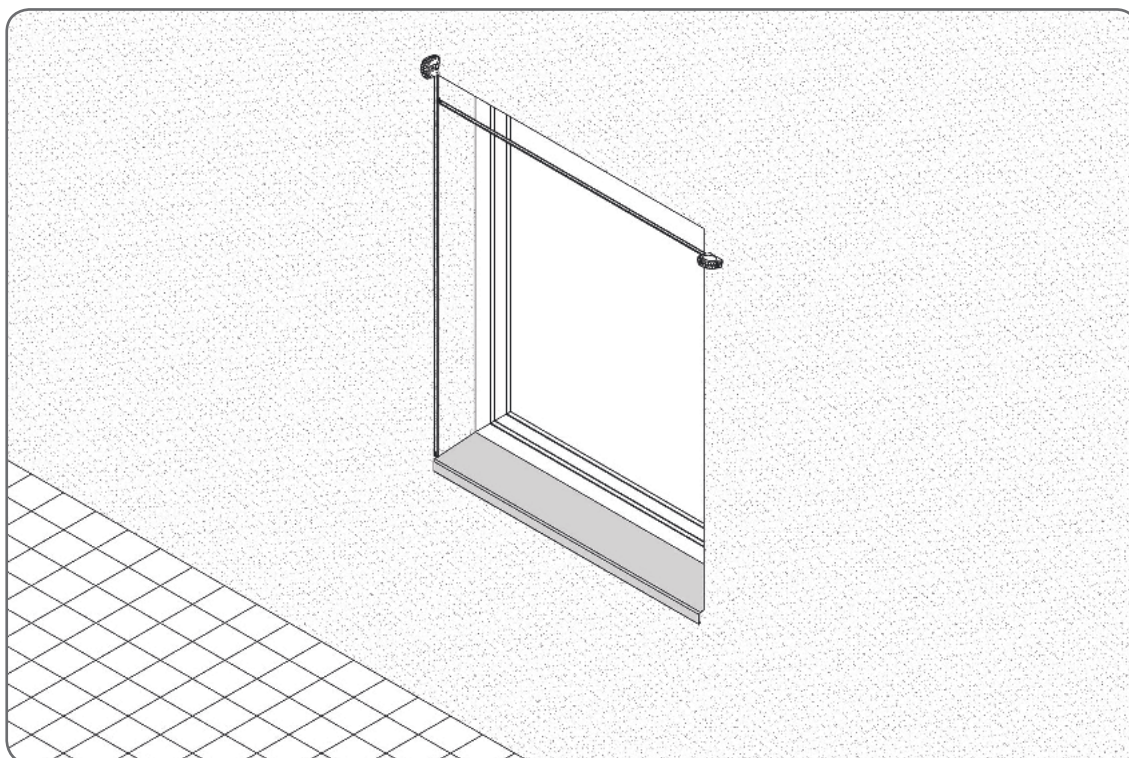
 Installation instructions for insect screens should be treated as an example.

2. INSTALLATION TOOLS



3. DIMENSIONING

Check the measurements of the mounting place.

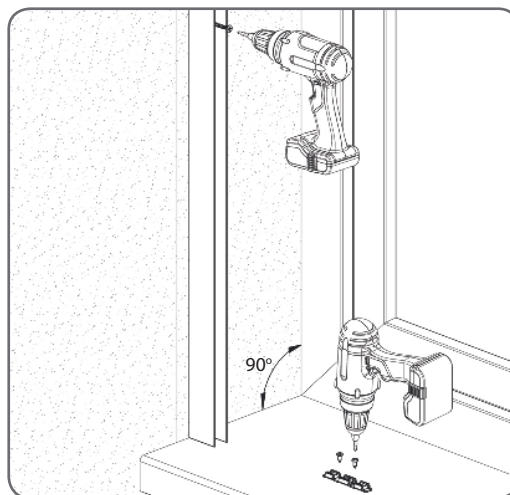
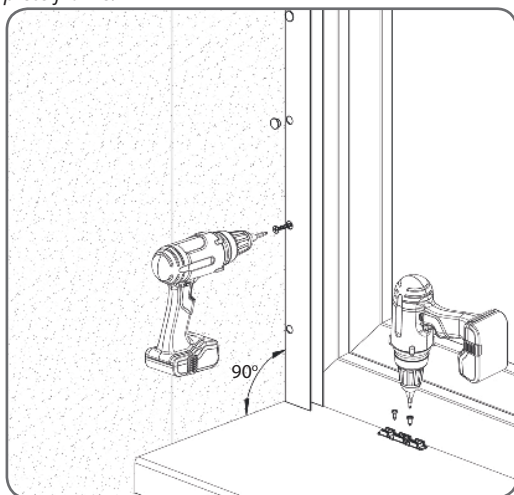


4. INSECT SCREEN WITH LOWER TENSION

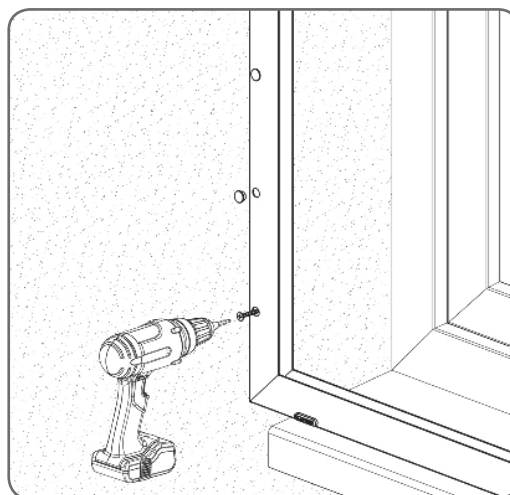
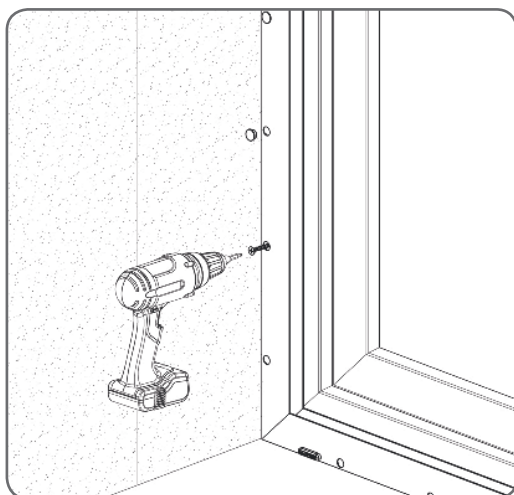
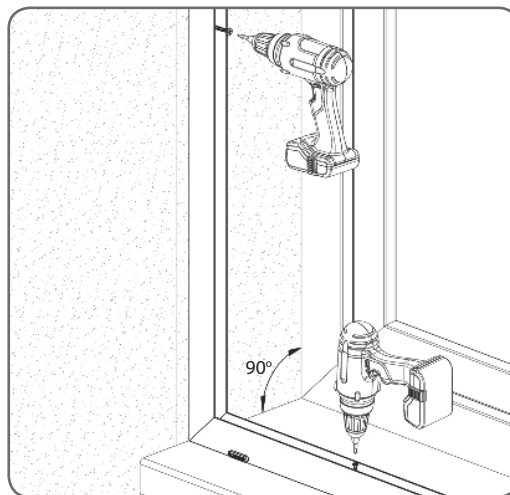
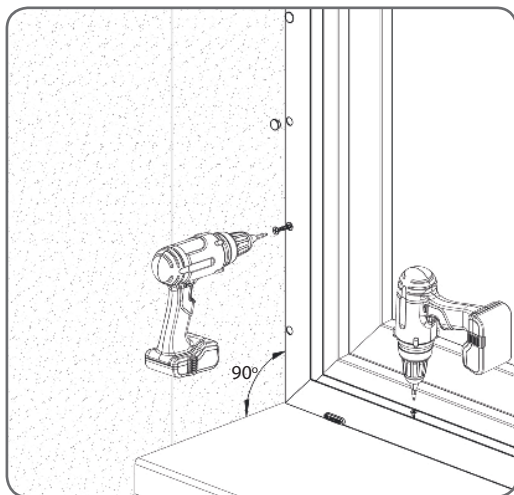
4.1. Initial guidelines

 *Installation of the insect screen can be only to the flat surface in other cases installation to window joinery or elevation with guide channel at the bottom (full frame).*

VERSION I - incomplete frame.



VERSION II - full frame.

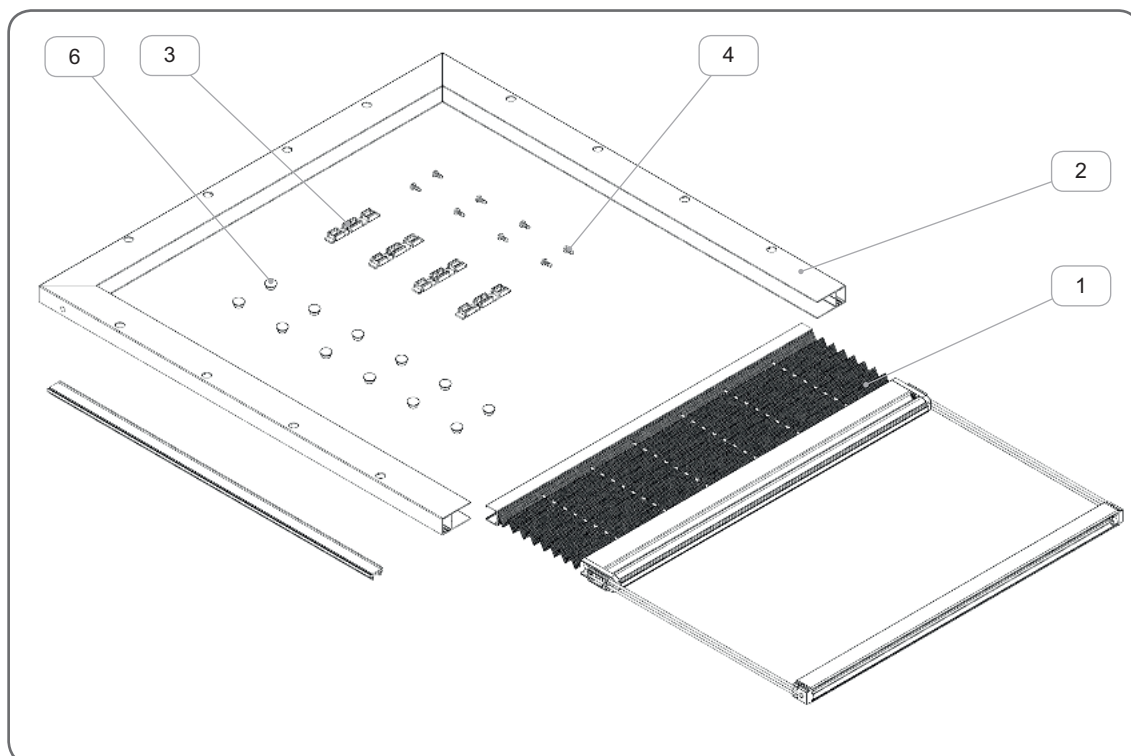


4.2. Insect screen components

 Before the installation it is necessary to unpack the item and check its quantity and quality.

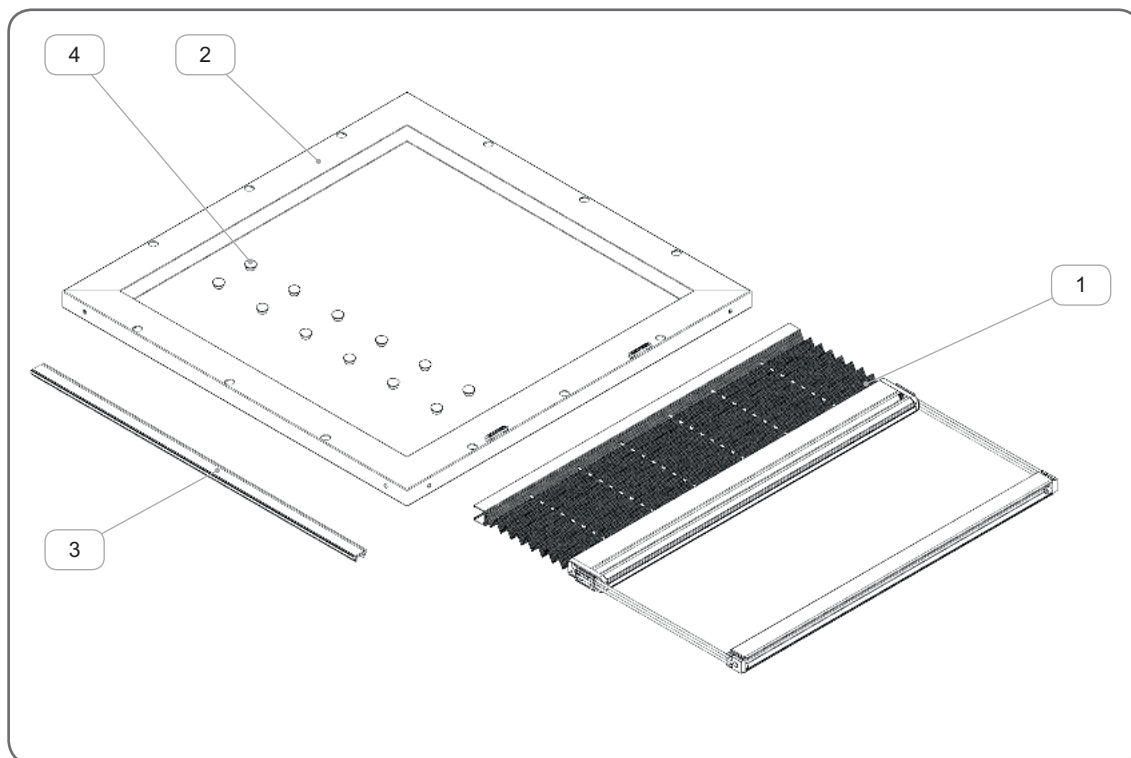
4.2.1. Insect screen mounted independently

VERSION I - incomplete frame.



	Name of the component	Catalogue code
1	MPH set	
2	Insect screen frame	
3	Net latch	ZS/A MPH
4	Galvanized screw	WKR/Zn/W/3,5x9,5
5	Masking profile	PM MPH
6	Cups (may occur depending on the method of installation)	ZP 10/3,5

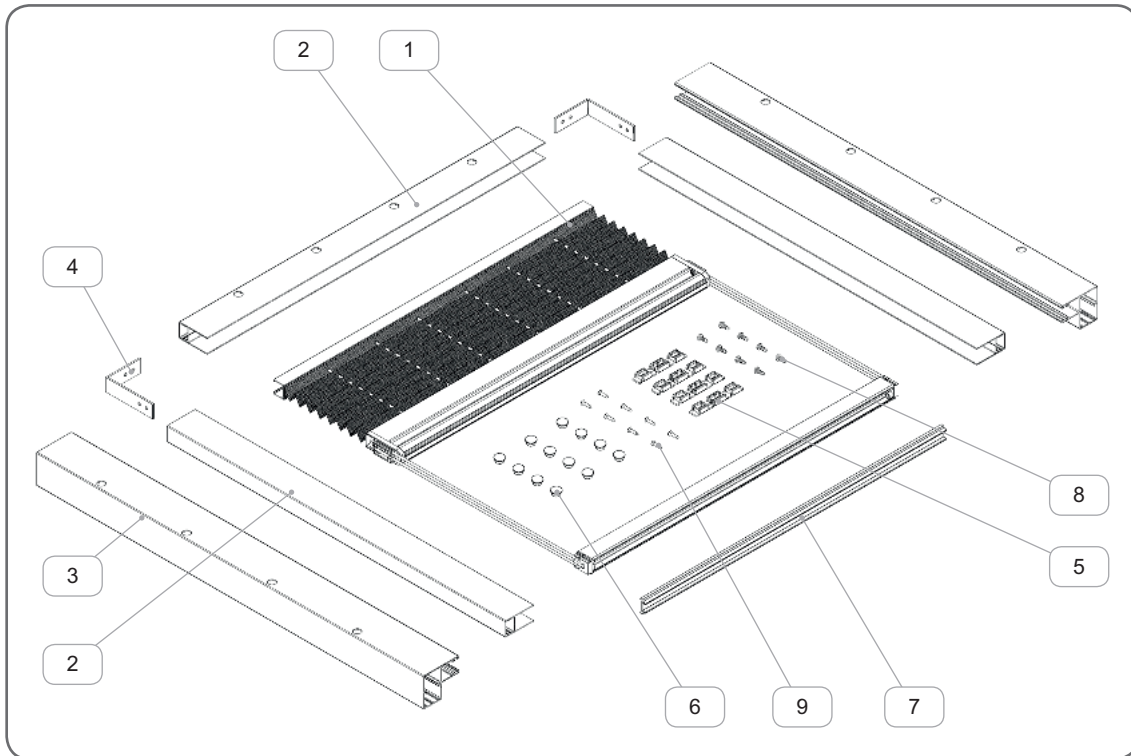
VERSION II - full frame.



	Name of the component	Catalogue code
1	MPH set	
2	Insect screen frame	
3	Masking profile	PM MPH
4	Cups (may occur depending on the method of installation)	ZP 10/3,5

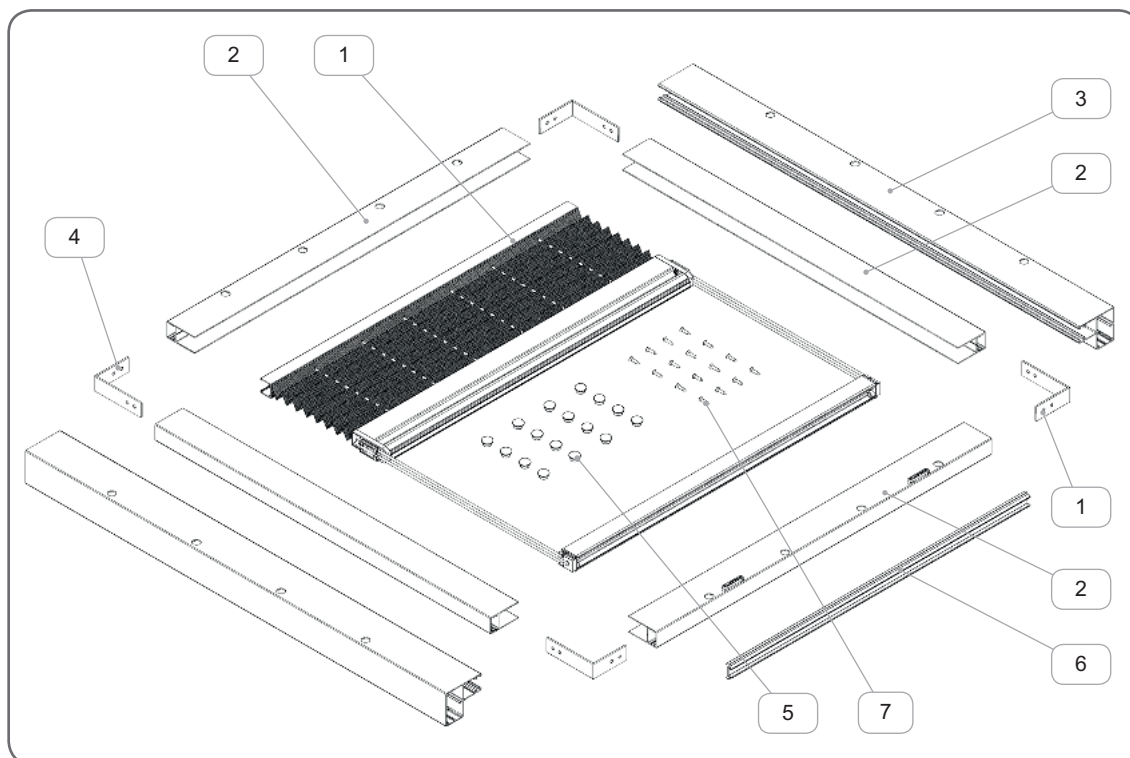
4.2.2. Insect screen mounted with adaptive and under plaster roller shutter systems with PPMO53 guide channels.

VERSION I - incomplete frame.



	Name of the component	Catalogue code
1	MPH set	
2	Guide channel	PP MPH
3	Guide channel with offset for an insect screen	PPMO 53
4	Mounting angle	KT MPH
5	Net latch	ZS/A MPH
6	Cups (may occur depending on the method of installation)	ZP 10/3,5
7	Masking profile	PM MPH
8	Galvanized screw	WKR/Zn/W/3,5x9,5
9	Galvanized screw	WKR/Zn/S/2,9x13

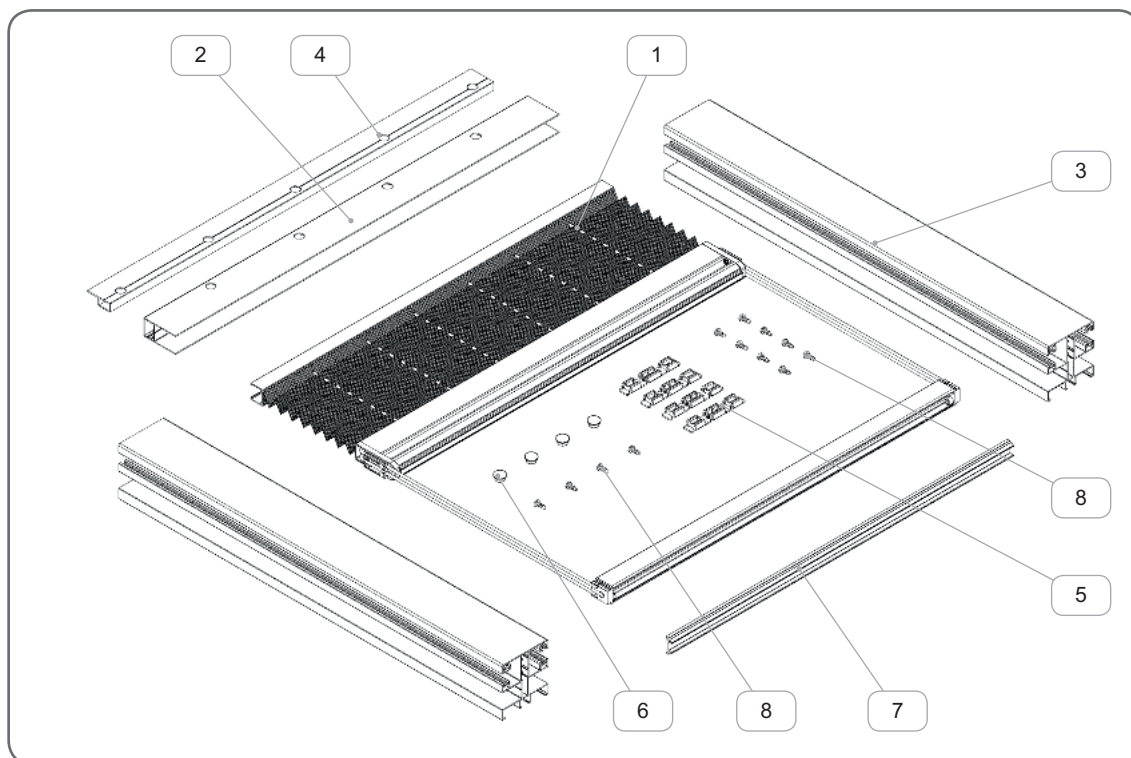
VERSION II - full frame.



	Name of the component	Catalogue code
1	MPH set	
2	Guide channel	PP MPH
3	Guide channel with offset for an insect screen	PPMO 53
4	Mounting angle	KT MPH
5	Cups (may occur depending on the method of installation)	ZP 10/3,5
6	Masking profile	PM MPH
7	Galvanized screw	WKR/Zn/S/2,9x13

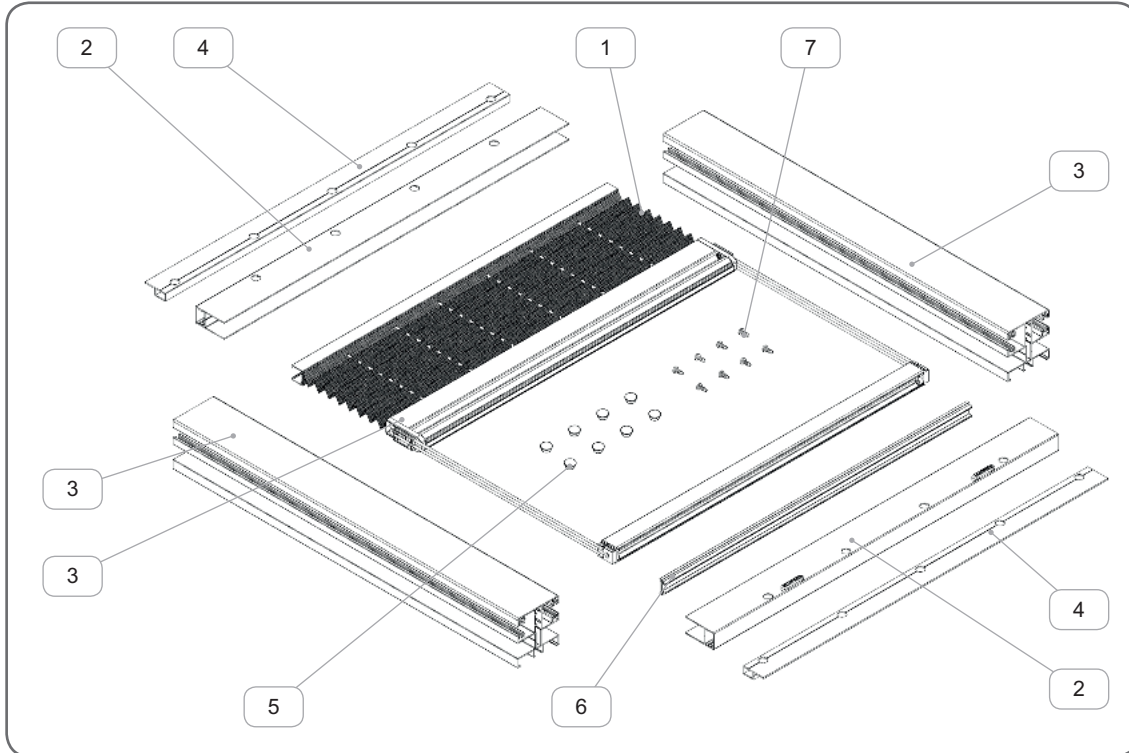
4.2.3. Insect screen mounted with top-mounted roller shutter system with PPMO 60/12, PPMO 60/17 guide channels.

VERSION I - incomplete frame.



	Name of the component	Catalogue code
1	MPH set	
2	Guide channel	PP MPH
3	Guide channel with chamber for insect screen	PPMO 60/12, PPMO 60/17
4	Rail	SZJ-1/10 MRP, SZJP-1 MRP
5	Net latch	ZS/A MPH
6	Cap	ZP 10/3,5
7	Masking profile	PM MPH
8	Galvanized screw	WKR/Zn/W/3,5x9,5

VERSION II - full frame.



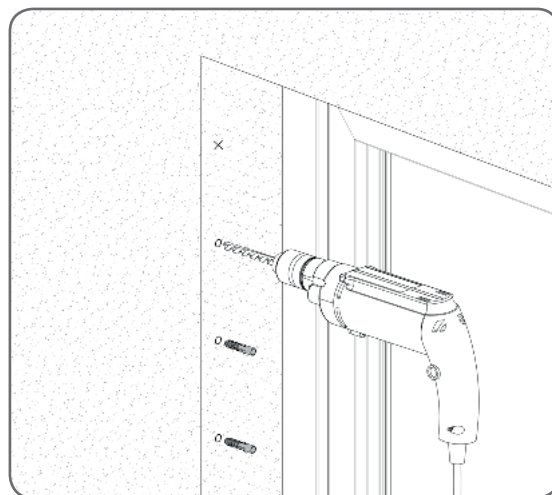
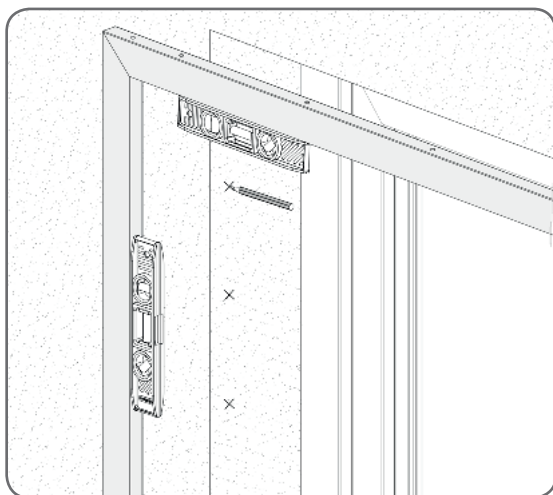
	Name of the component	Catalogue code
1	MPH set	
2	Guide channel	PP MPH
3	Guide channel with chamber for insect screen	PPMO 60/12, PPMO 60/17
4	Rail	SZJ-1/10 MRP, SZJP-1 MRP
5	Cap	ZP 10/3,5
6	Masking profile	PM MPH
7	Galvanized screw	WKR/Zn/W/3,5x9,5

4.3. Scheme for installation of the insect screen

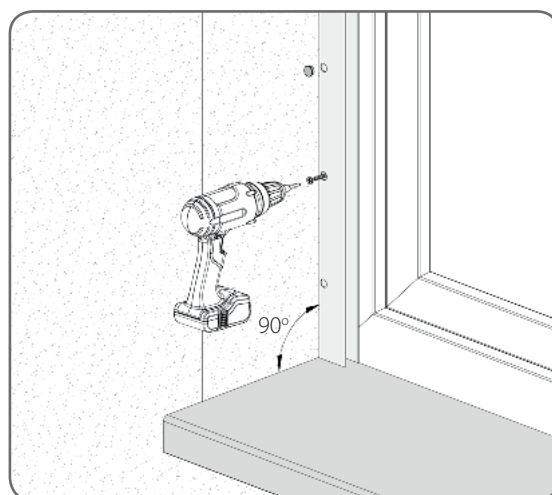
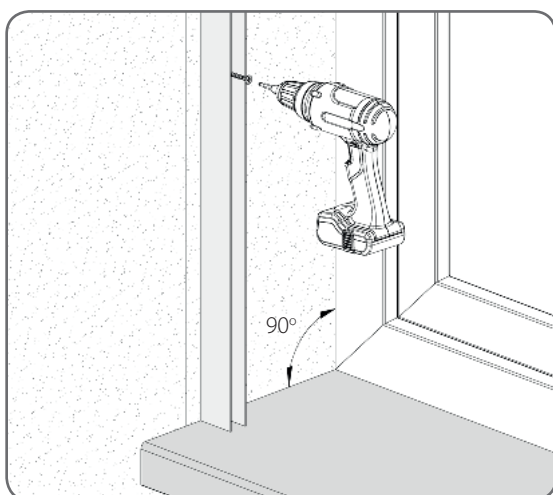
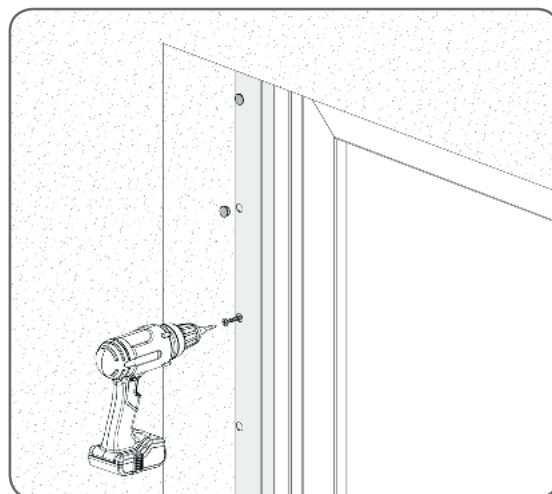
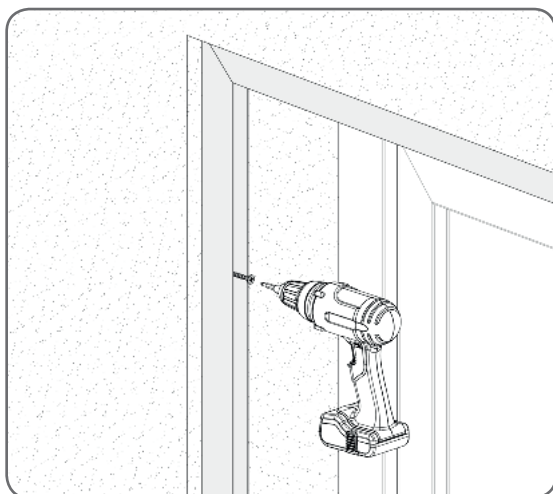
4.3.1. Insect screen mounted independently

4.3.1.1. Mounting in the recess

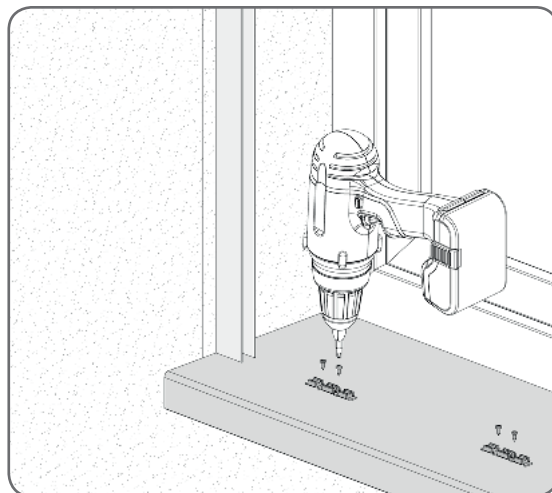
For the vertically and horizontally set insect screen frame designate the location of holes to screw this frame. Insert the dowels into the drilled holes.



Screw the entire frame to the wall, or directly to the window

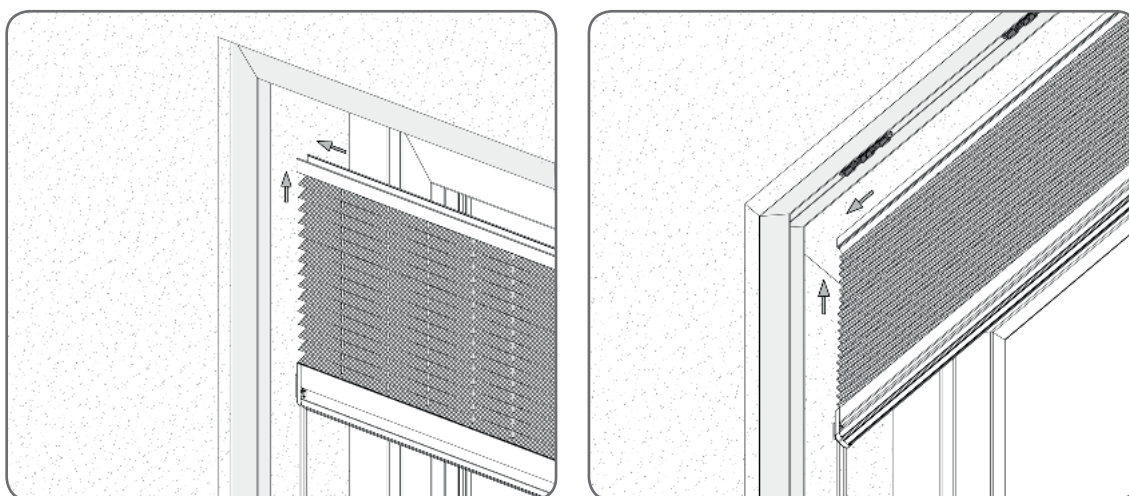


On an even and flat surface, screwed the net latches at equal intervals.



⚠ *Make sure that the surface to which the net latch will be screwed is as even as possible, otherwise there is a risk associated with the poor functioning of the insect screen.*

The MPH set should be clicked on the net latches mounted in the frame.



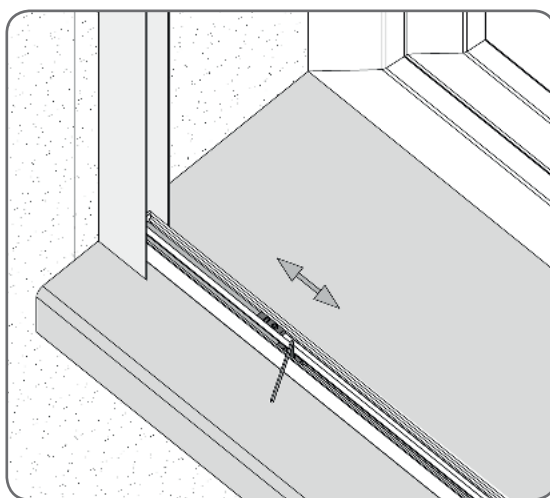
Similarly, mount the tension profile by snapping it on the bottom latches.




⚠ *While performing the above operations pay special attention to avoid crossing of the cords.*

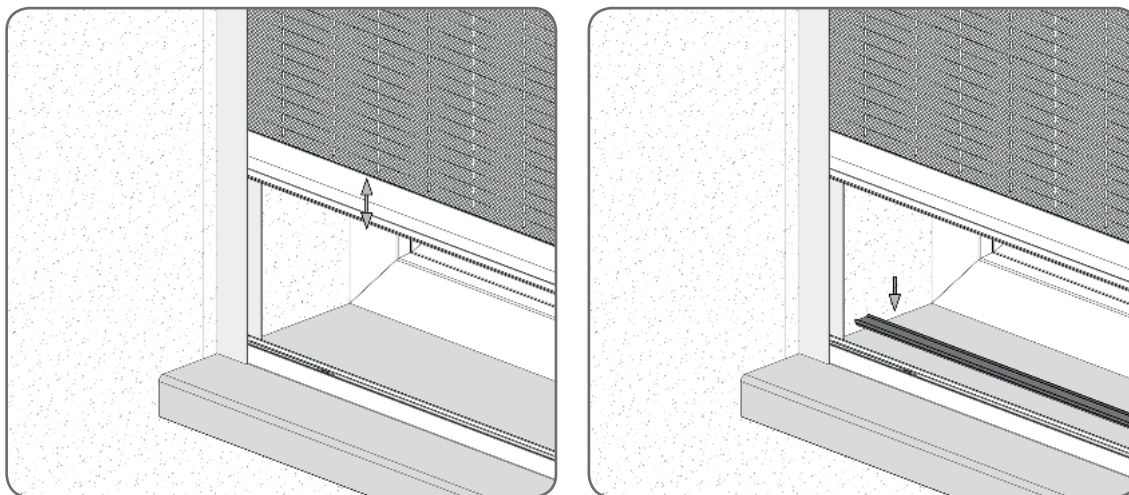
Adjust the tension of the cords in the tensioning profile by moving left/right the plastic endings. After the adjustment, tighten the screws with the Allen key.

 *The cords should not be tightened too hard, as this could damage the insect screen and tensioning of the cords should be done in a delicate and sensitive manner.*



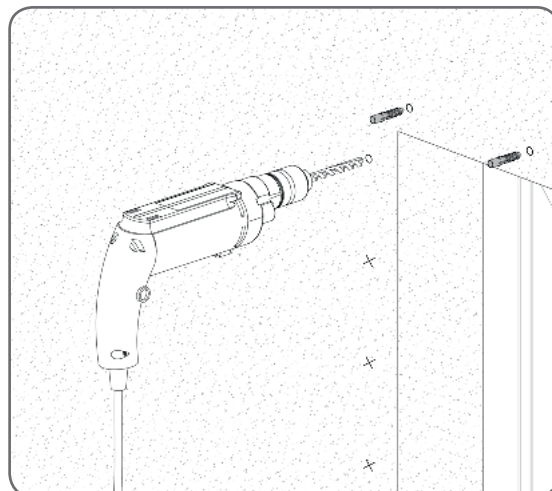
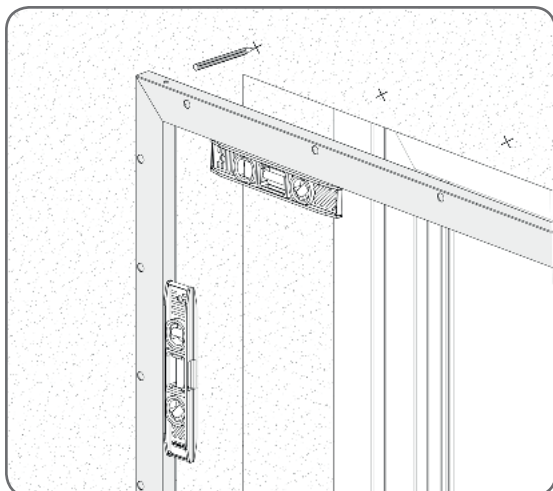
 *If necessary, cut the cords and tie them again.*

After the initial determination of the cords tensioning, check their tension by repeated opening and closing of the insect screen. Adjust the tension if necessary. Then click the masking profile on to tensioning profile.

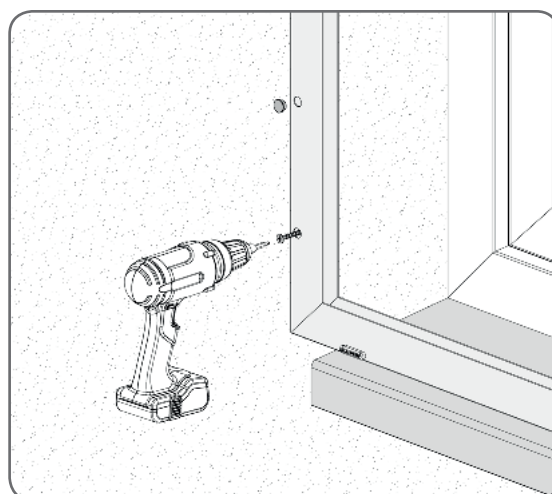
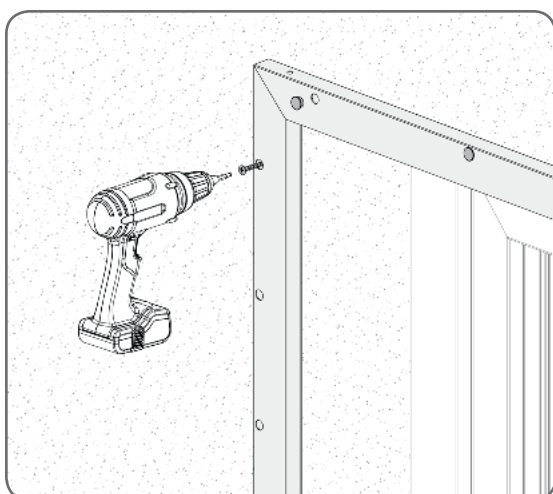


4.3.1.2. Wall mounting

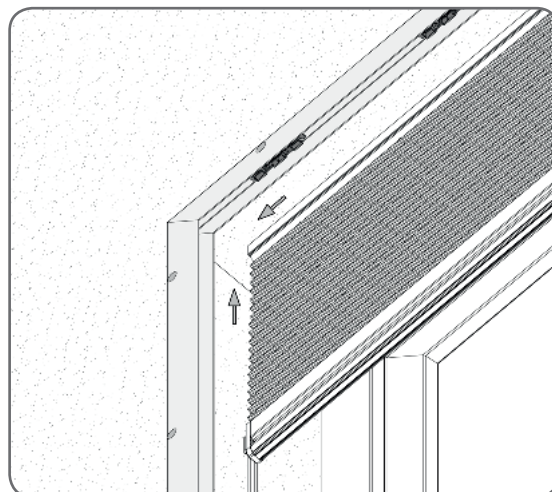
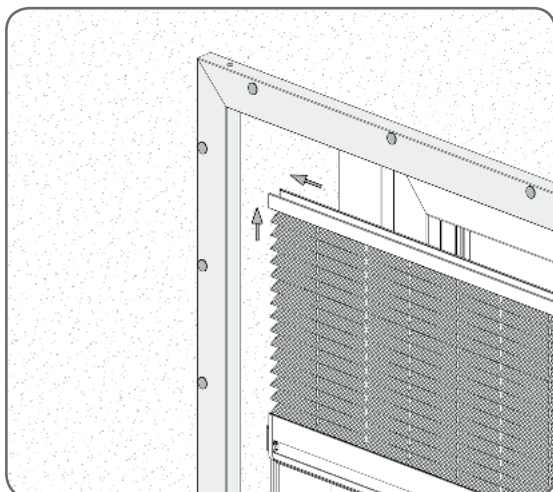
For the vertically and horizontally set insect screen frame designate the location of holes to screw this frame. Insert the dowels into the drilled holes.



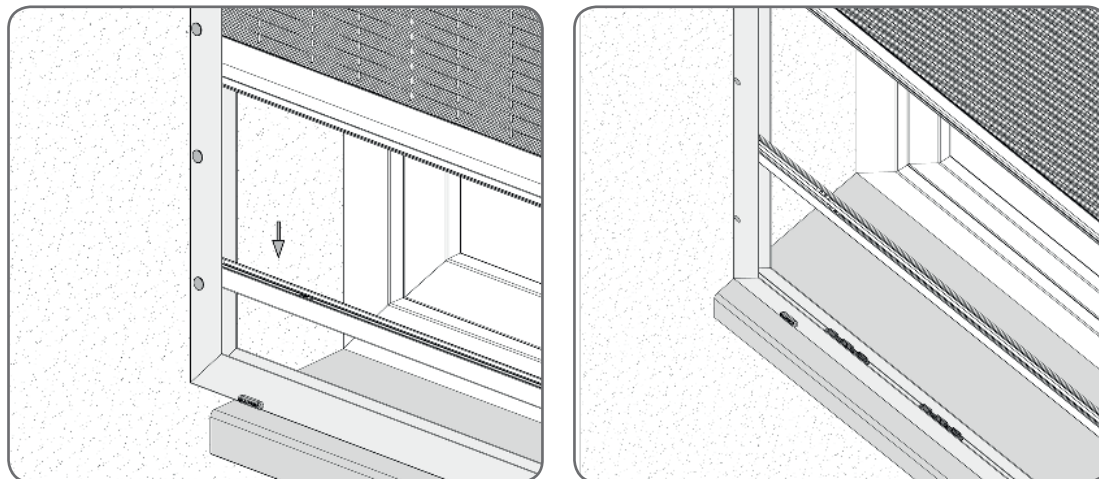
Screw the entire frame to the wall and secure mounting holes with side locks.



The MPH set should be clicked on the net latches mounted in the frame.

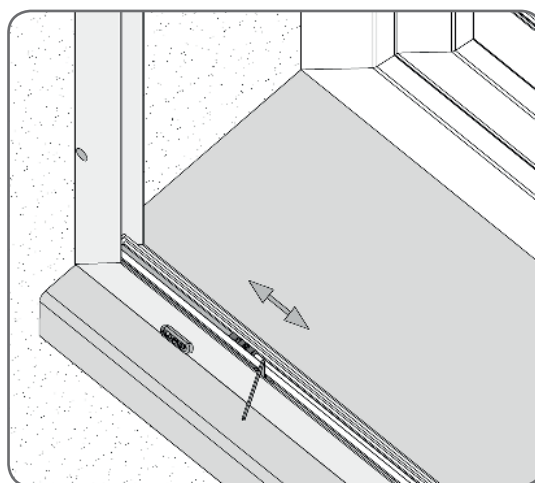



Similarly, mount the tension profile by snapping it on the bottom latches.



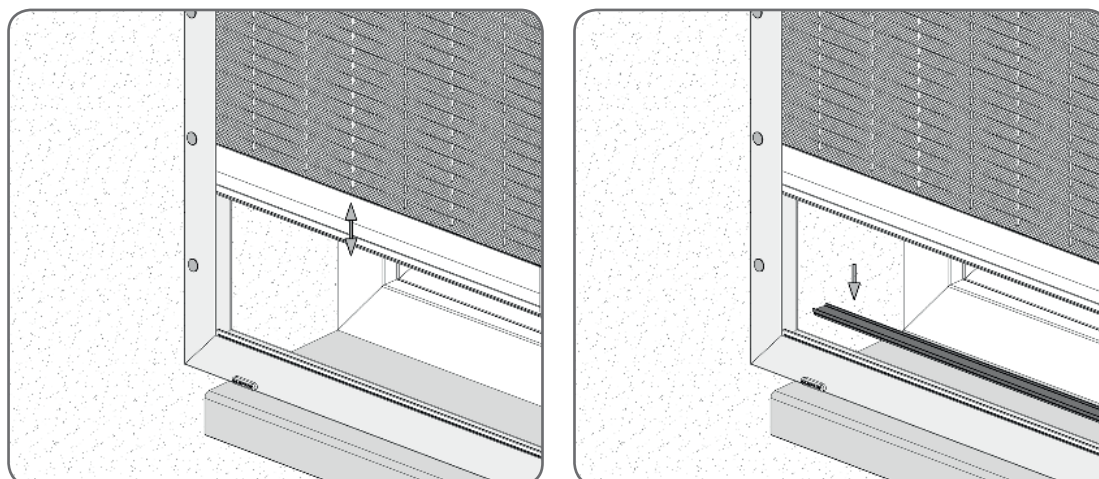
Adjust the tension of the cords in the tensioning profile by moving left/right the plastic endings. After the adjustment, tighten the screws with the Allen key.

 *The cords should not be tighten too hard, as this could damage the insect screen and tensioning of the cords should be done in a delicate and sensitive manner.*



 *If necessary, cut the cords and tie them again.*

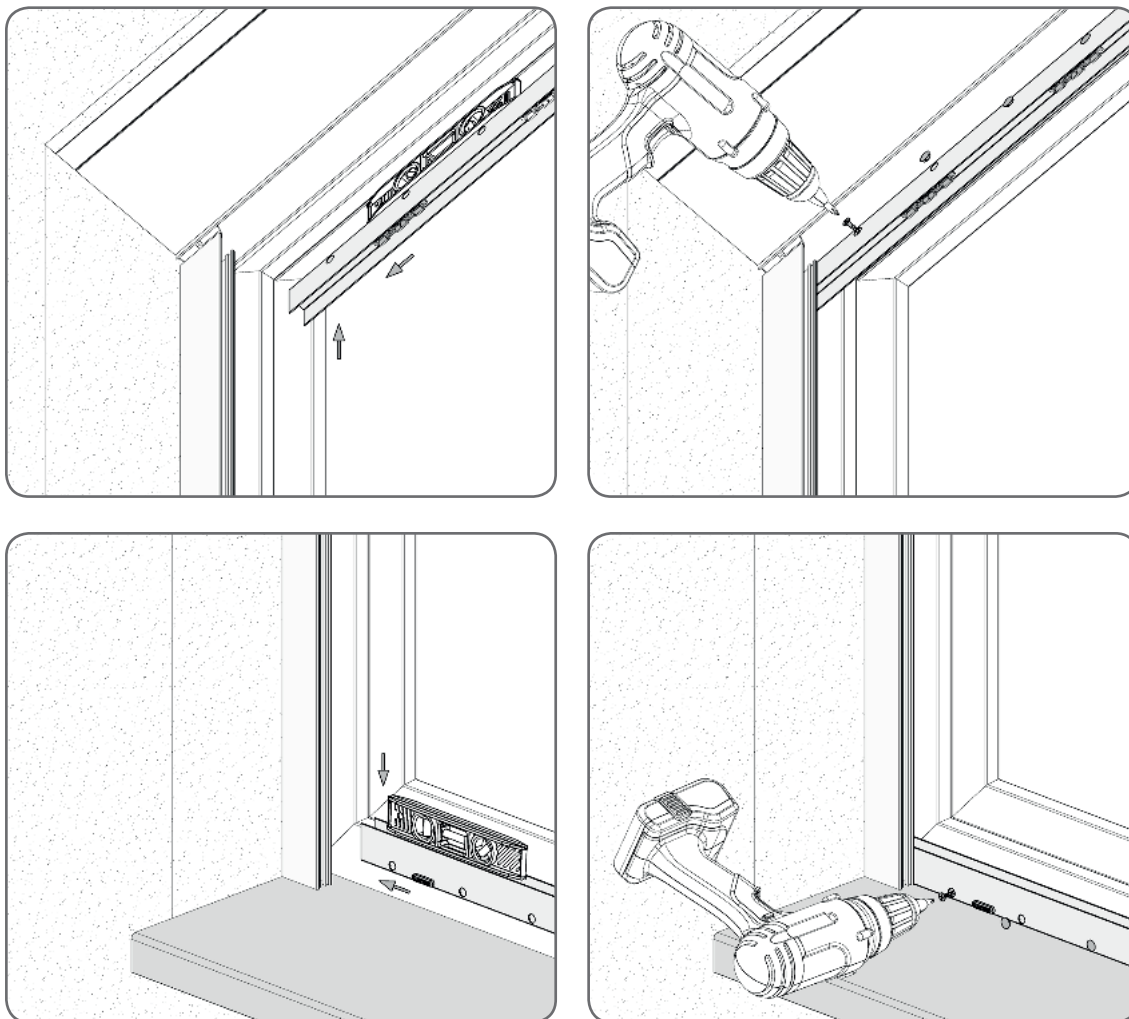
After the initial determination of the cords tensioning, check their tension by repeated opening and closing of the insect screen. Adjust the tension if necessary. Then click the masking profile on to tensioning profile.



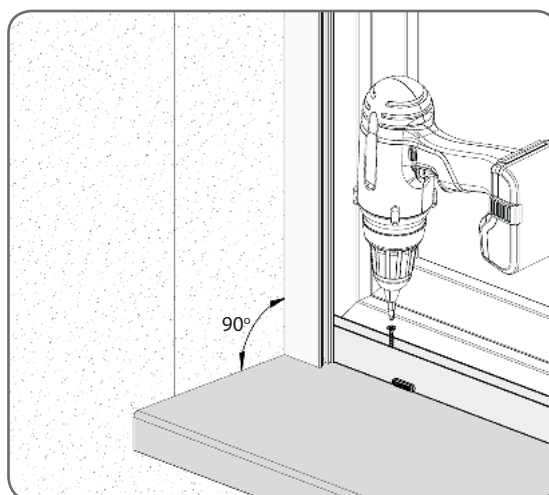
4.3.2. Insect screen mounted with roller shuttre


4.3.2.1 Adaptive and under plaster roller shutter systems with PPM053 guide channels.

In to **PPMO 53** guide channel chamber insert top and bottom guide channel of the insect screen, next set it horizontal and screw it and then secure mounting holes with side locks.

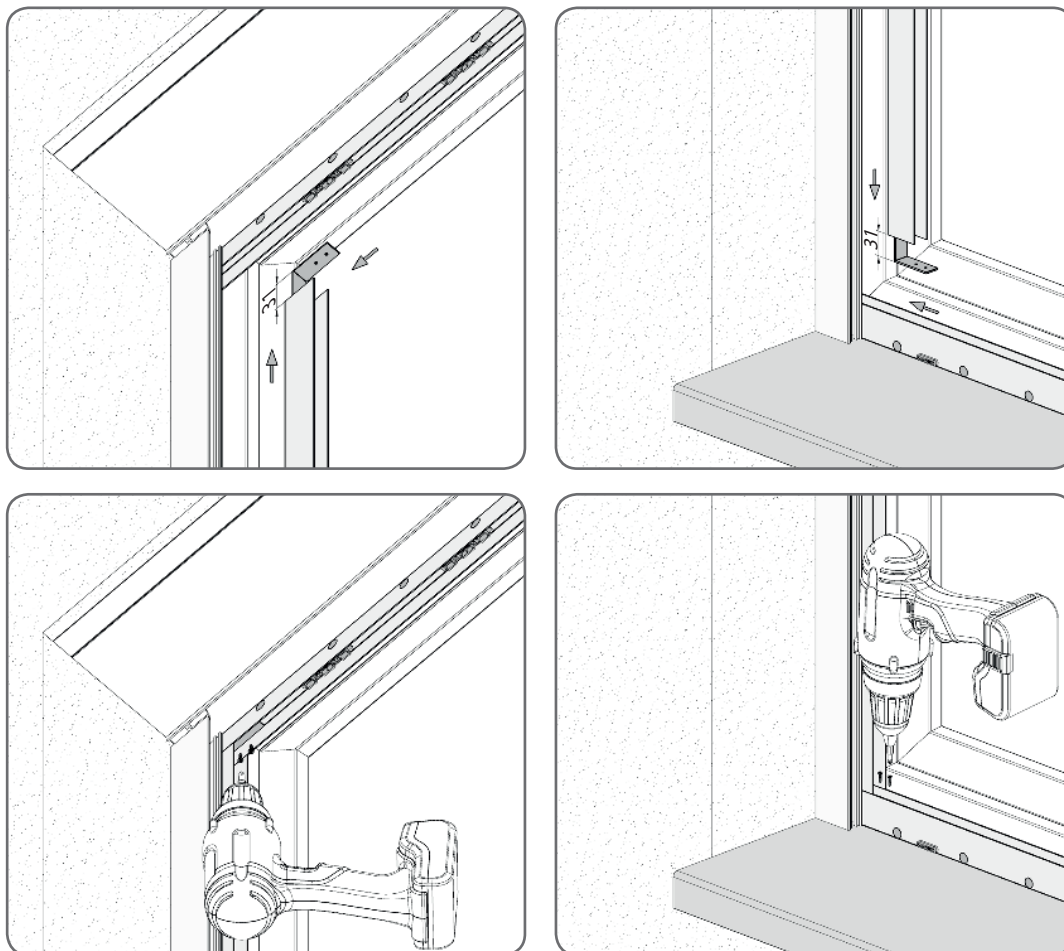


 *It is possible to screw the bottom profile directly to the surface.*

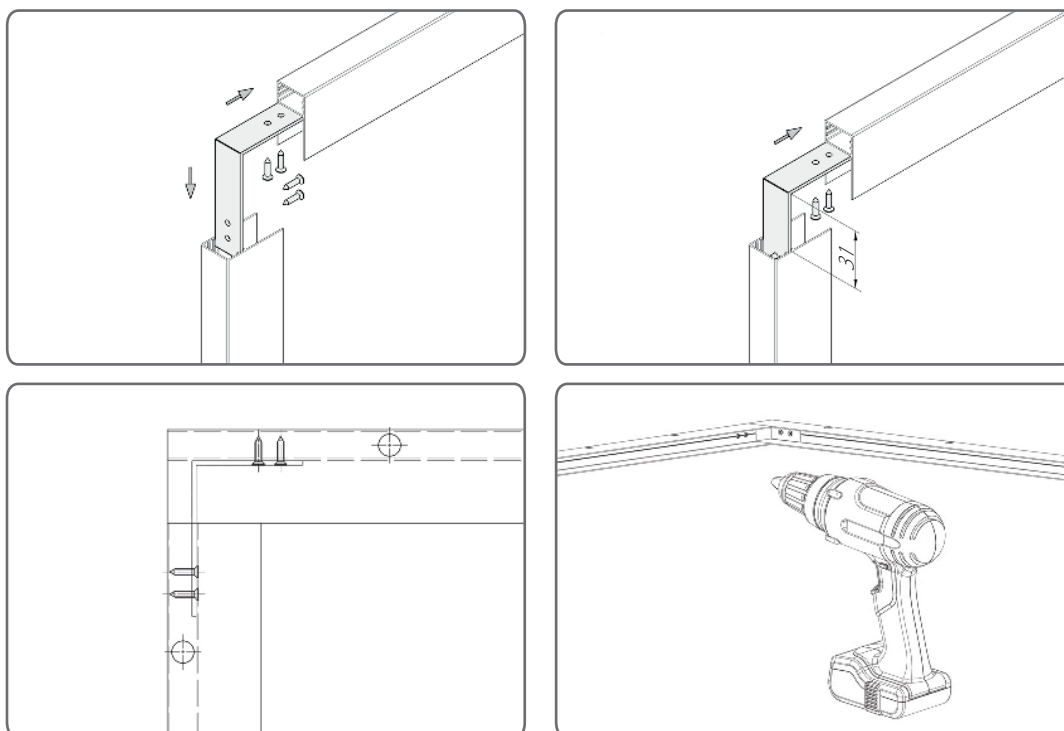


 *Make sure that the surface to which the guide channel will be screwed is as even as possible, otherwise there is a risk associated with the poor functioning of the the insect screen.*

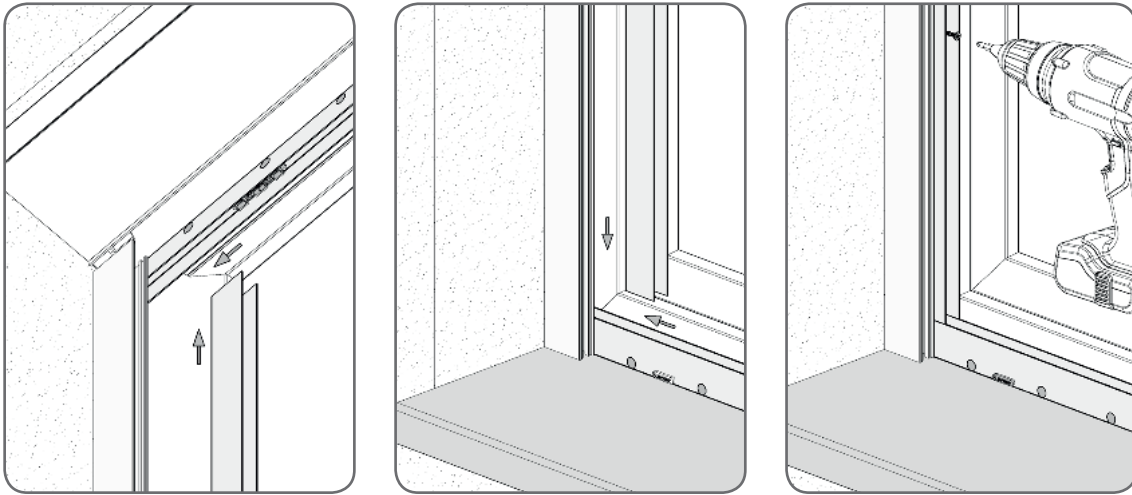
Vertical side guide channels of insect screen with mounted angles, insert in chamber of **PPMO 53** guide channel, next set it vertical and screwed.



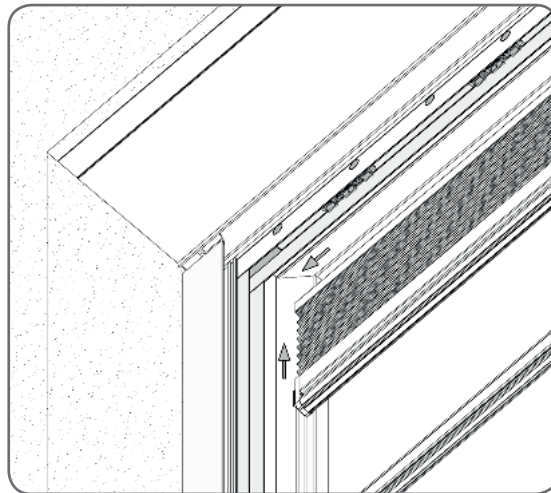
 *Install the angles according to the diagram below.*



 *It is possible to screw the side vertical guide channel directly to the PPMO 53 guide channel without using angles.*




The MPH set should be clicked on the latches mounted in the guide channels.

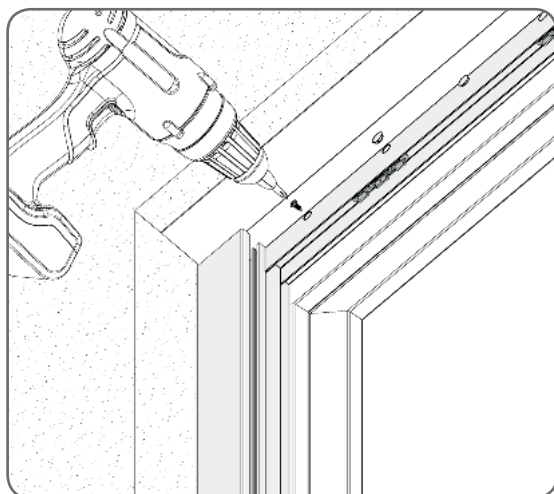
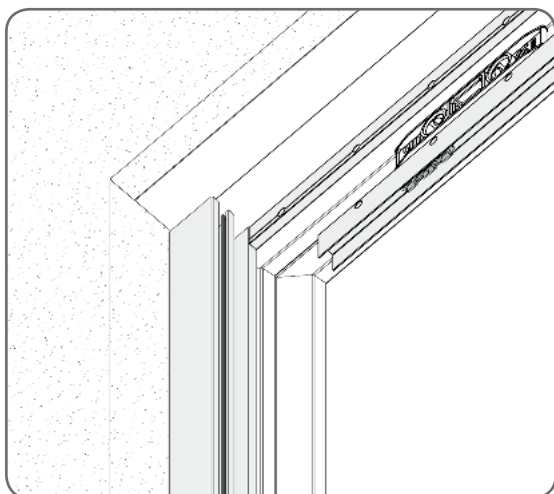
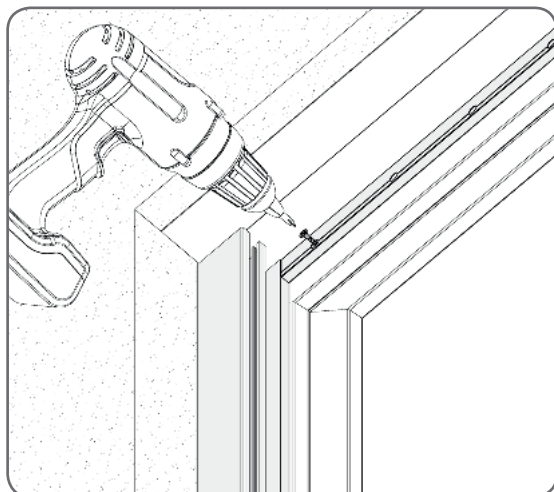
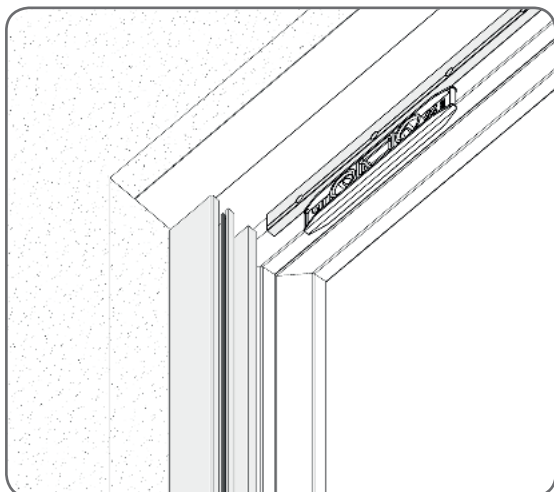


The remaining activities should be performed in accordance with the stages described in section 5.1.

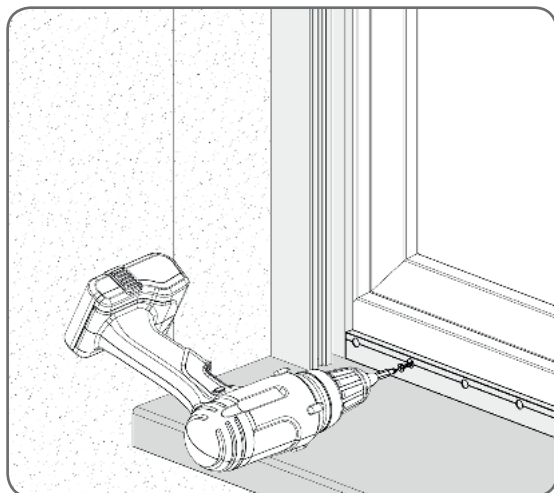
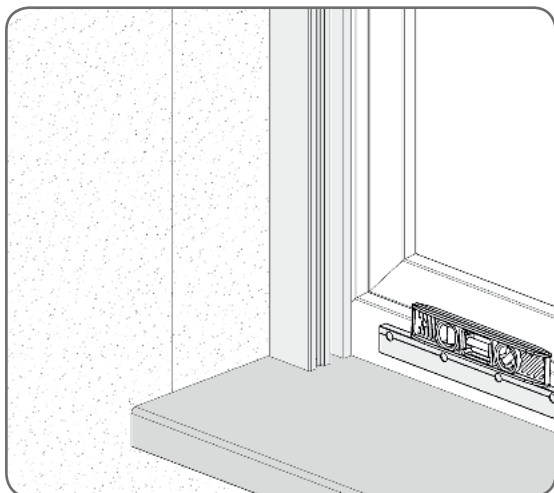
4.3.2.2. Top-mounted roller shutter system with PPMO 60/12, PPMO 60/17 guide channels.

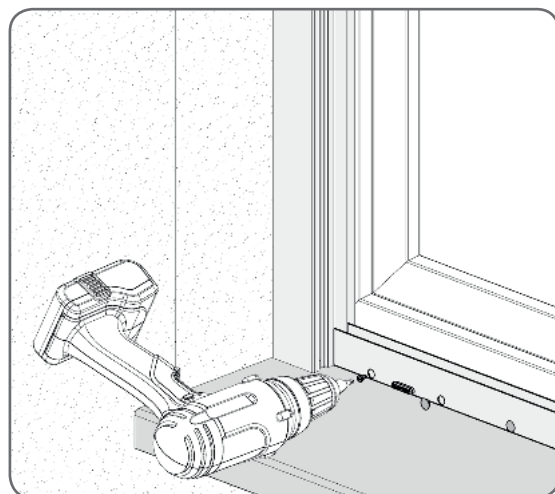
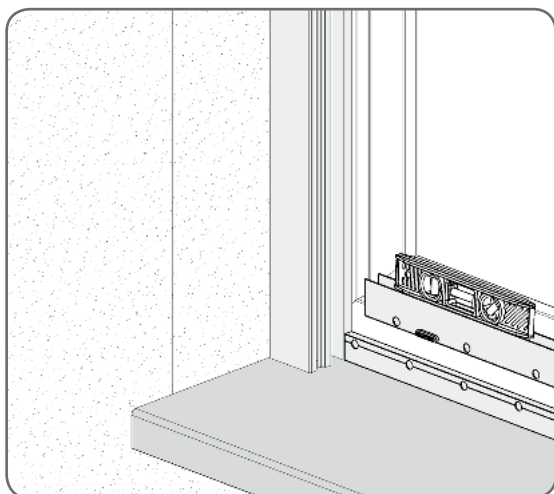
At the top, between the **PPMO 60/12** or **PPMO 60/17** guide channels, screwed the horizontal rail into place. Then screw the insect screen guide channel directly to the rail and secure mounting holes with side locks.

 *Special care should be taken to ensure that the chambers in the roller shutter guides and the mosquito net overlap.*

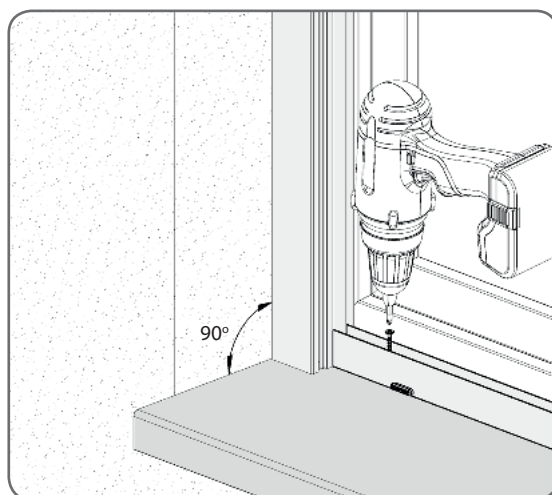



Repeat the same steps downstairs.



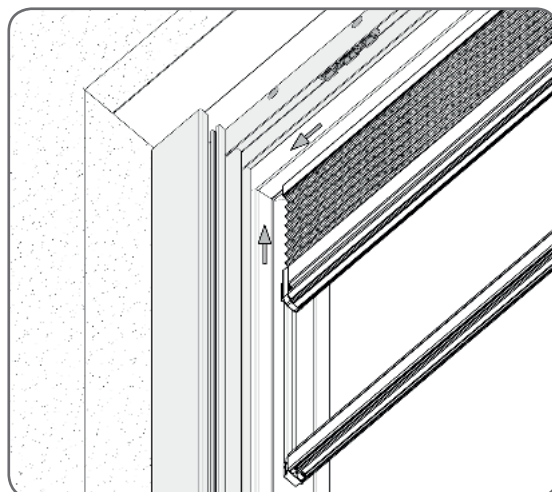


 *It is possible to screw the bottom guide channel directly to the surface without using the rail.*



 *Make sure that the surface to which the guide channel will be screwed is as even as possible, otherwise there is a risk associated with the poor functioning of the insect screen.*

The MPH set should be clicked on the latches mounted in the guide channels.



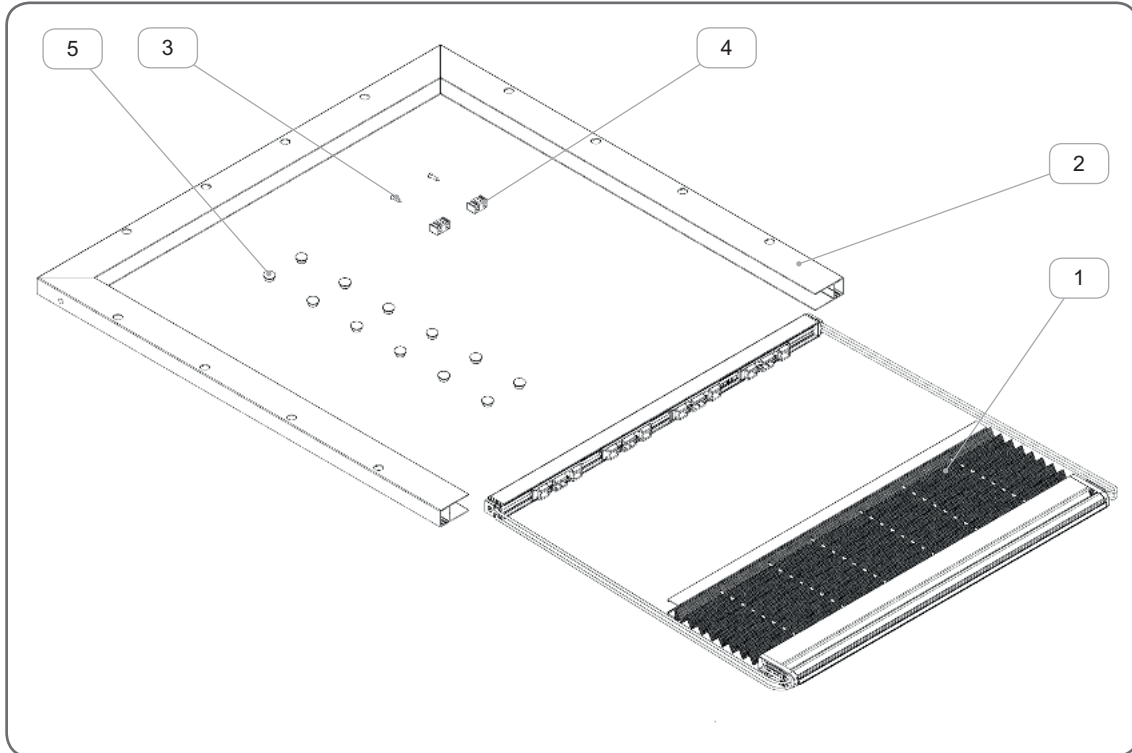
The remaining activities should be performed in accordance with the stages described in section 5.1.

5. INSECT SREEN WITH TOP TENSION

5.1. Insect screen components

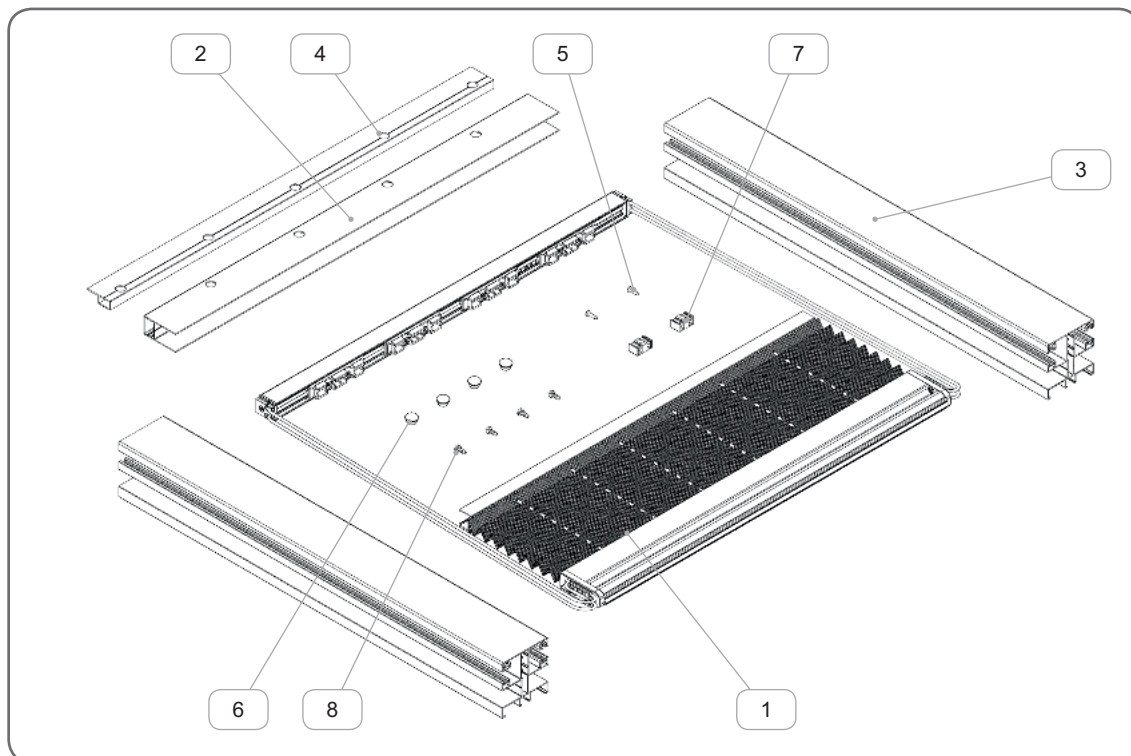
 Before the installation it is necessary to unpack the item and check its quantity and quality.

5.1.1. Insect screen mounted independently



	Name of the component	Catalogue code
1	MPH set	
2	Insect screen frame	
3	Galvanized screw	WKR/Zn/S/2,9x13
4	Cord grommet	PS MPH
5	Cups (may occur depending on the method of installation)	ZP 10/3,5

5.1.2. Insect screen mounted with top-mounted roller shutter system with PPMO 60/12, PPMO 60/17 guide channels.



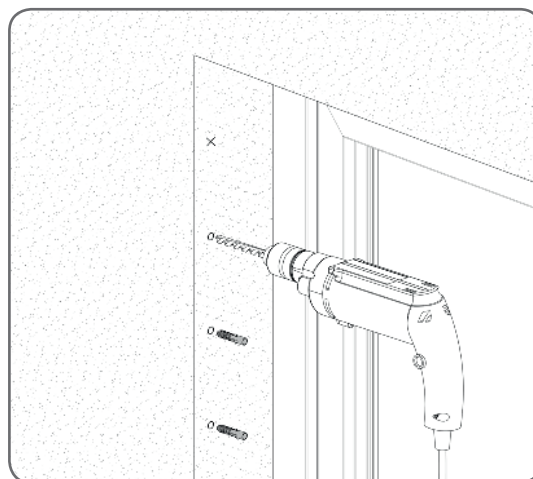
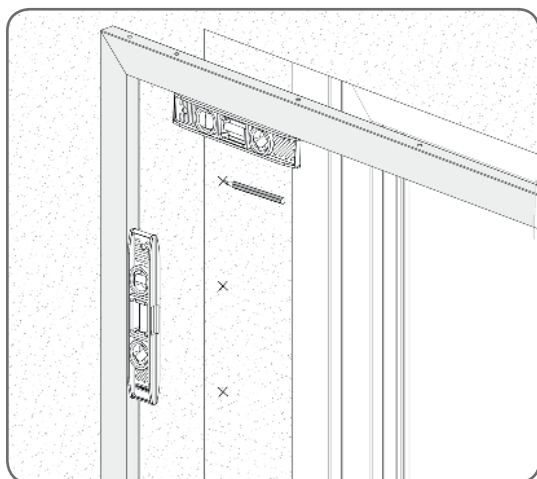
	Name of the component	Catalogue code
1	MPH set	
2	Guide channel	PP/C MPH
3	Guide channel with chamber for insect screen	PPMO 60/12, PPMO 60/17
4	Rail	SZJ-1/10 MRP, SZJP-1 MRP
5	Galvanized screw	WKR/Zn/S/2,9x13
6	Cap	ZP 10/3,5
7	Cord grommet	PS MPH
8	Galvanized screw	WKR/Zn/W/3,5x9,5

5.2. Scheme for installation of the insect screen

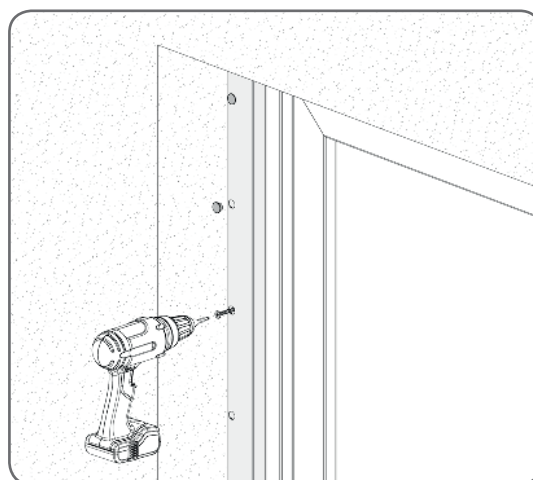
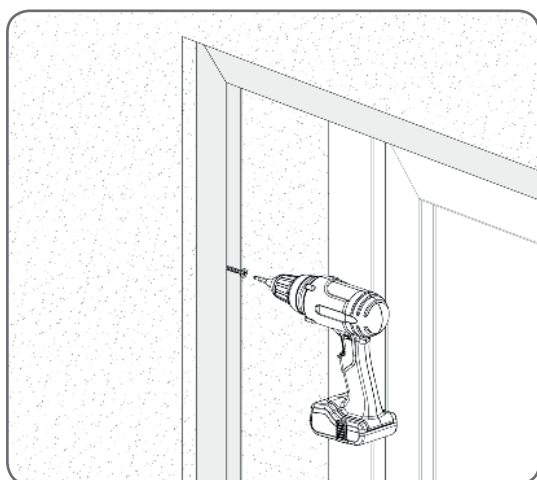
5.2.1. Insect screen mounted independently

5.2.1.1. Mounting in the recess

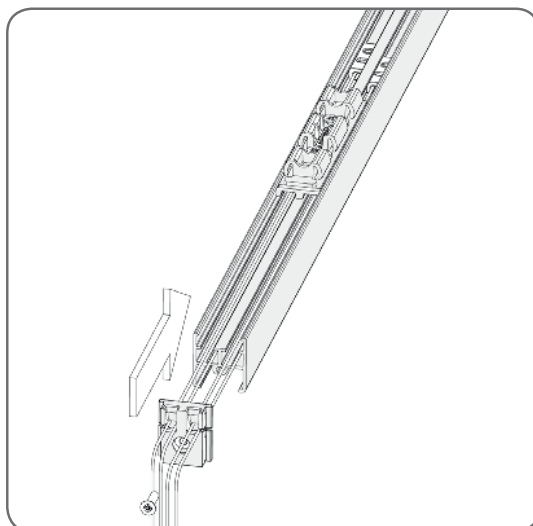
For the vertically and horizontally set insect screen frame designate the location of holes to screw this frame. Insert the dowels into the drilled holes.



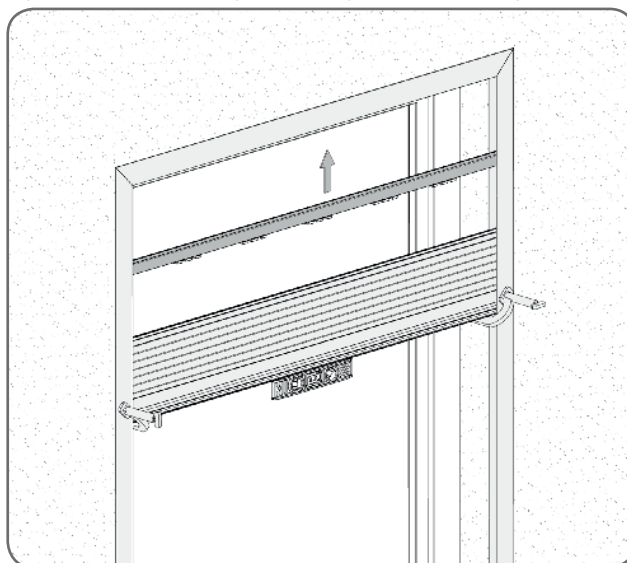
Screw the entire frame to the wall, or directly to the window



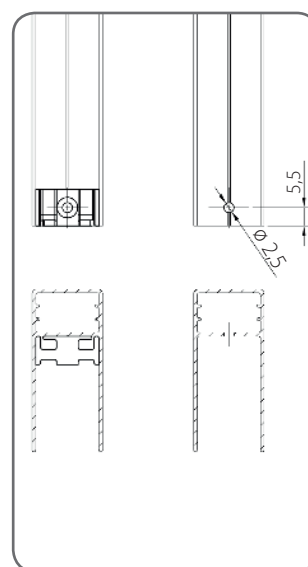
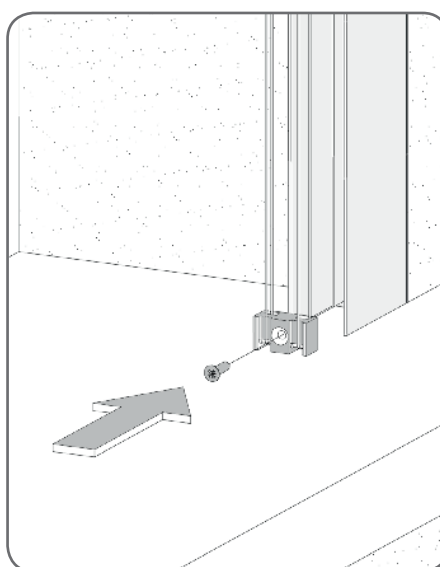
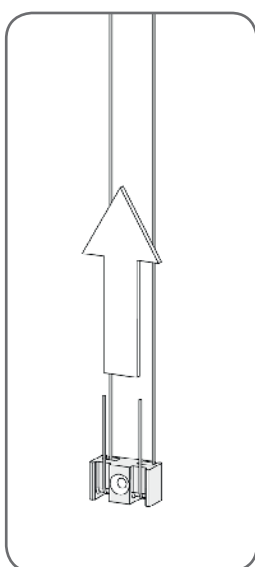
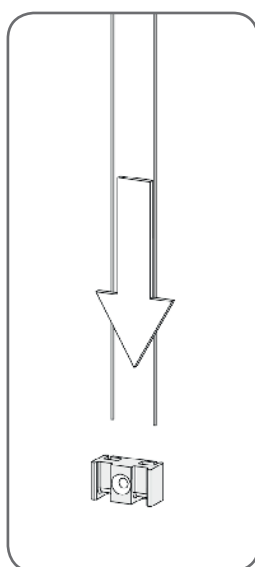
Thread the cords through the tension profile and plugs.



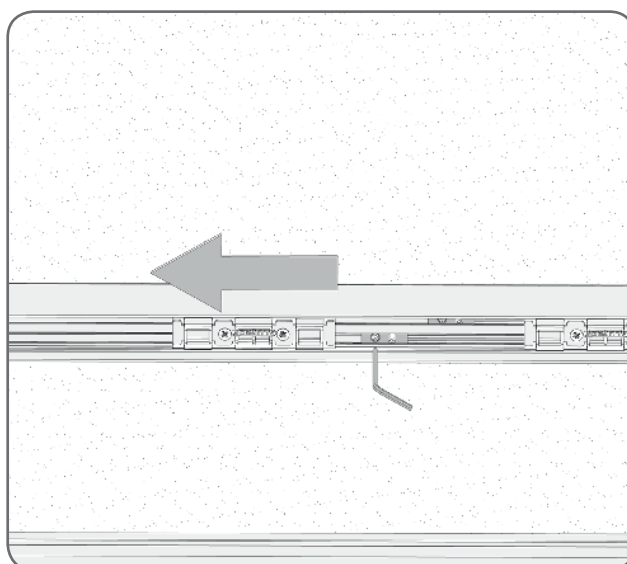
Place the set into the mounting position parallel to the frame profile. Snap on the tension profile into the frame.



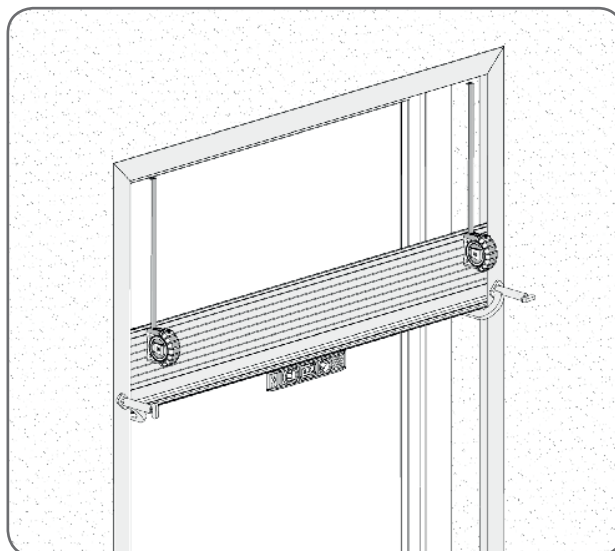
Thread the cords through the cable grommets. Then screw them to the profile.



Tighten the cord

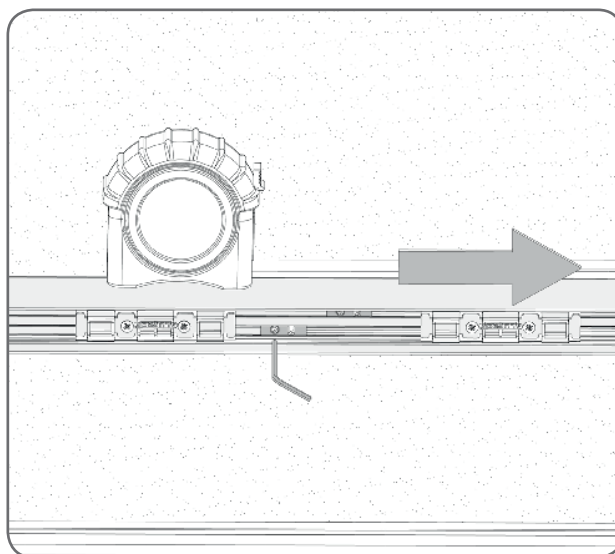


Measure the distance from the tension profile to the set.

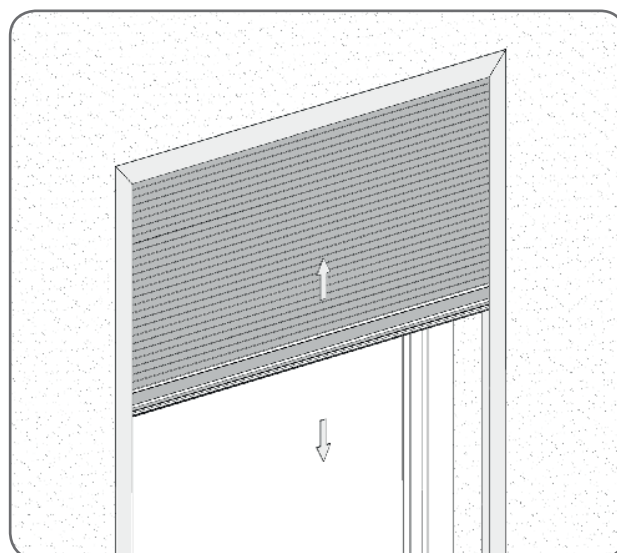
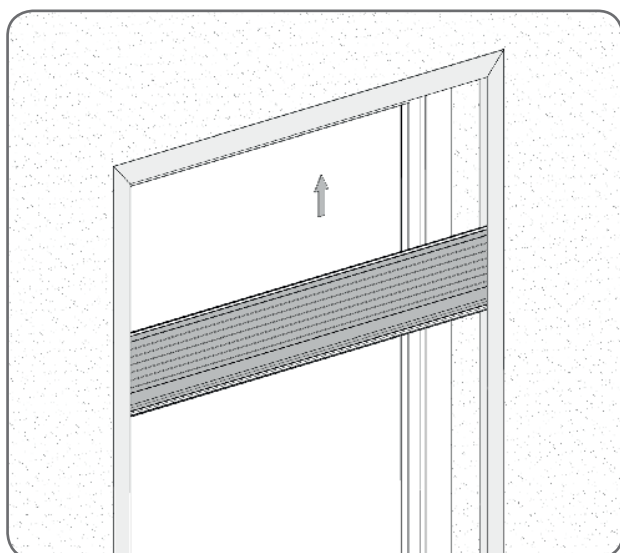


! *The measured distance on both sides must be the same.*

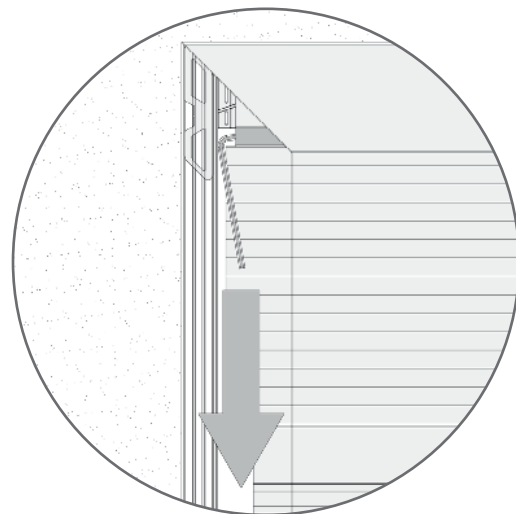
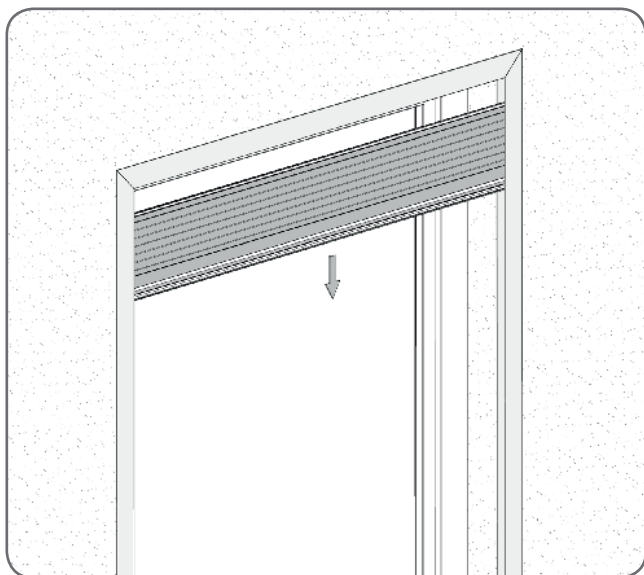
Loosen the cords by the previously measured distance.




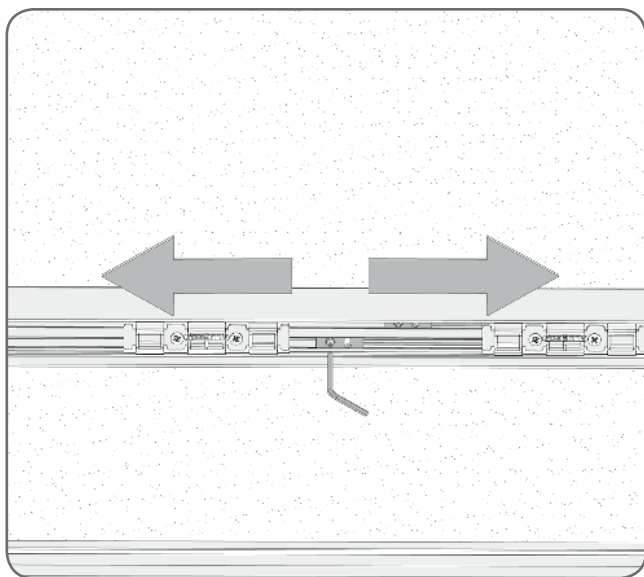
Snap on the set to the frame and check the operation.




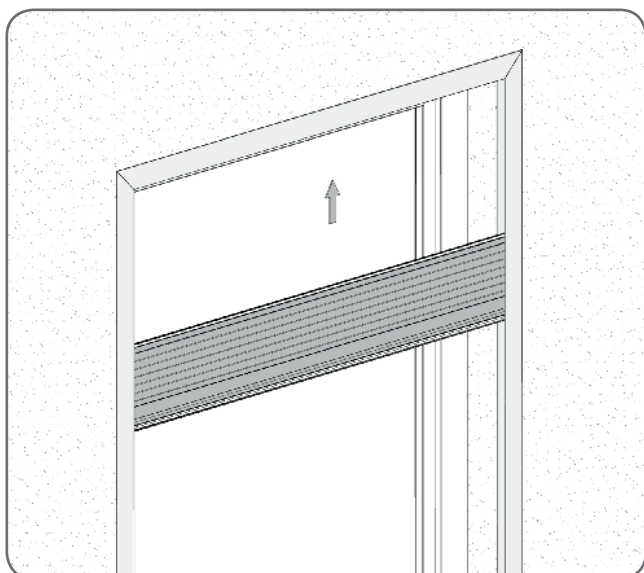
Carry out any adjustments. Gently pull out the set, adjust the tension of the strings and then snap on the set.



 *Allen key can be use to pull out.*

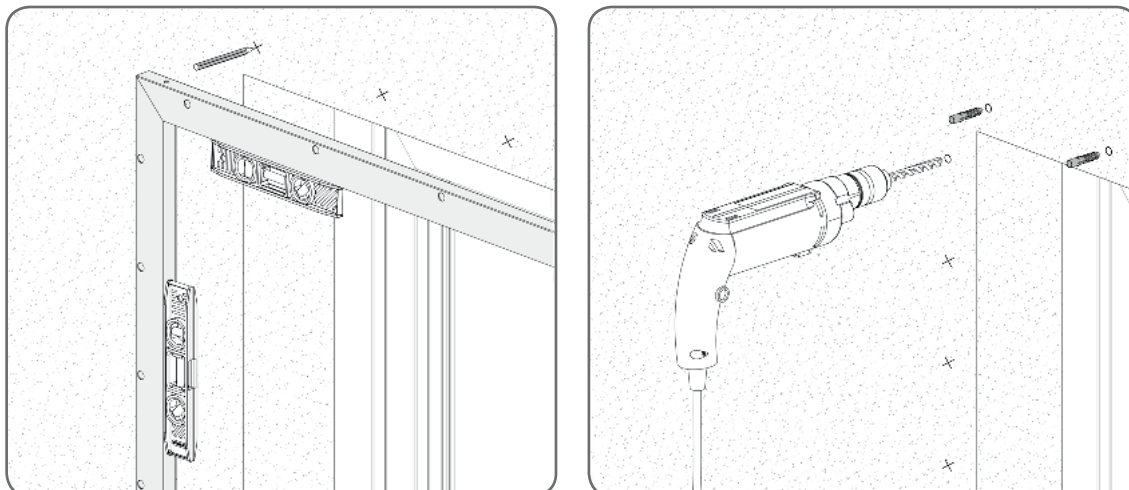


 *Adjust the tension of the cords in the tensioning profile by moving left/right the plastic endings. After the adjustment, tighten the screws with the Allen key.*

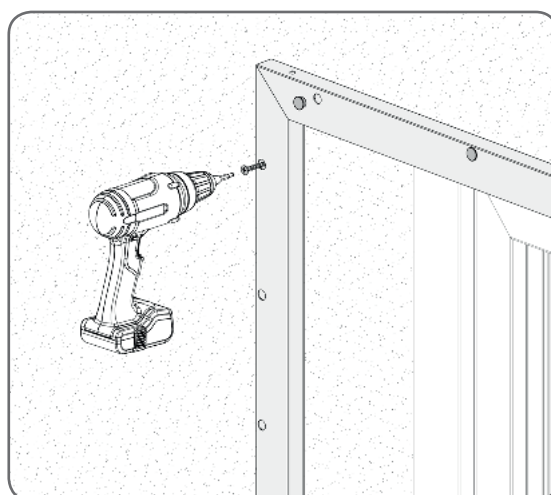


5.2.1.2. Wall mounting

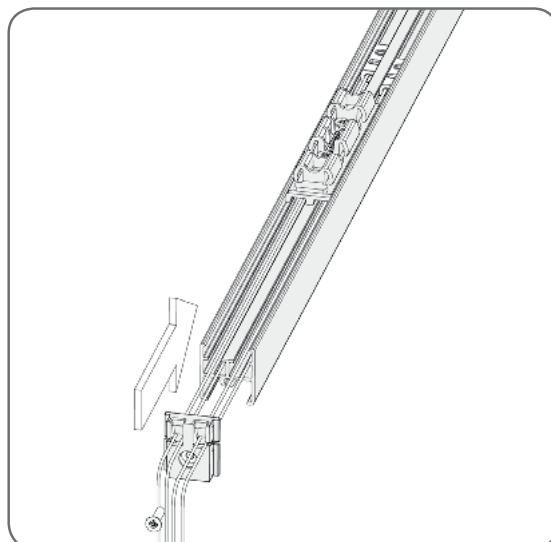
For the vertically and horizontally set insect screen frame designate the location of holes to screw this frame. Insert the dowels into the drilled holes.



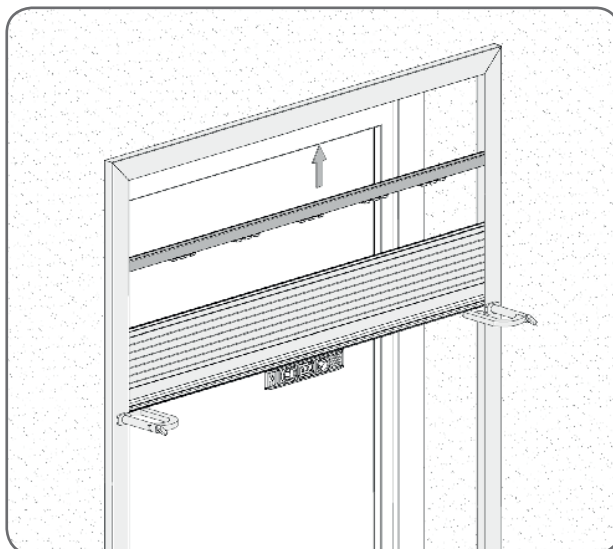
Screw the entire frame to the wall and secure mounting holes with side locks.



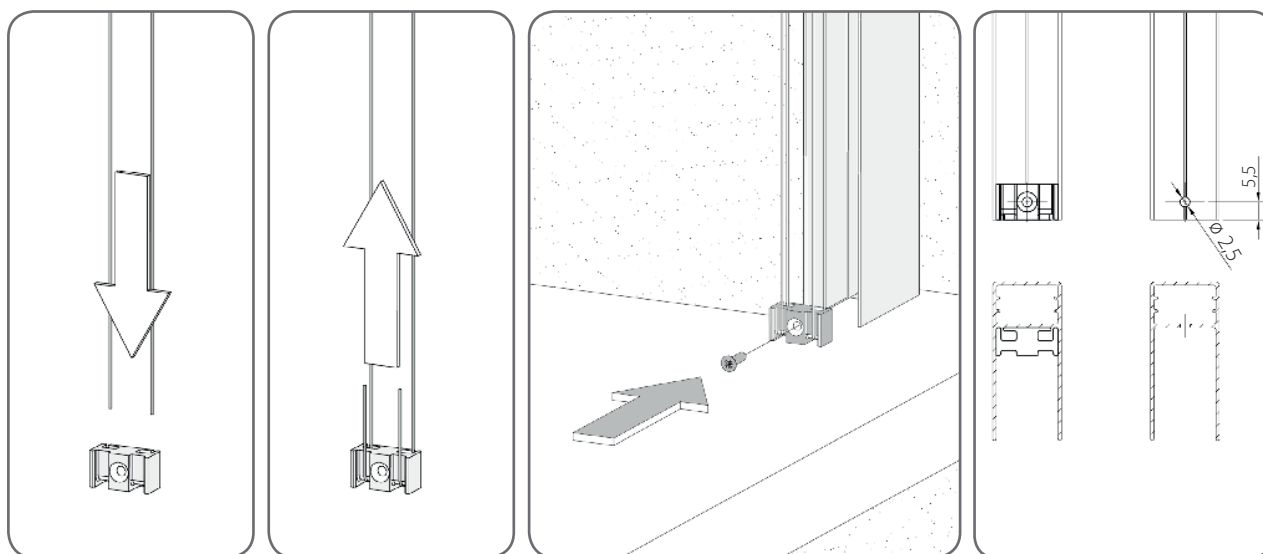
Thread the cords through the tension profile and plugs.



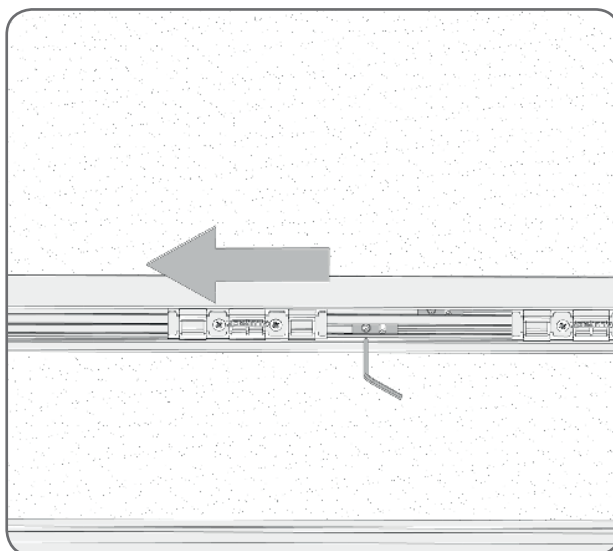
Place the set into the mounting position parallel to the frame profile. Snap on the tension profile into the frame.



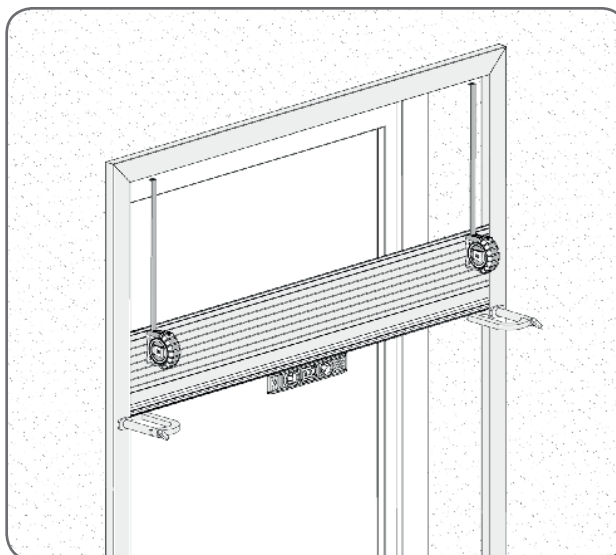
Thread the cords through the cable grommets. Then screw them to the profile.




Tighten the cord

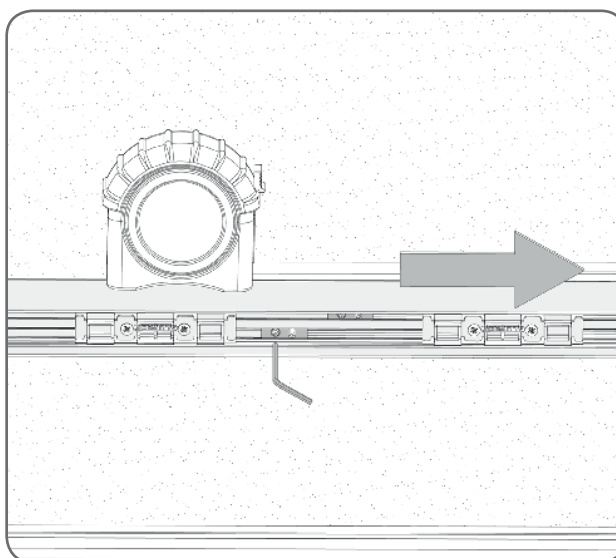


Measure the distance from the tension profile to the set.

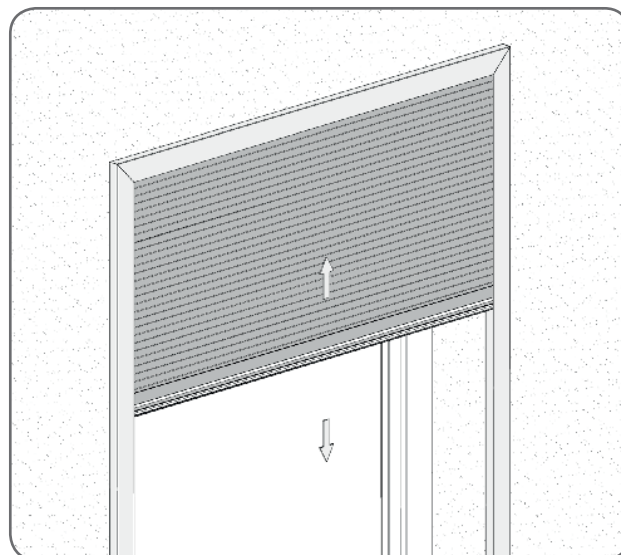
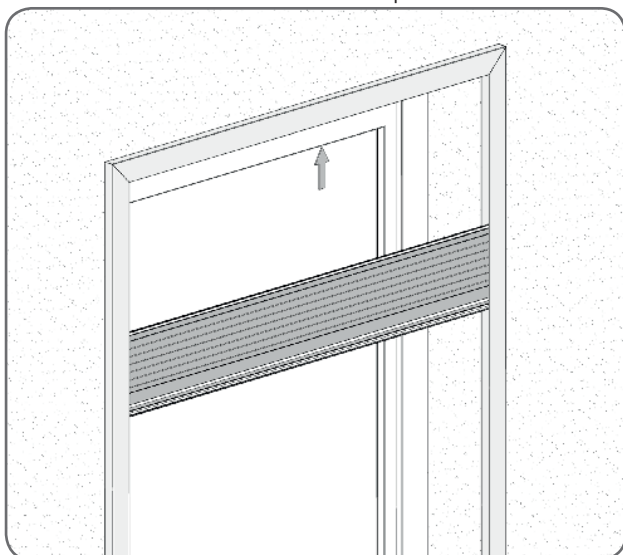


 *The measured distance on both sides must be the same.*

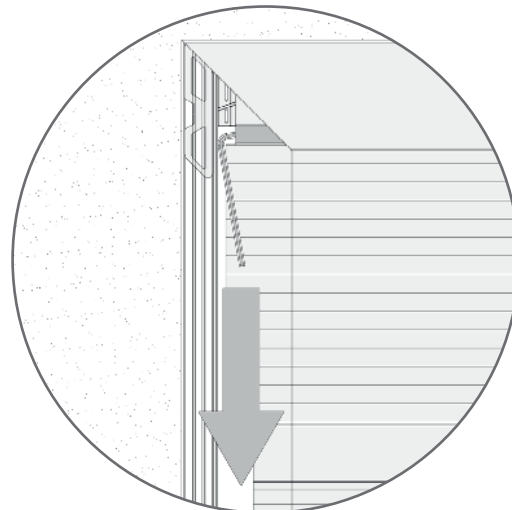
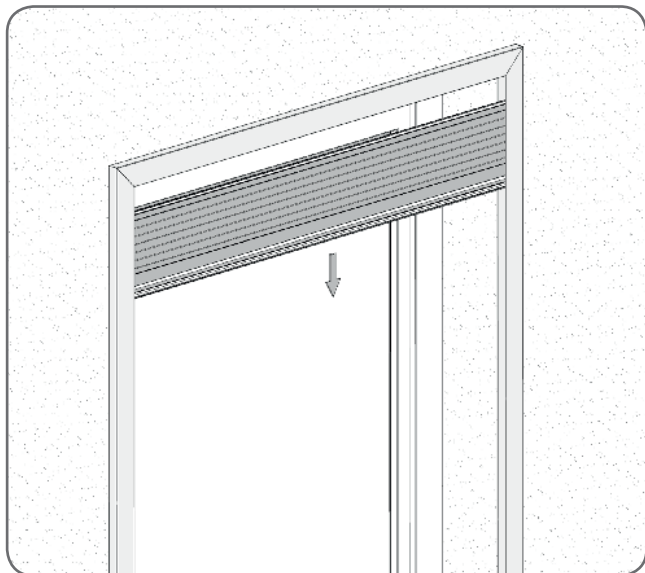
Loosen the cords by the previously measured distance.




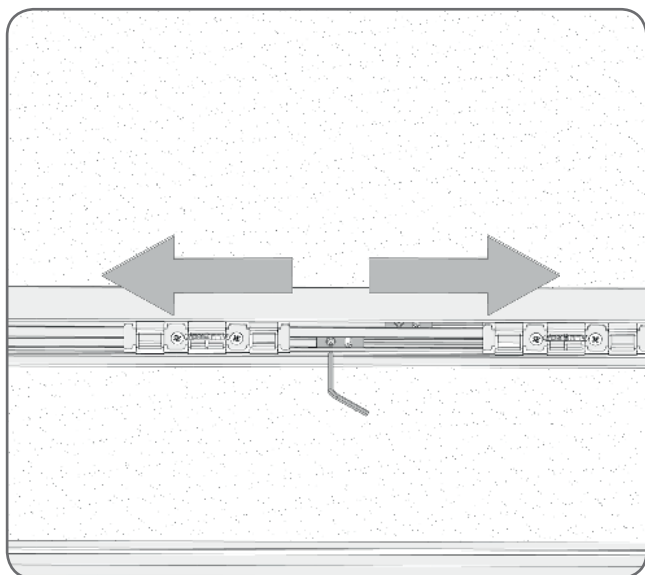
Snap on the set to the frame and check the operation.




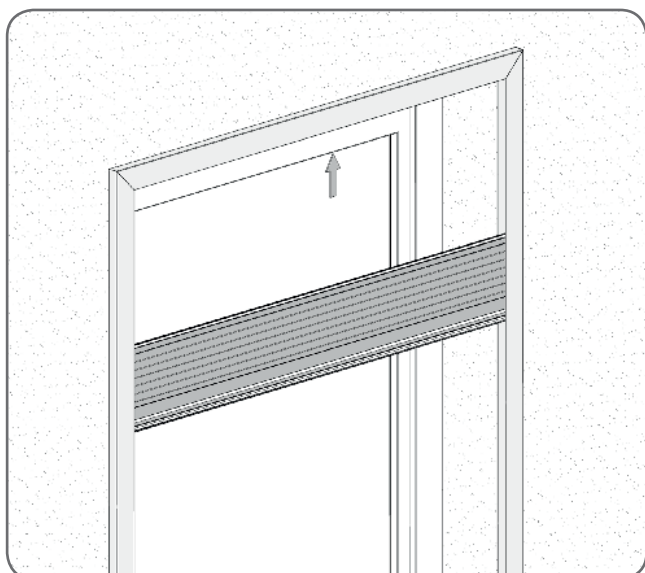
Carry out any adjustments. Gently pull out the set, adjust the tension of the strings and then snap on the set.



 *Allen key can be use to pull out.*



 *Adjust the tension of the cords in the tensioning profile by moving left/right the plastic endings. After the adjustment, tighten the screws with the Allen key.*



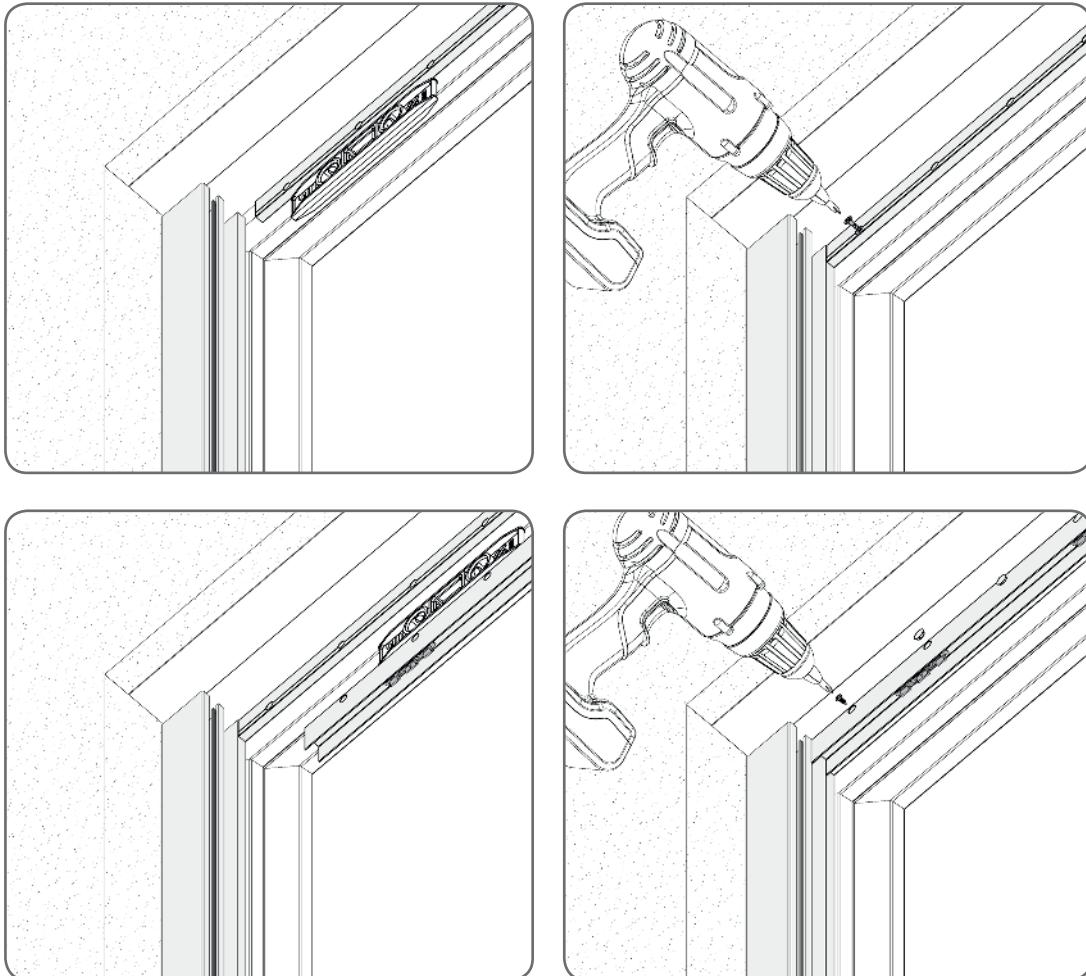
5.2.2. Insect screen mounted with roller shutter

5.2.2.1. Top-mounted roller shutter system with PPMO 60/12, PPMO 60/17 guide channels.

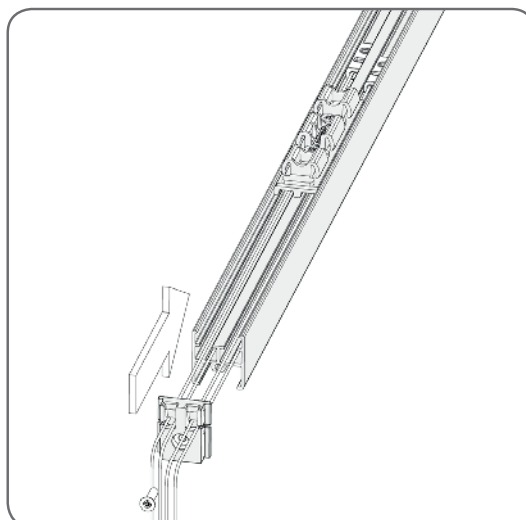
At the top, between the **PPMO 60/12** or **PPMO 60/17** guide channels, screw the horizontal rail into place. Then screw the insect screen guide channel directly to the rail and secure mounting holes with side locks.



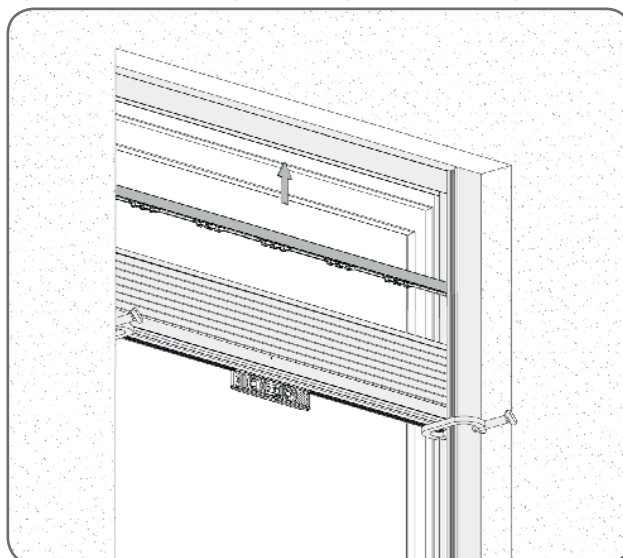
Special care should be taken to ensure that the chambers in the roller shutter guides and the mosquito net overlap.



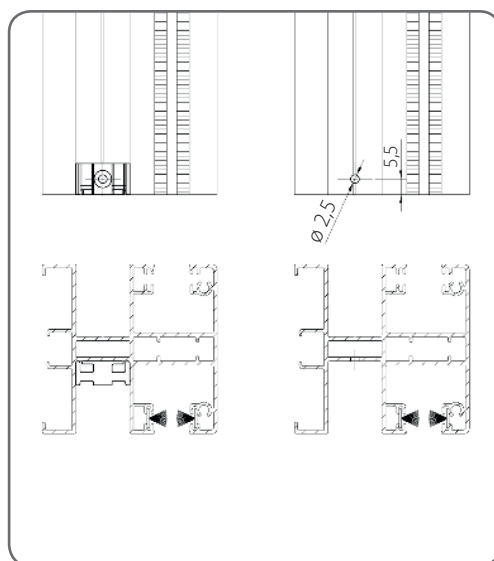
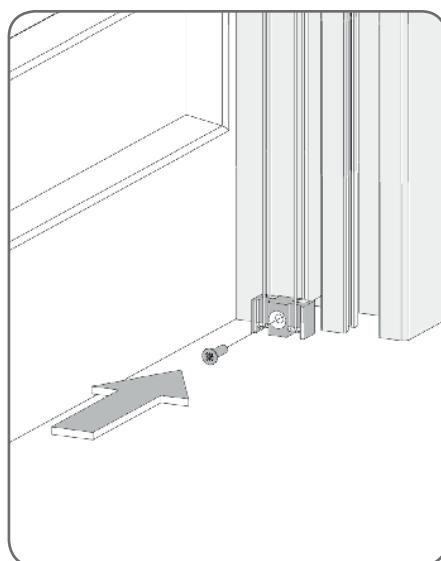
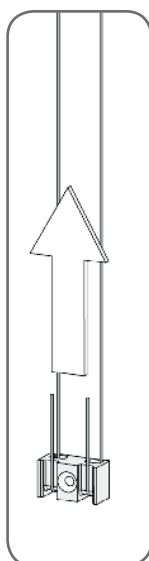
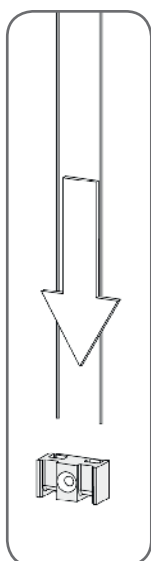
Thread the cords through the tension profile and plugs.



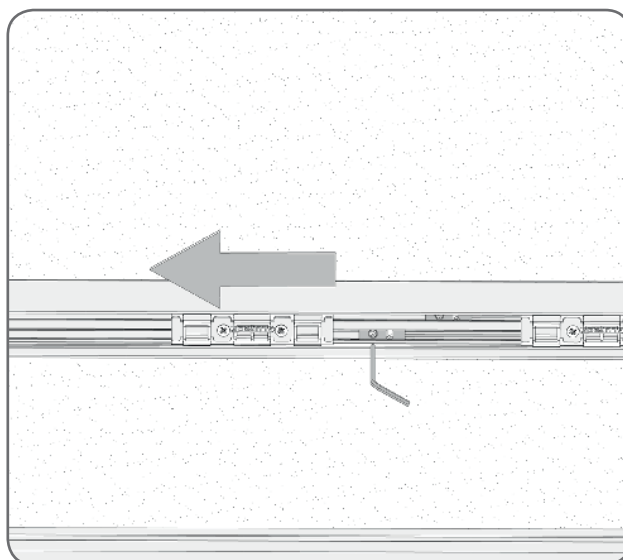
Place the set into the mounting position parallel to the frame profile. Snap on the tension profile into the frame.



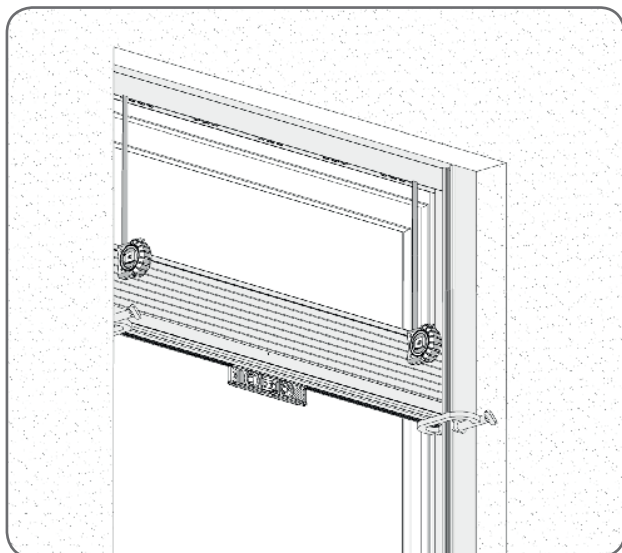
Thread the cords through the cable grommets. Then screw them to the profile.



Tighten the cord

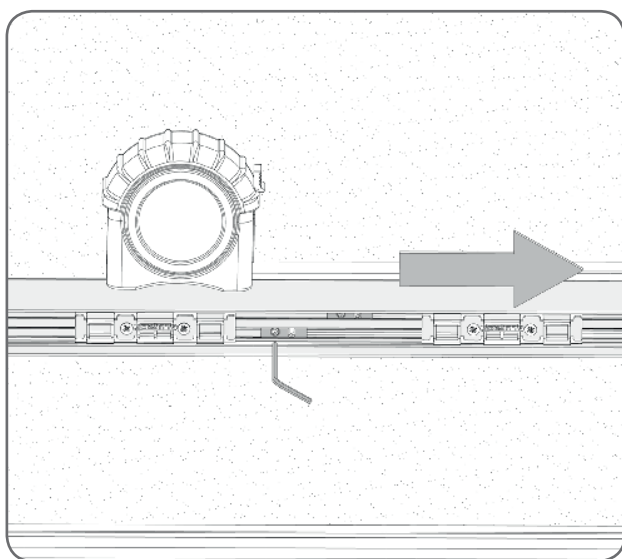


Measure the distance from the tension profile to the set.

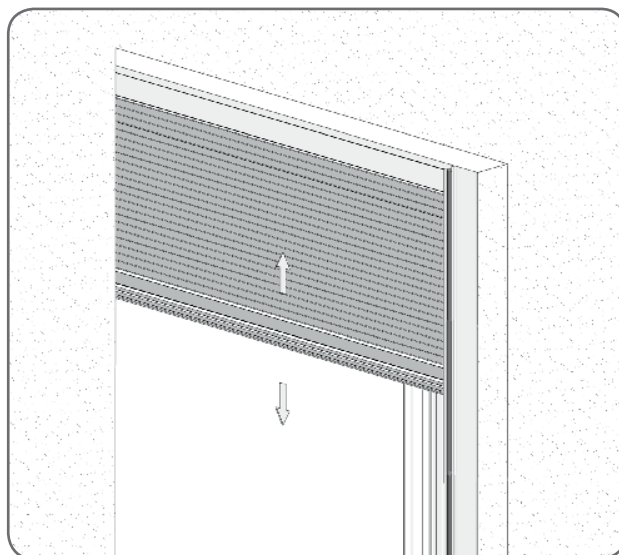
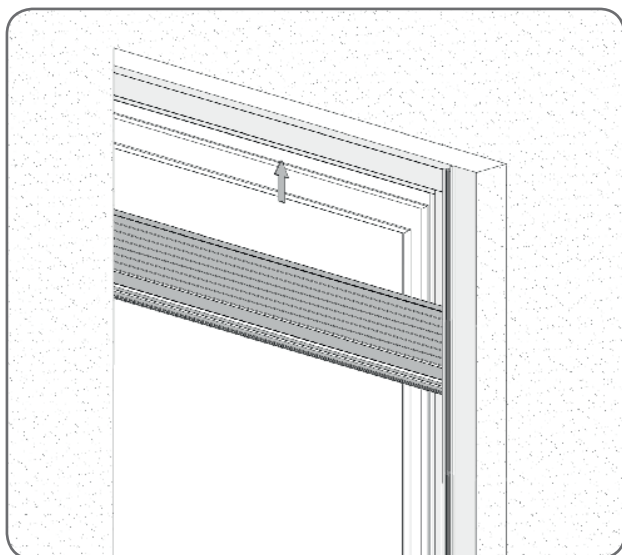


The measured distance on both sides must be the same.

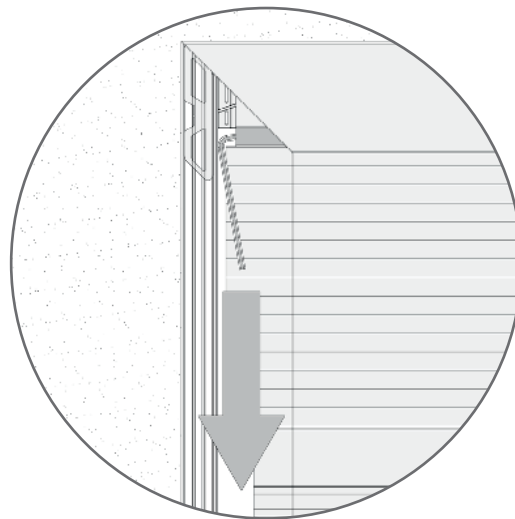
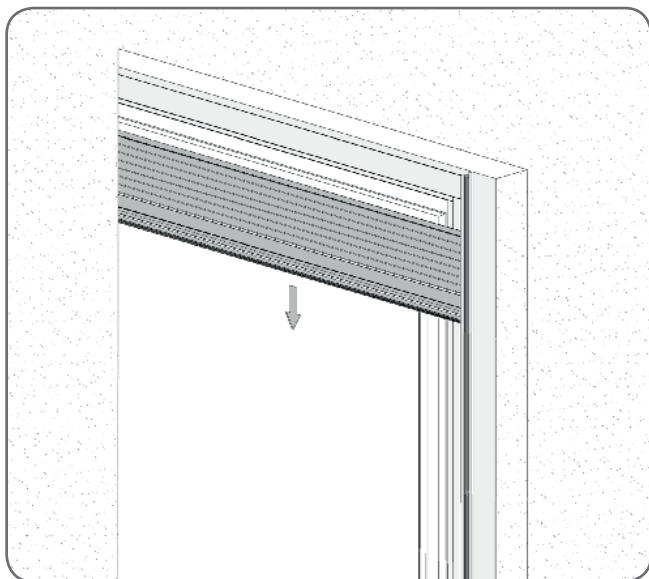
Loosen the cords by the previously measured distance.




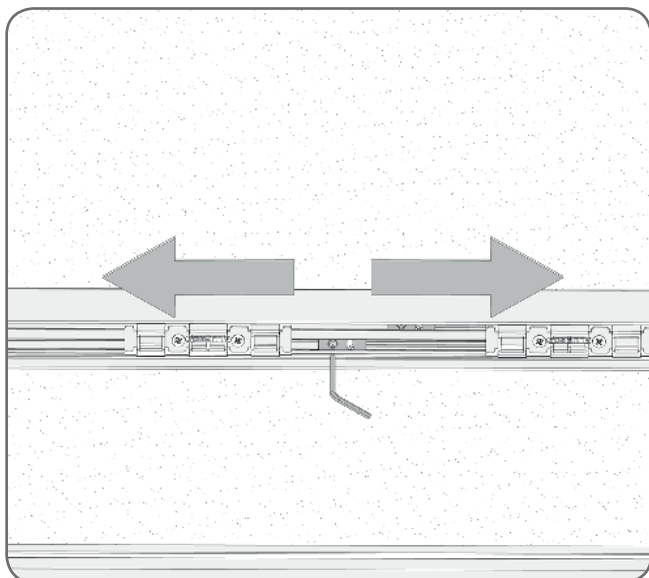
Snap on the set to the frame and check the operation.




Carry out any adjustments. Gently pull out the set, adjust the tension of the strings and then snap on the set.



 *Allen key can be used to pull out.*



 *Adjust the tension of the cords in the tensioning profile by moving left/right the plastic endings. After the adjustment, tighten the screws with the Allen key.*

